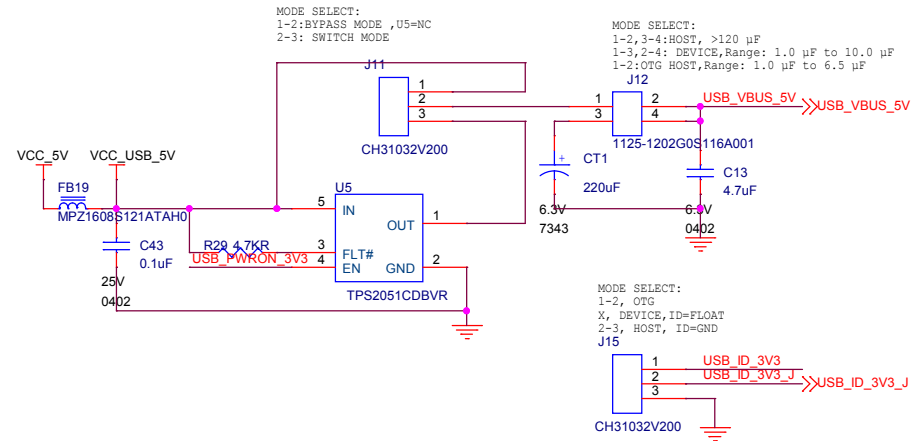
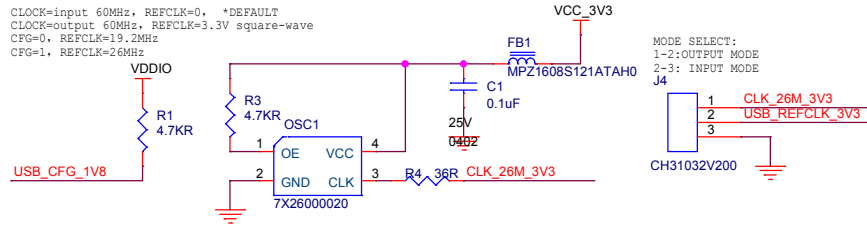
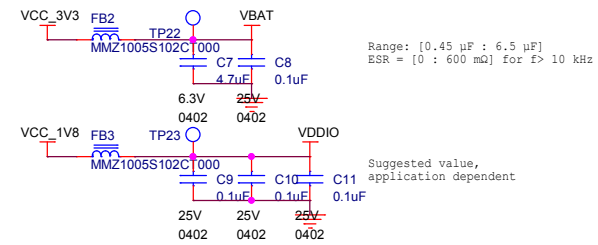
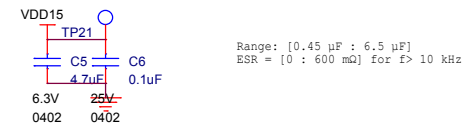
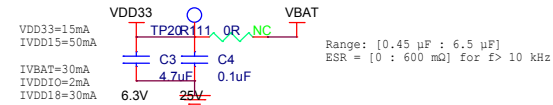
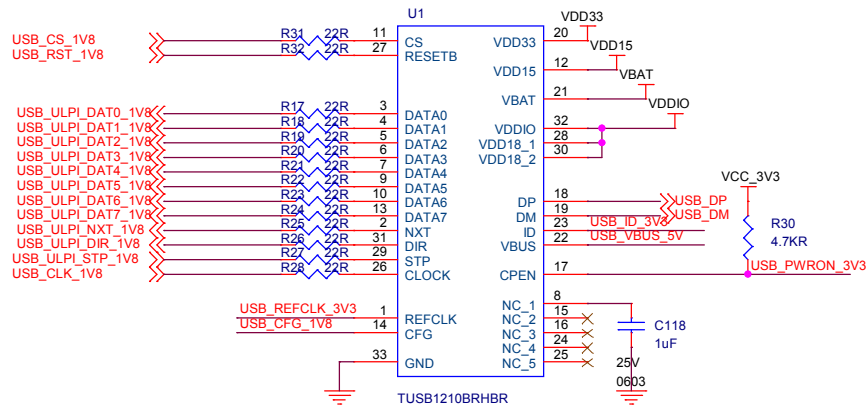


Table 6-4. TUSB121x USB2.0 Product Family Board Layout Recommendations



Title		<Title>
Size	Document Number	Rev
B	<Doc>	<RevCode>
Date:	Wednesday, January 15, 2020	Sheet 1 of 1