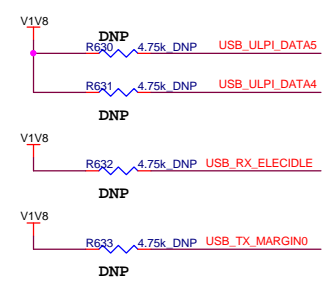
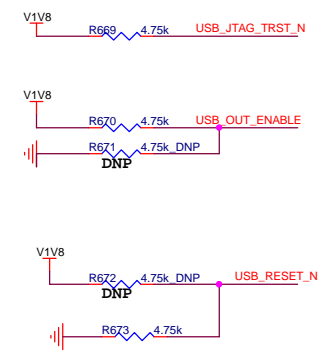


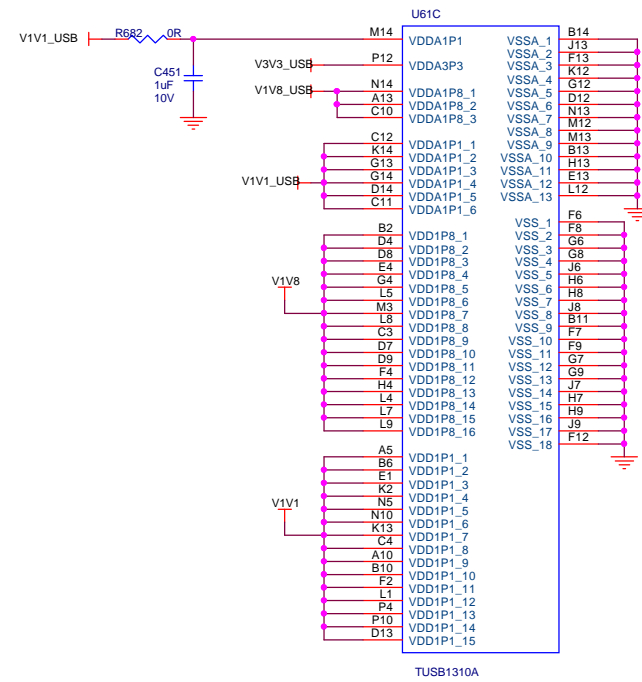
JTAG related circuits removed



oscillator removed here



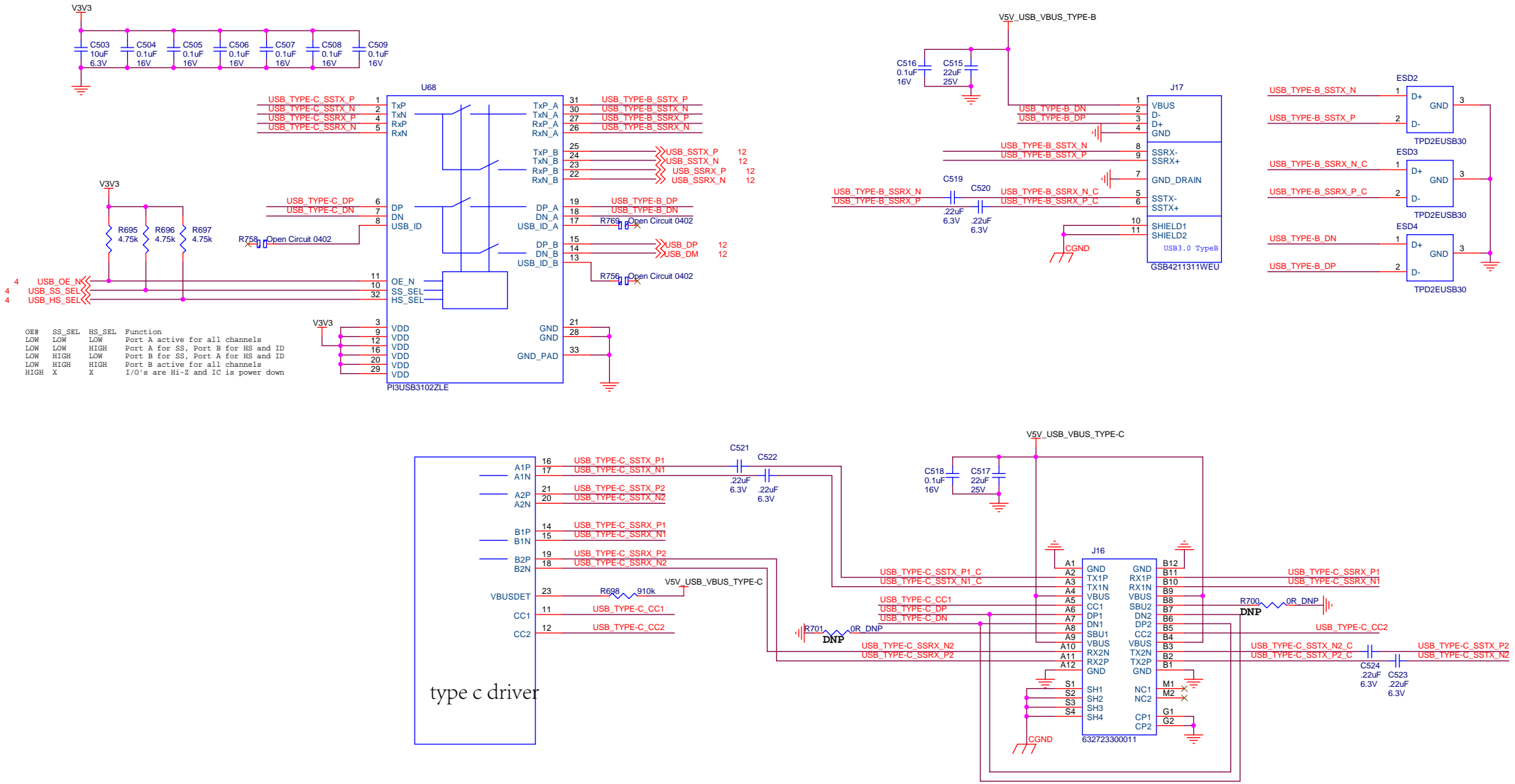
Only for TI support



Decoupling capacitors removed

page13

Only for TI support



Only for TI support

DNP