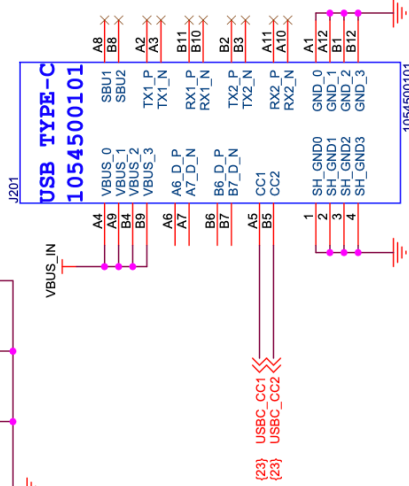
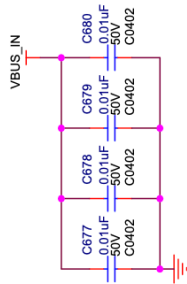


Layout Note:
Place Caps close to connector

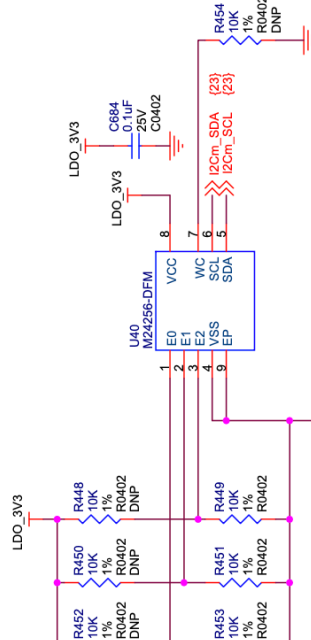
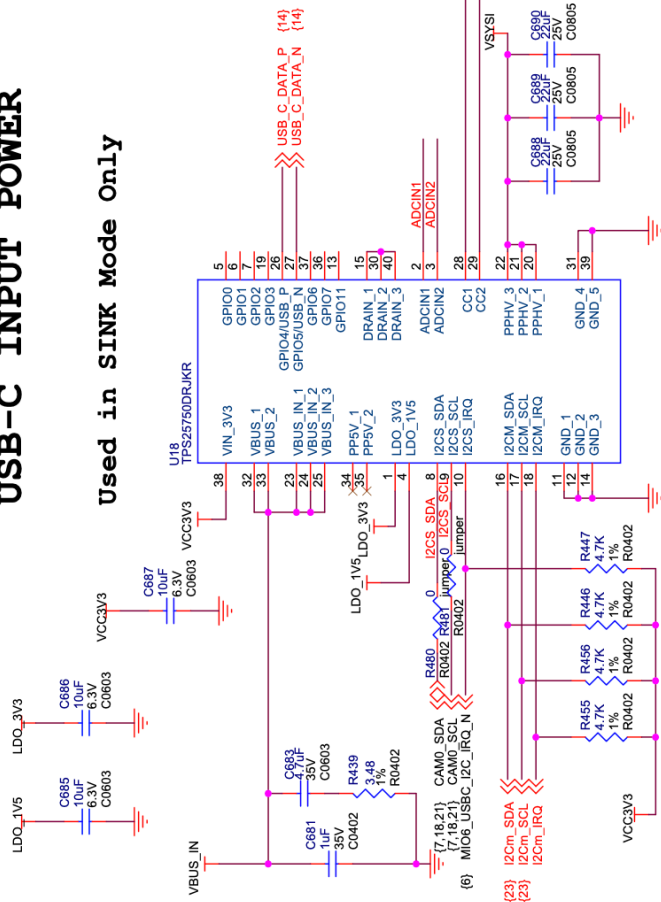


(23) USBC_CC1
(23) USBC_CC2

USB-C INPUT POWER

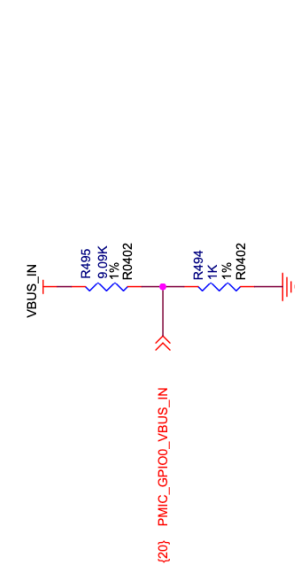
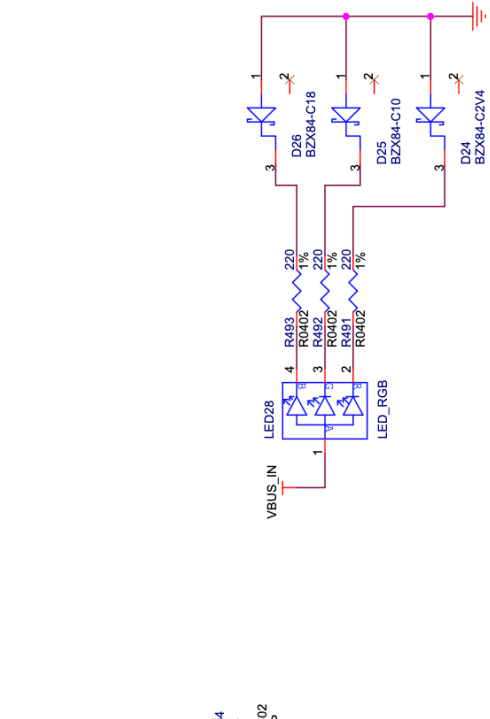
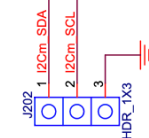
Used in SINK Mode Only

Default Boot Mode:
Negotiate High Voltage
ADCIN1,2 --> coded 7,3,
I2Cs Addr: 0x20



I2C ADDR: 0x50h

Silkscreen
I2Cm_SDA
I2Cm_SCL



Proprietary and Confidential