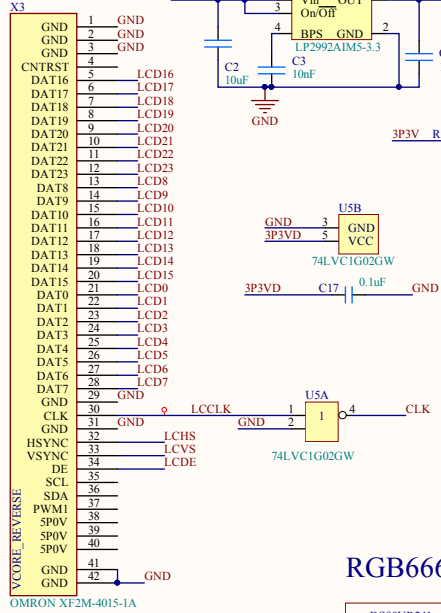
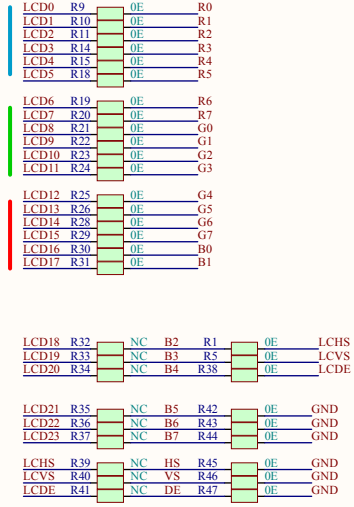


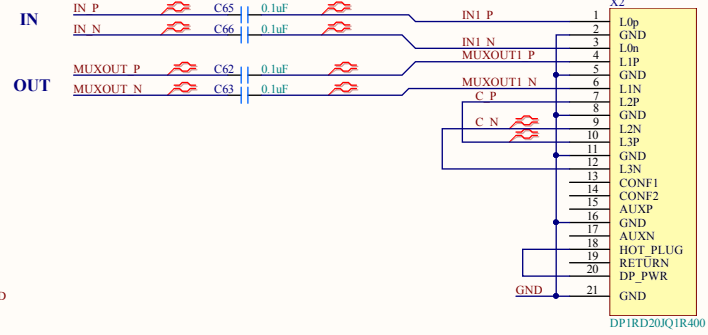
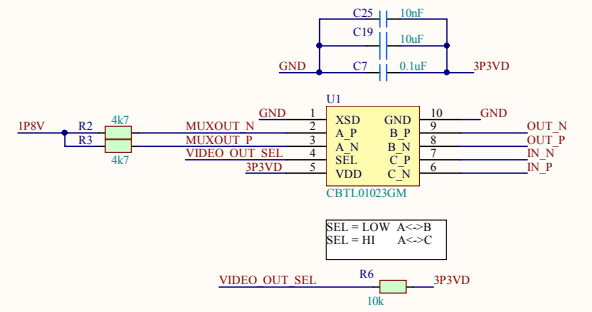
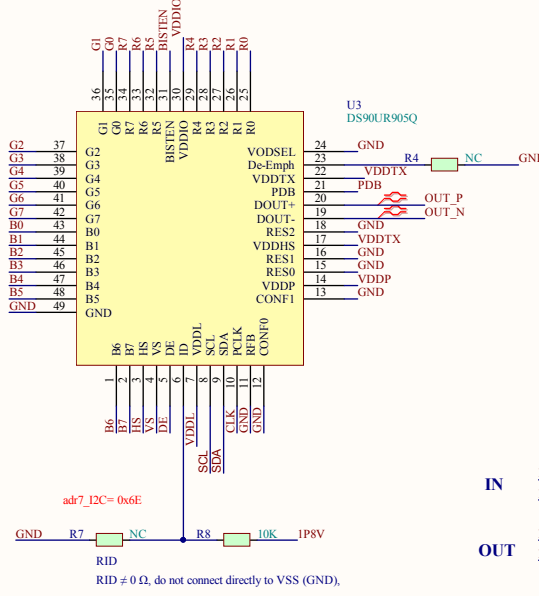
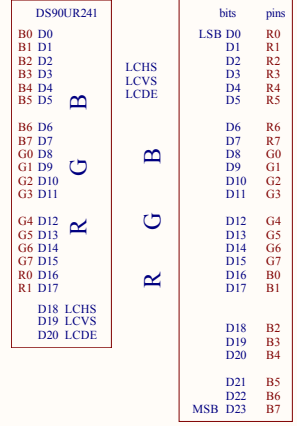
RGB LCD (R-hi, G-mid, B-low)



R G B



RGB666



ALL CAPASITORS 10V, X7R, (unless otherwise specified).
ALL RESISTORS 1% (unless otherwise specified).

Title		
vb_FPD2dev_V3R2.PrjPCB		
Size	Number	Revision
A3	vb_FPD2dev.SchDoc	v3/2
Date:	11/3/2020	Sheet of 1 / 1
File:	Z:\work\vb_FPD2dev.SchDoc	Drawn By: strubachev

77.00mm

45.50mm

vb_FPD2dev_v3r2

BISTEN

FPC

X2

X5

X1

16

17

08

15

06

07

HS

VS

DE

X3

REVERSE

- R47
- R46
- R45
- R44
- R43
- R42

- R30
- R32
- R34
- R36
- R21
- R23
- R25
- R28
- R9
- R11
- R15
- R19
- R40
- R31
- R33
- R35
- R22
- R24
- R26
- R29
- R10
- R14
- R18
- R20
- R39
- R41

- C66
- C65

- C19
- C7
- C25

- R3
- R2

- C62
- C63

- FB2
- C10
- C13
- FB3
- C14
- C23

- C11
- C21

- R12
- C22
- C12

- C18
- R13
- FB1
- C8

- R4

- C20
- C9

- C15
- C16
- C24

- FB4
- R8
- R7

- C17

U5

- R16

- R17
- C1
- C3

- U2

- R6
- C2

- C6
- C5
- C4
- U4

- R27

