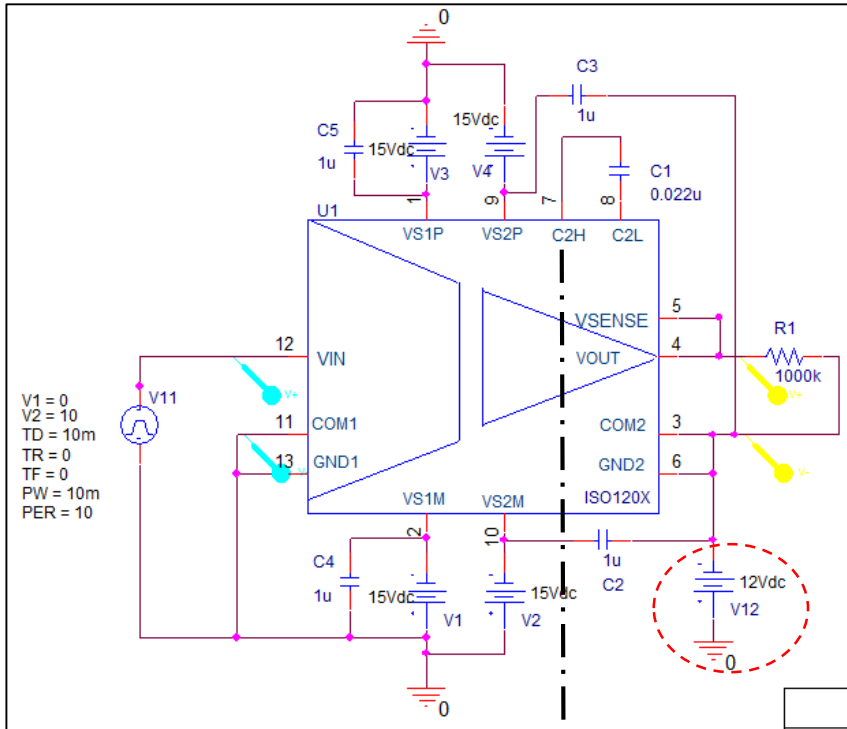


Vin and Vout transition PSPICE simulation result

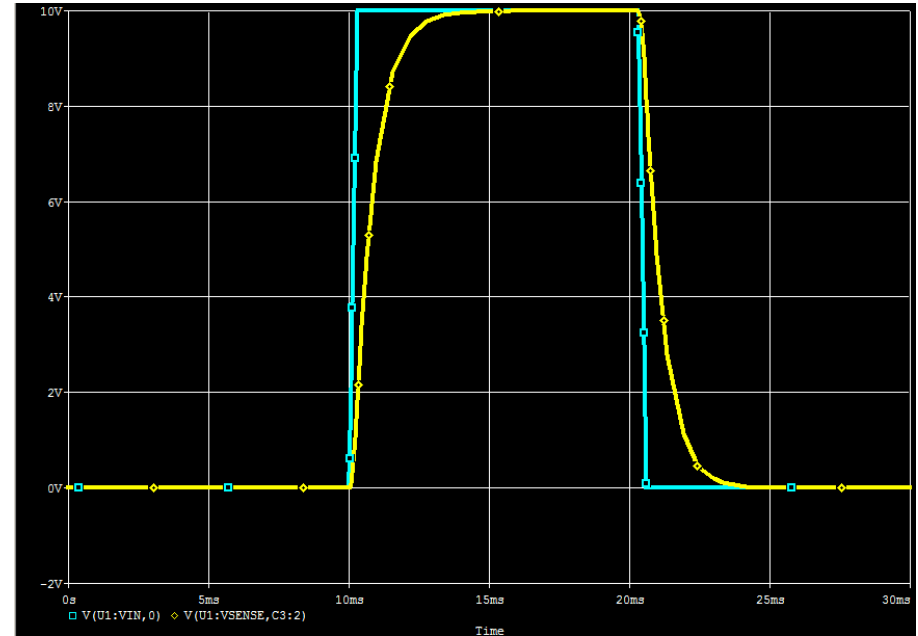
Vin=10VDC (GND2/COM2 > -12V)

->Vin_DC=Vout_DC, O.K.



CommonGND
=0V

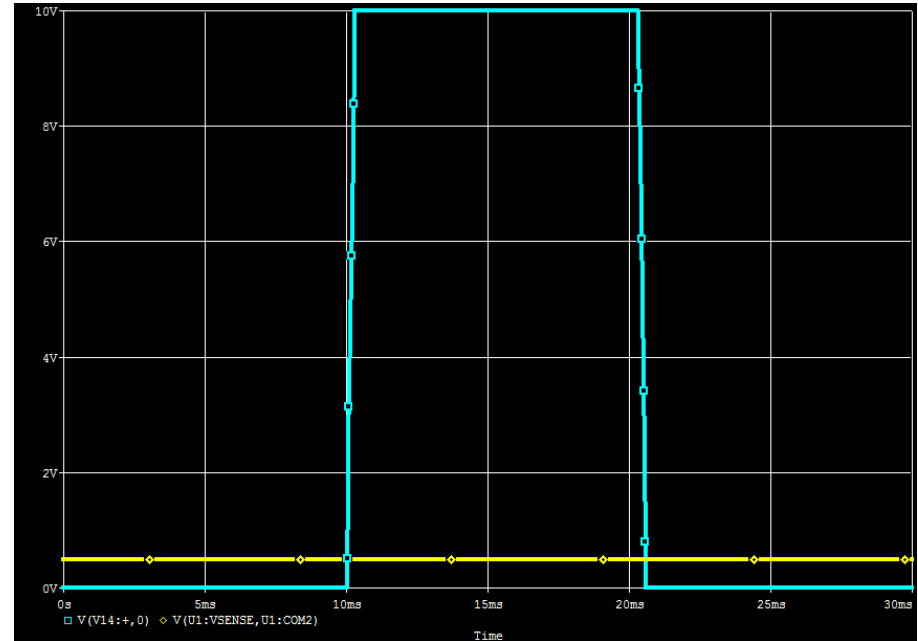
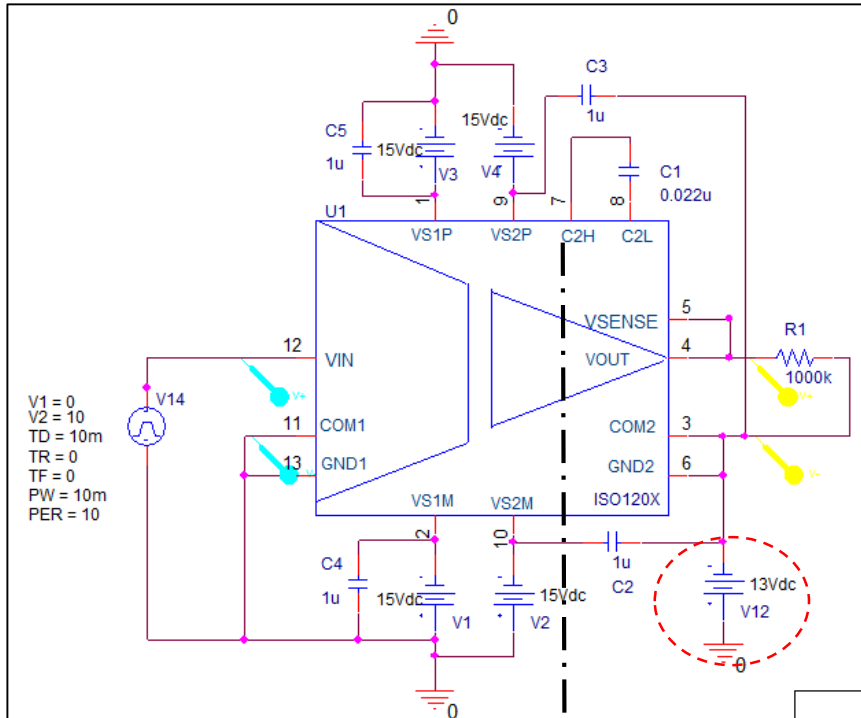
CommonGND
=-12V



Vin and Vout transition PSPICE simulation result

Vin=10VDC (GND2/COM2 < -13V)

-> No Vout_DC, NG.



CommonGND
=0V

CommonGND
= -13V

We expect that minus DC output control(0~-75V) by DC voltage(0~+10V) of different common.

