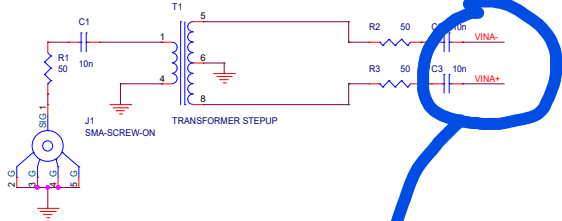
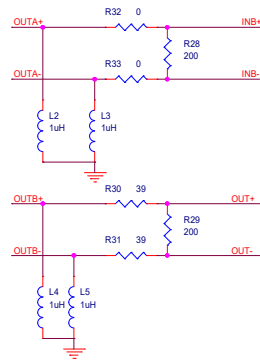
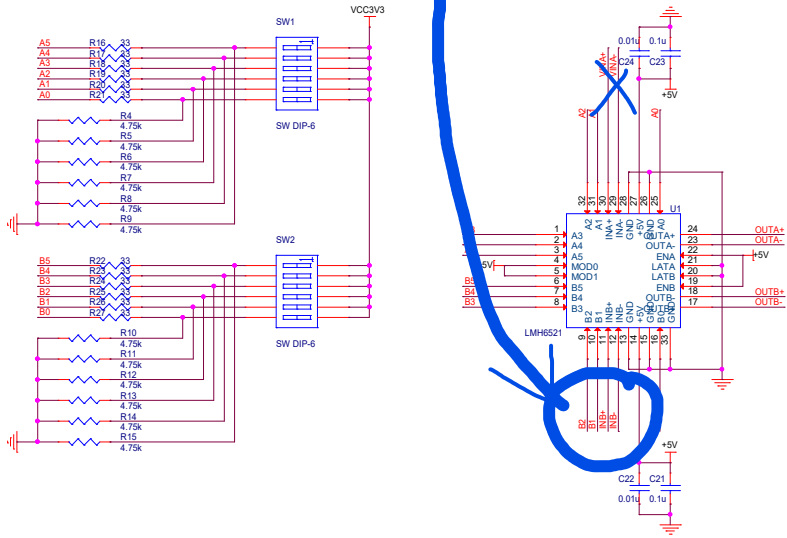
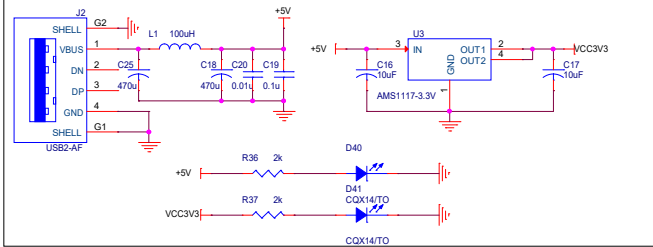


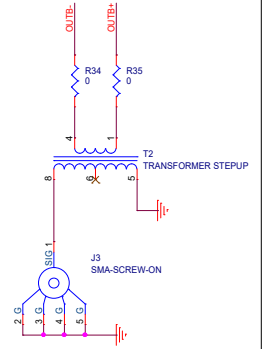
# Single to Differential



# POWER FOR +5V/3.3V



# Differential to Single



Title	<Title>
Size	Document Number
B	<Doc>
Date:	Friday, July 21, 2023
Sheet	1 of 1