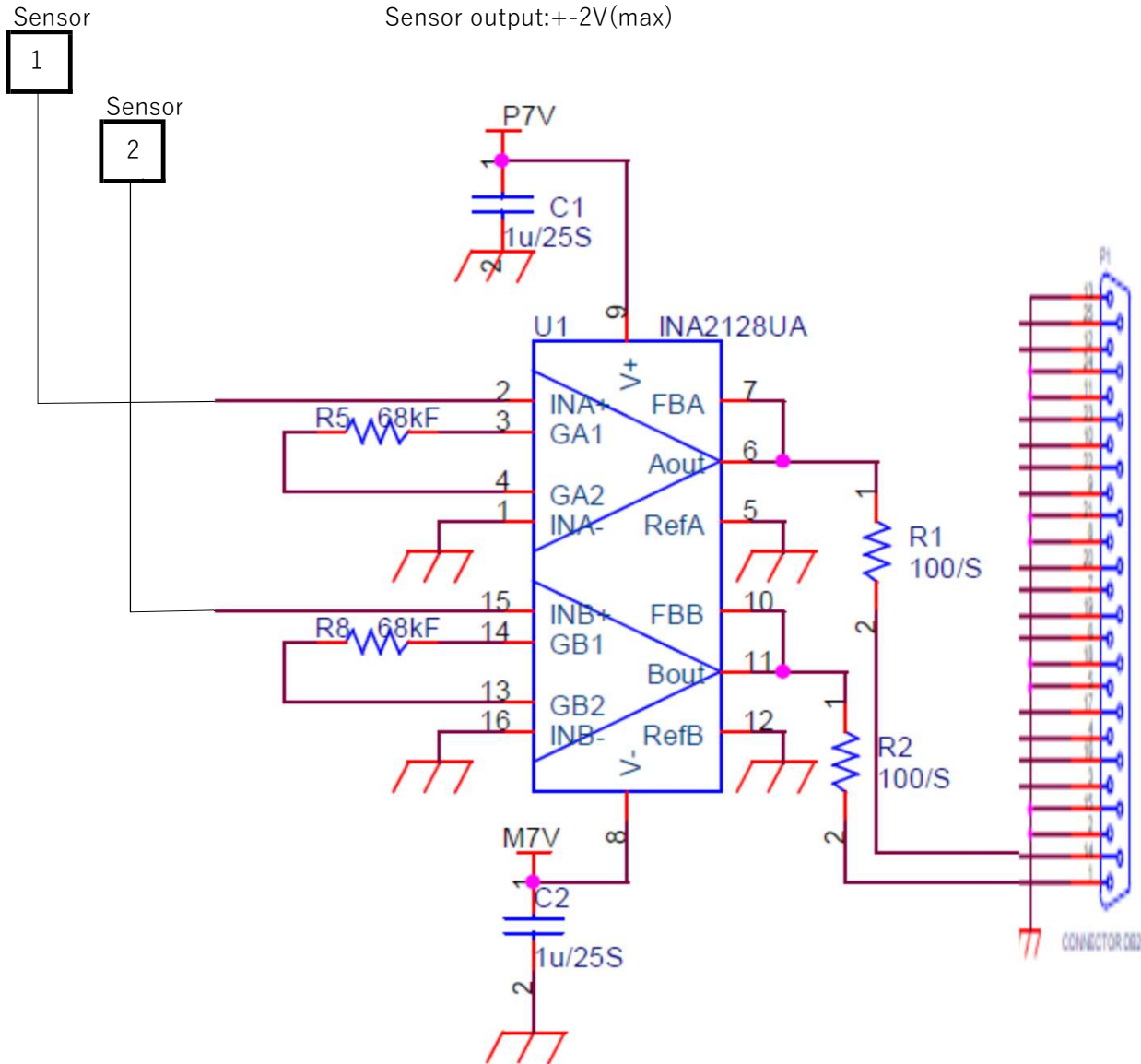


INA2128UA power supply : +-7V
gain: 4.9dB(RG=68KΩ)
Sensor output:+-2V(max)



to another AMP
cable length 15m
with shield