

# Ref. Design (TI)– Neutral Connection

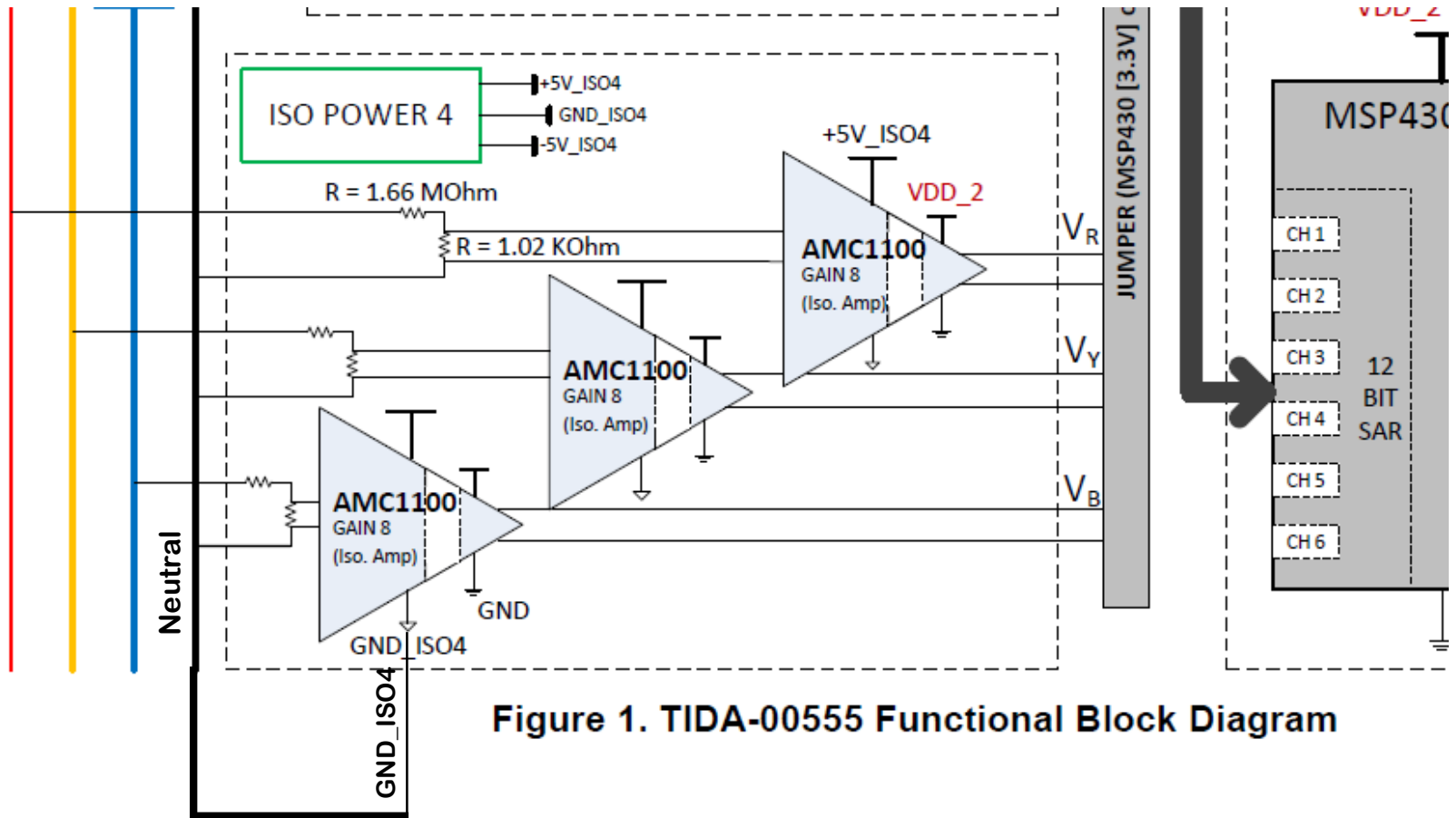


Figure 1. TIDA-00555 Functional Block Diagram

Connecting Neutral and GND\_ISO4 to-gather at AMC1100 input side.

