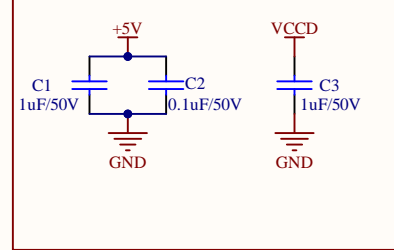
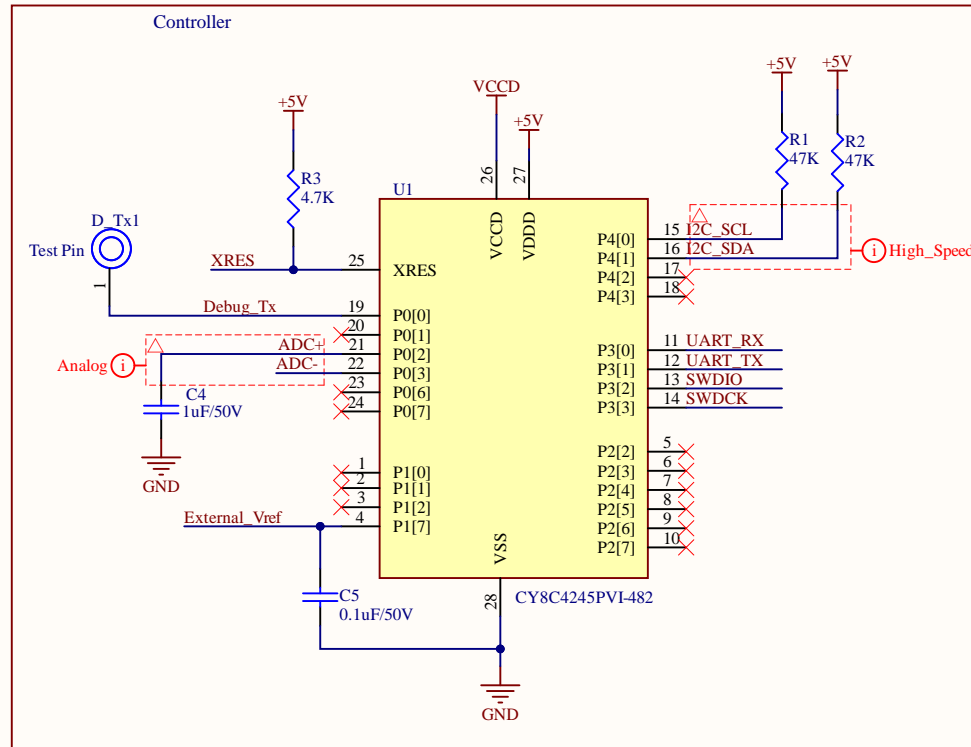
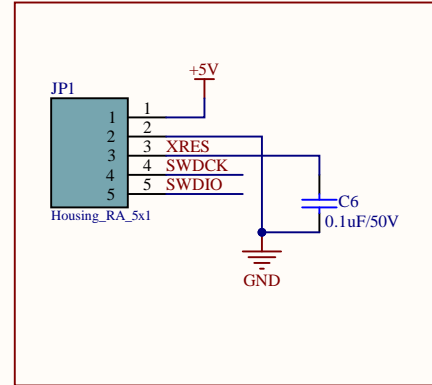


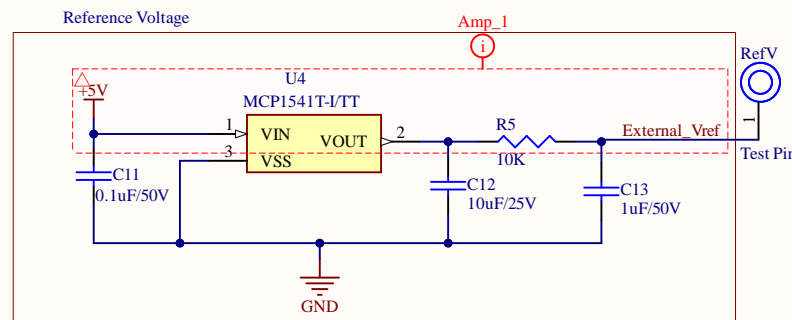
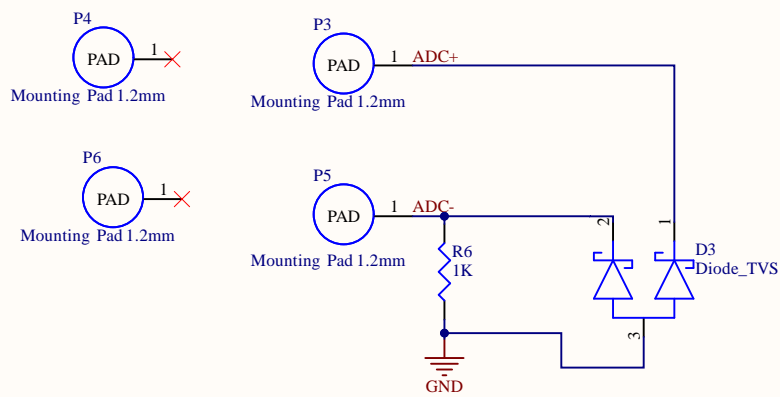
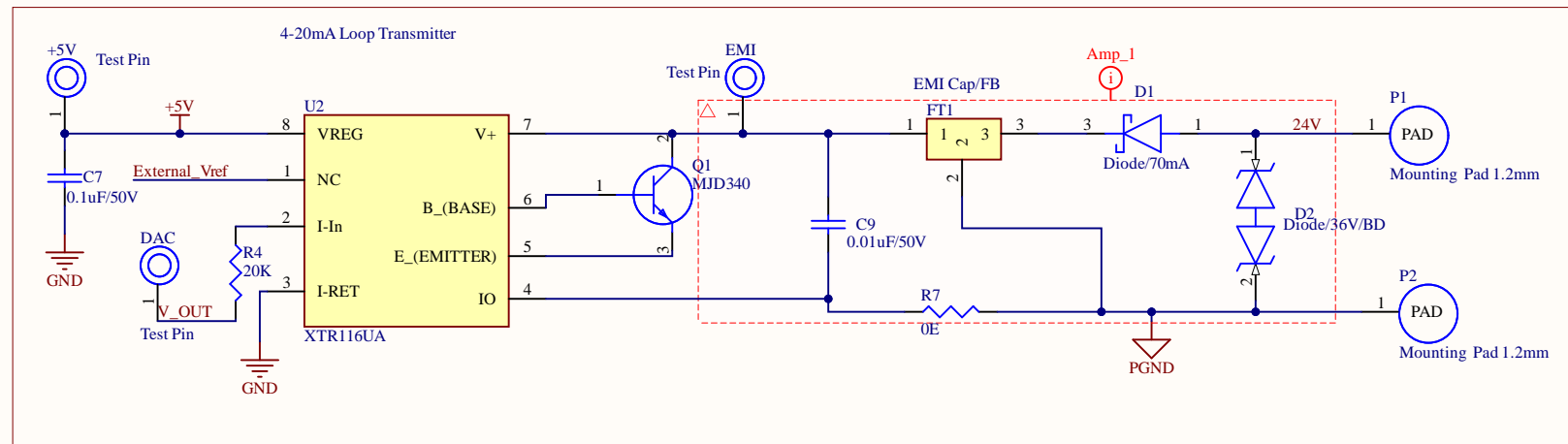
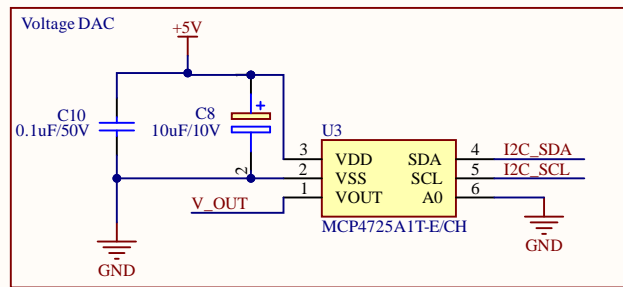
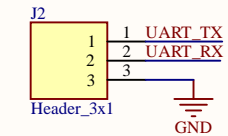
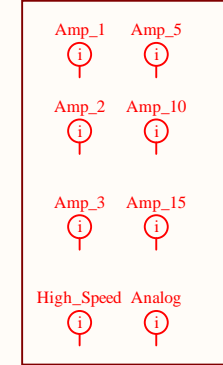
DECOUPLING CAPS



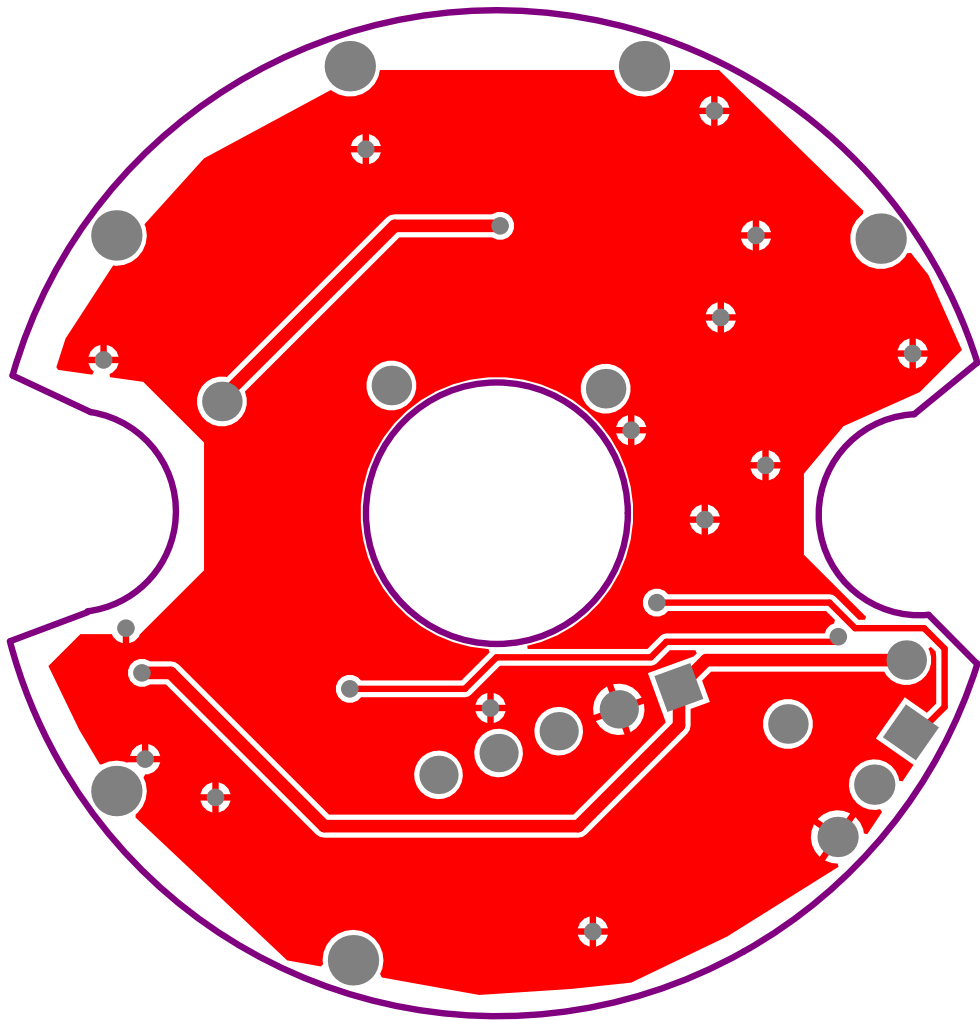
PROGRAM / DEBUG

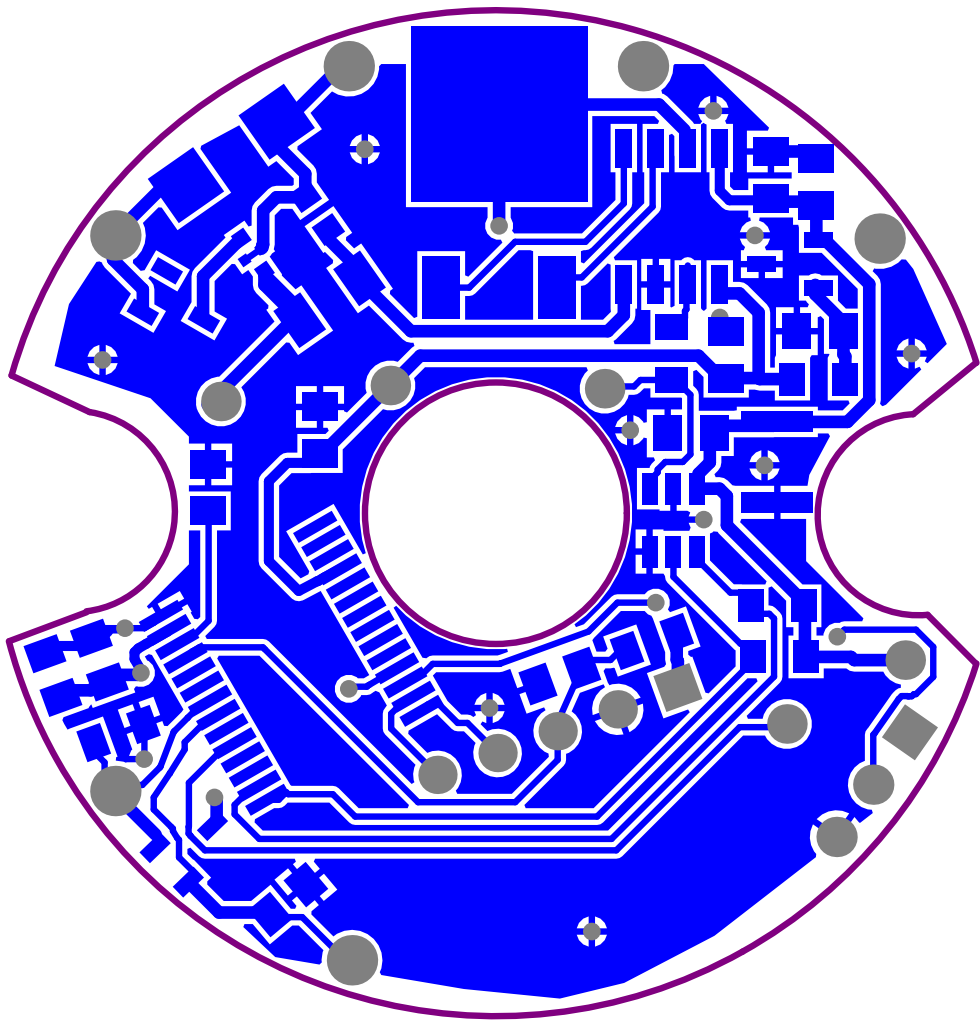


Available Nets Class



Title		
Size	Number	Revision
A3		
Date:	3-18-2022	Sheet of
File:	C:\METI\...\Controller.SchDoc	Drawn By:





PGND
METI 0054 Rev *A
4-20mA Loop Transmitter

24V

R-

R+

DIO

CLK

RES

GND

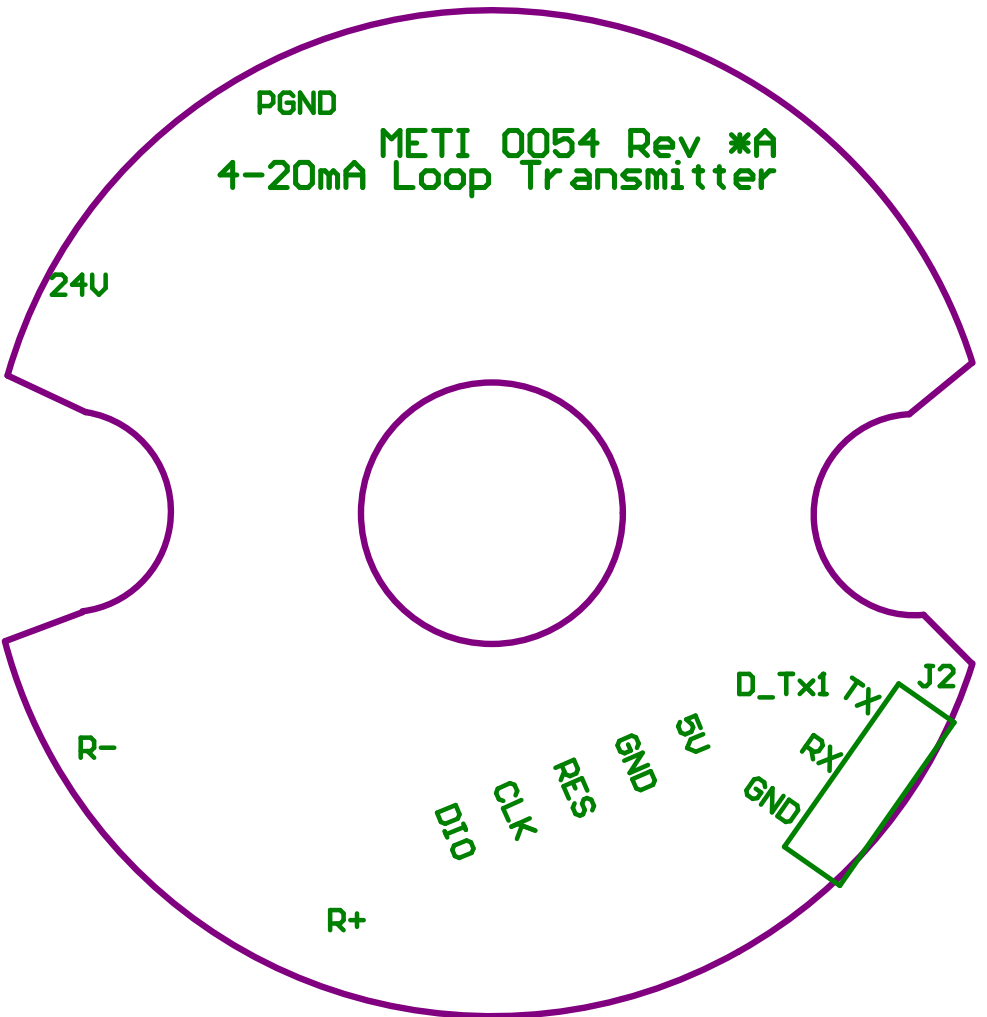
5V

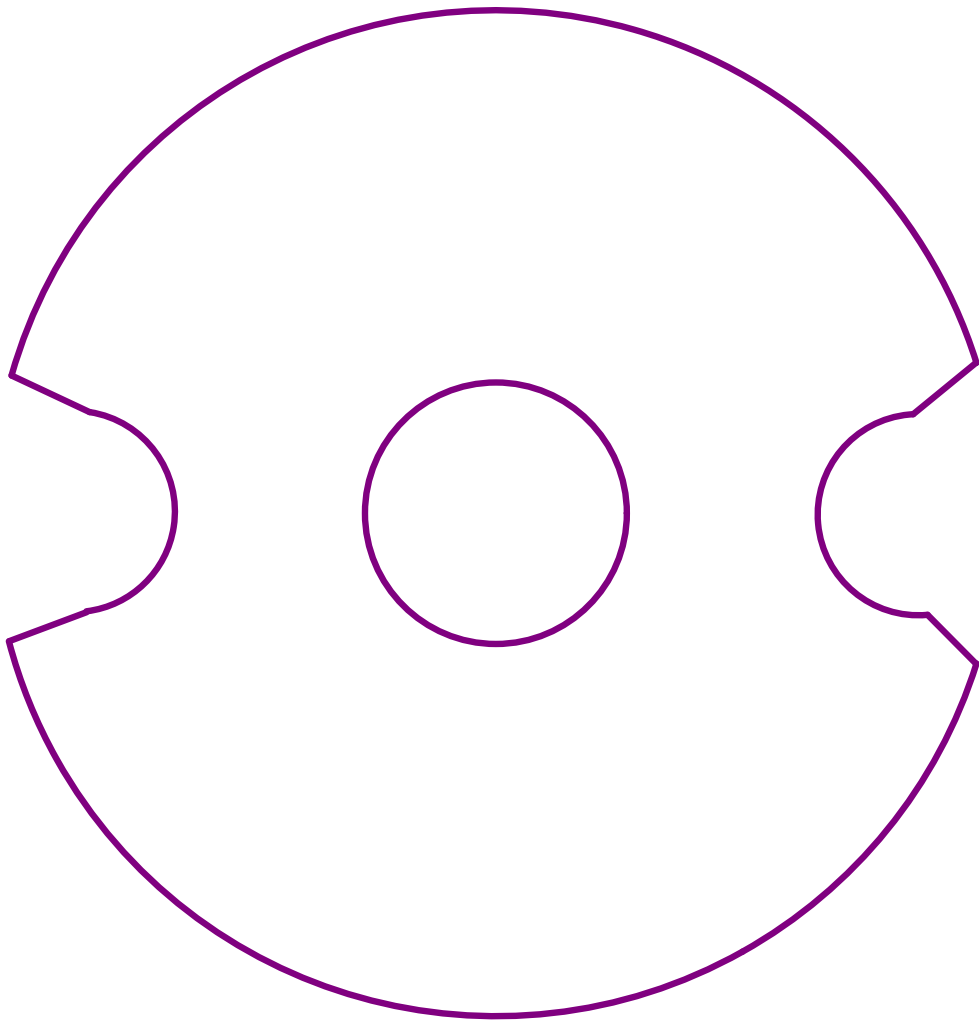
D_Tx1 TX

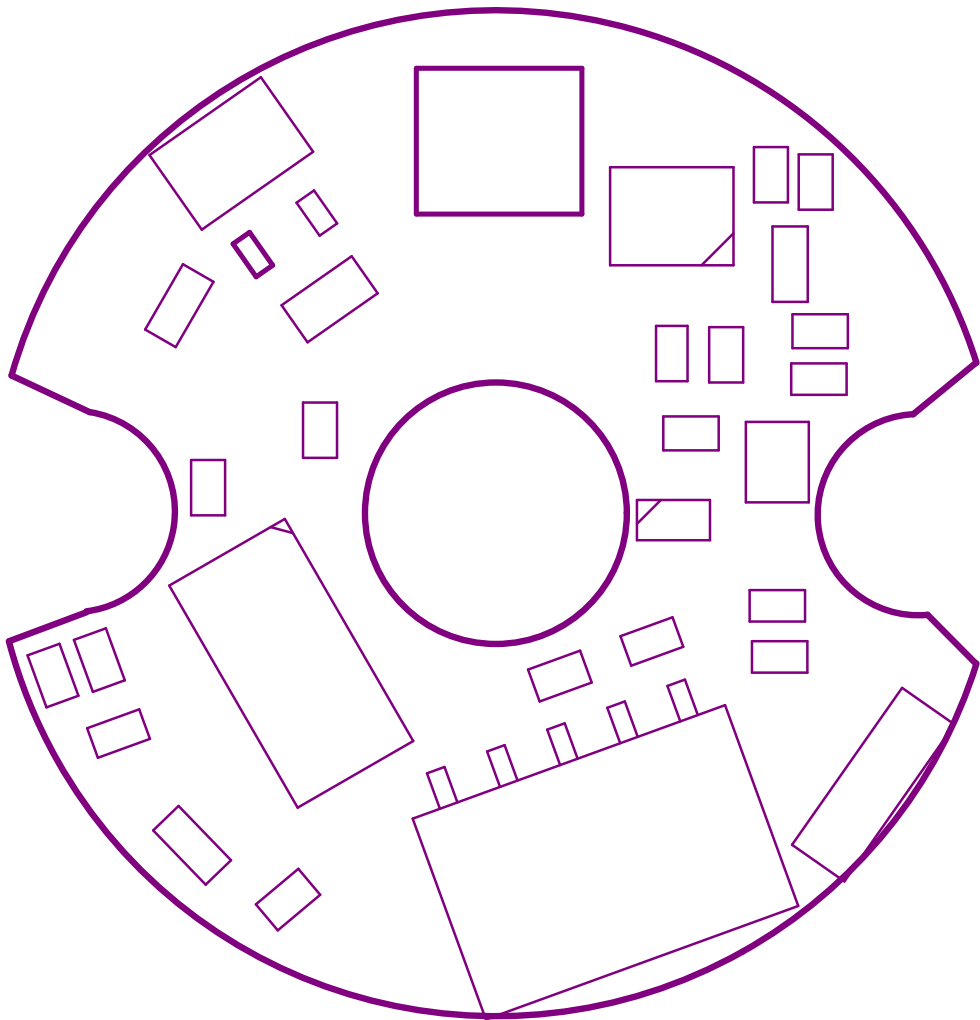
RX

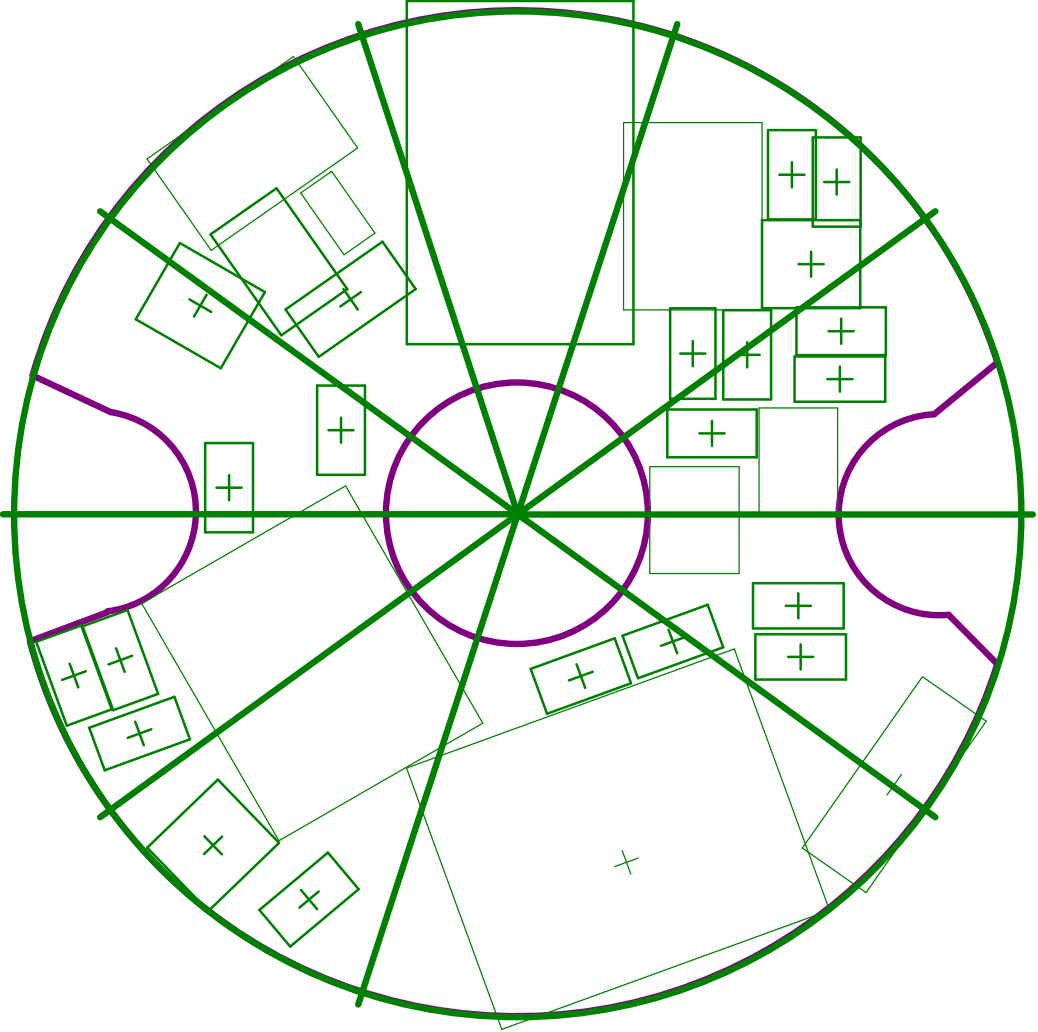
GND

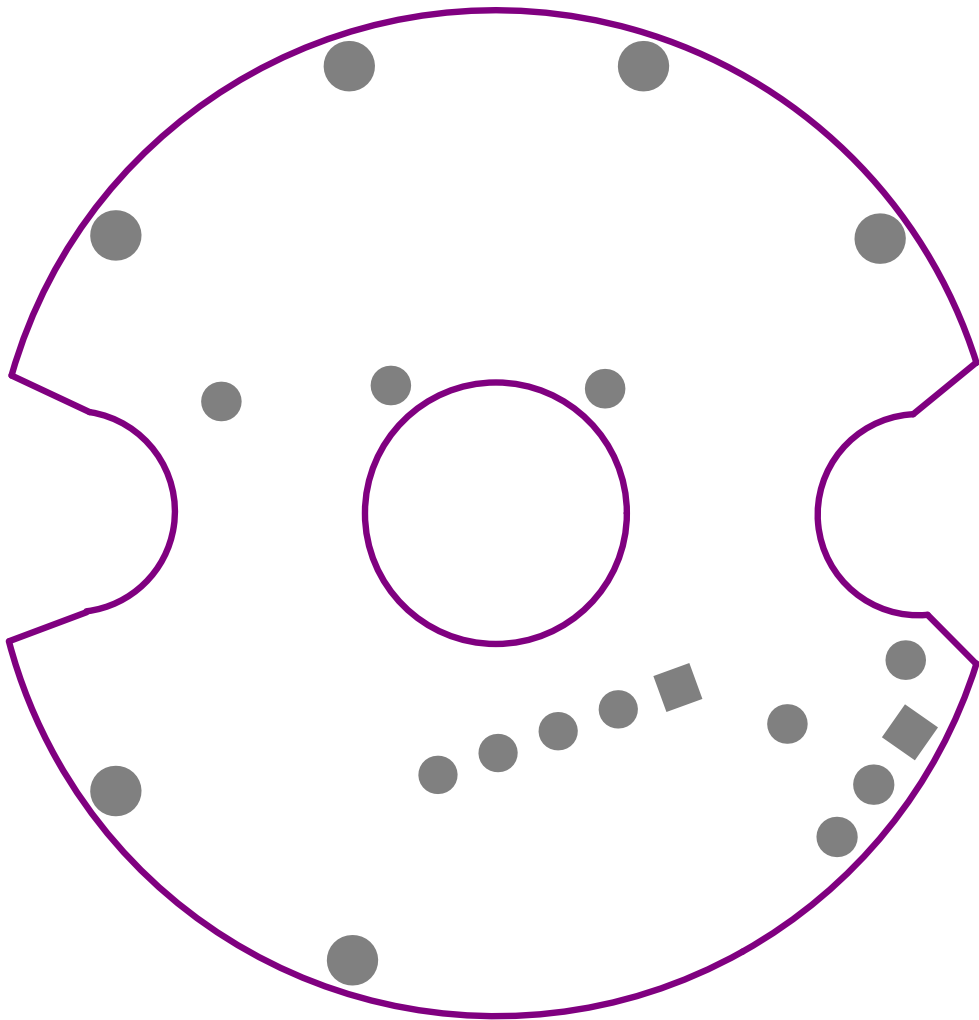
J2

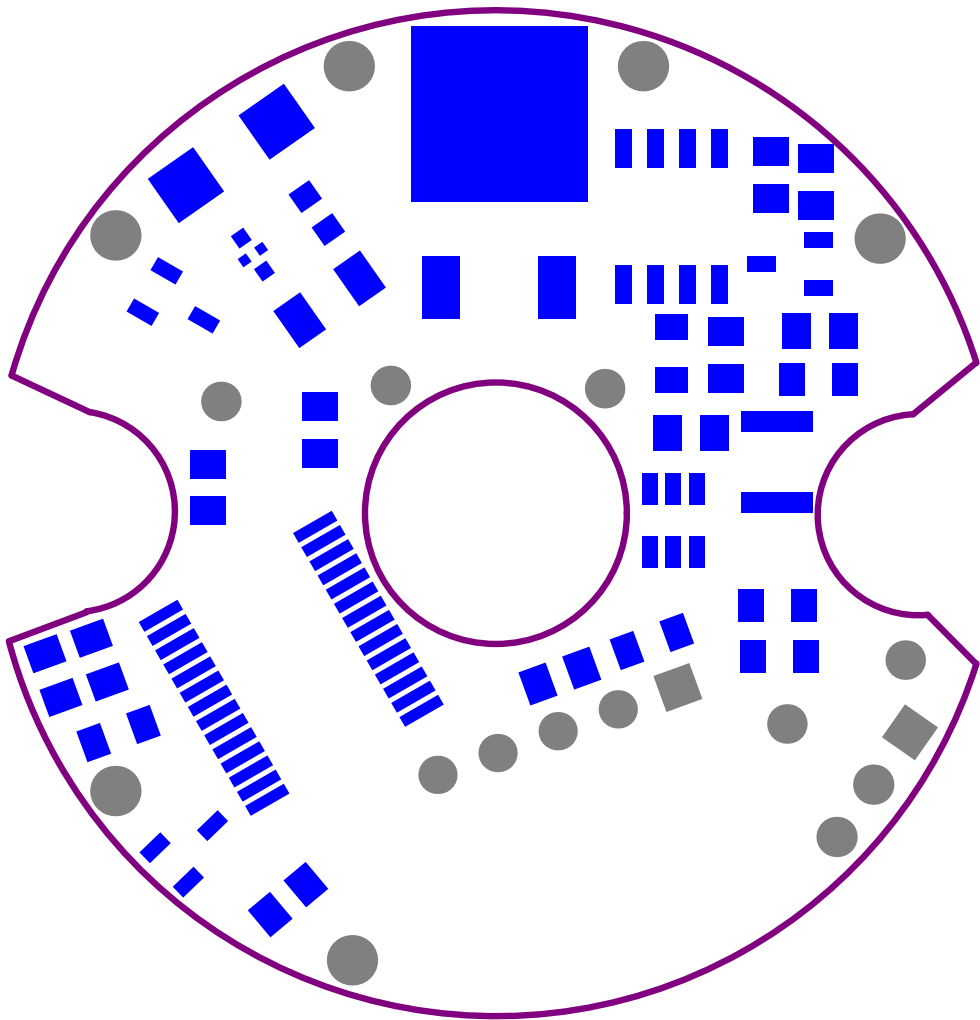


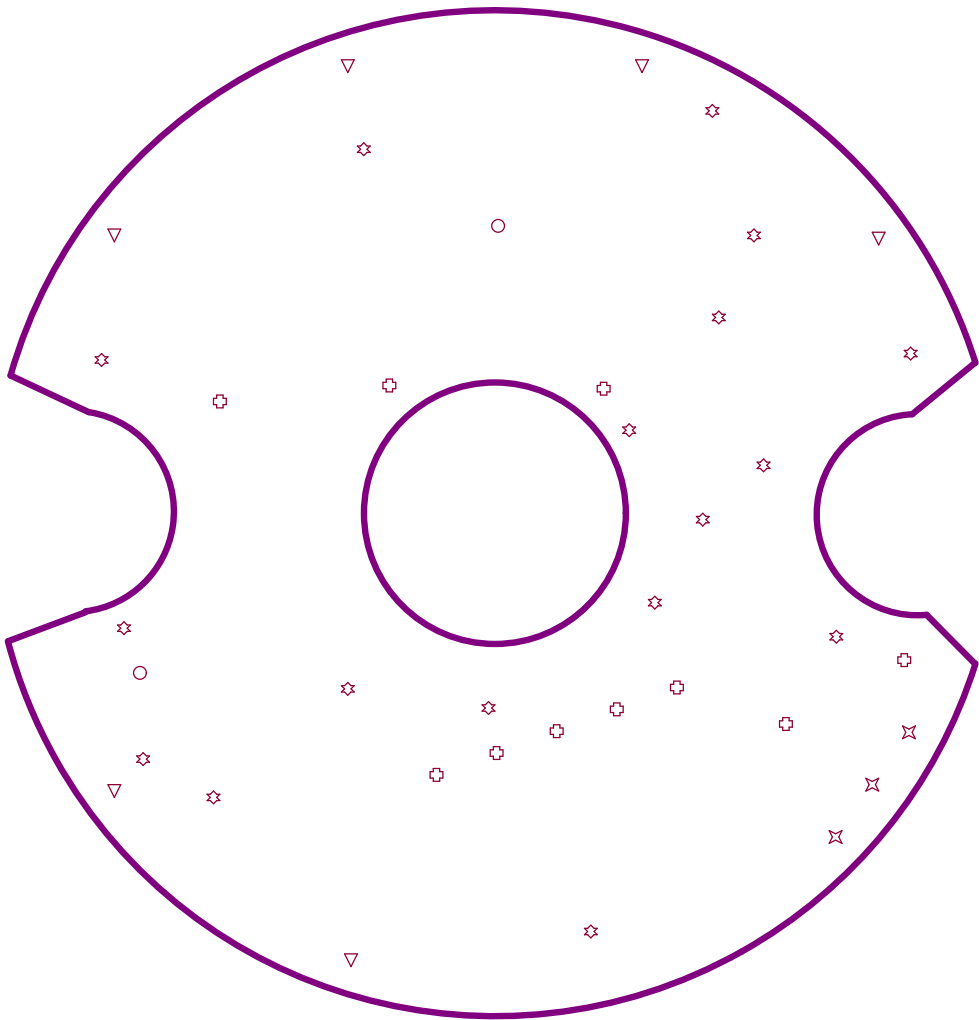


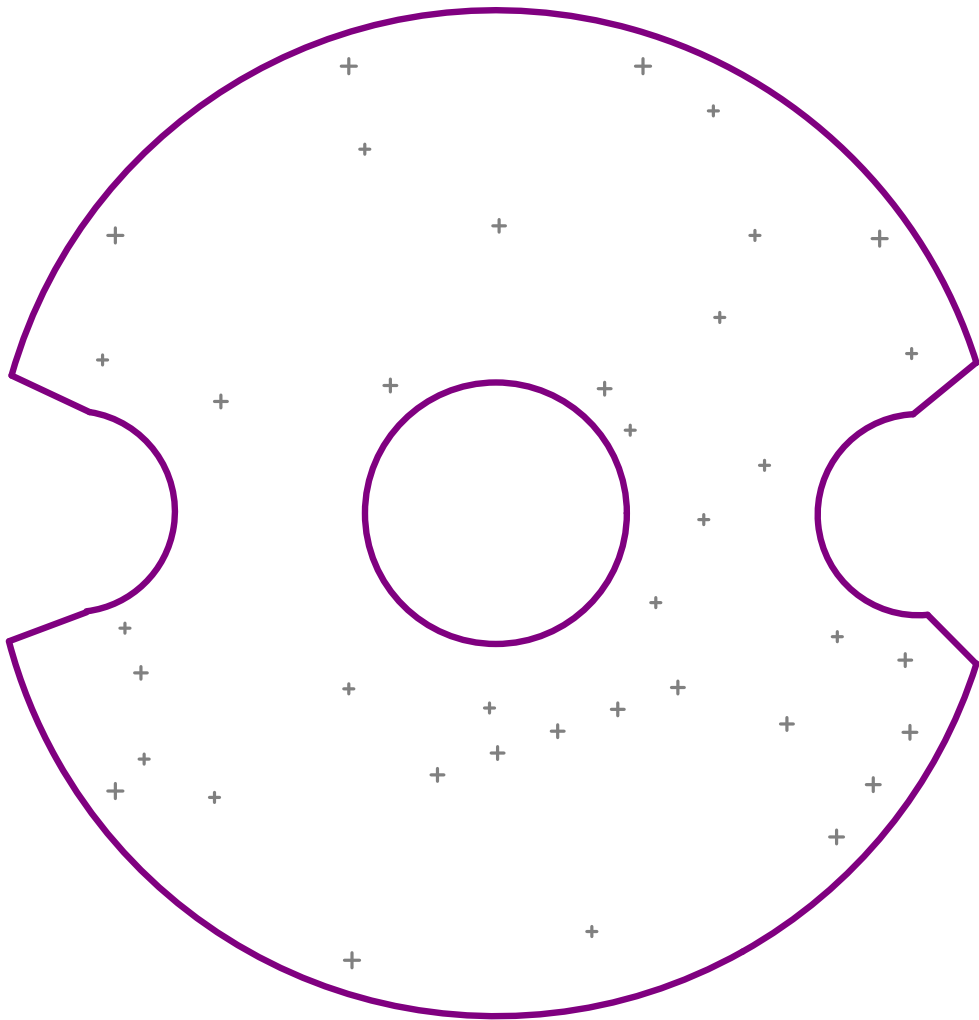




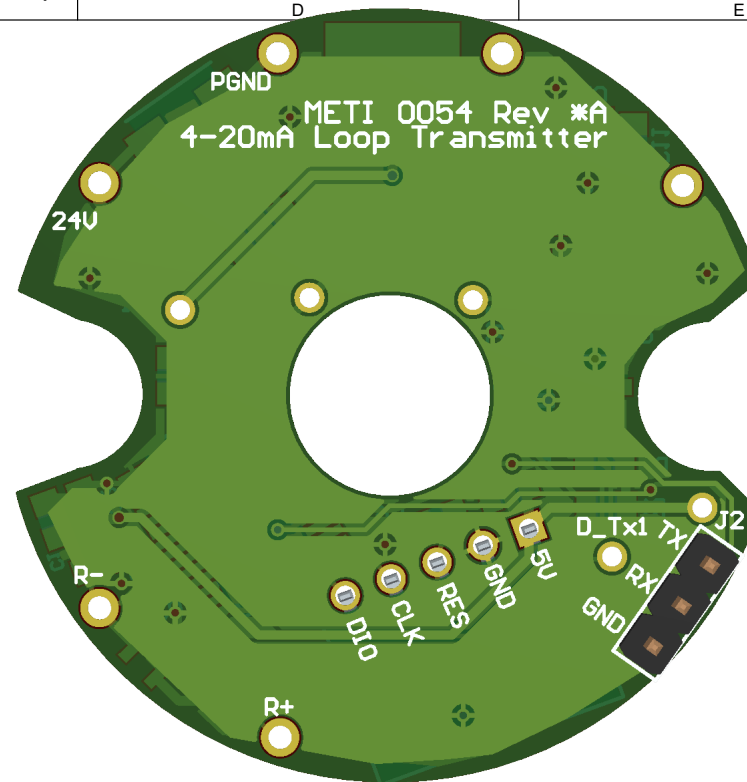
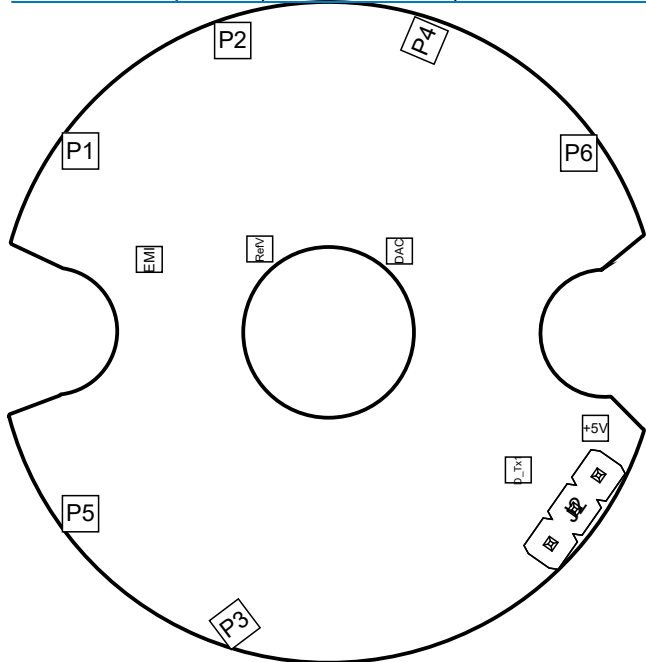




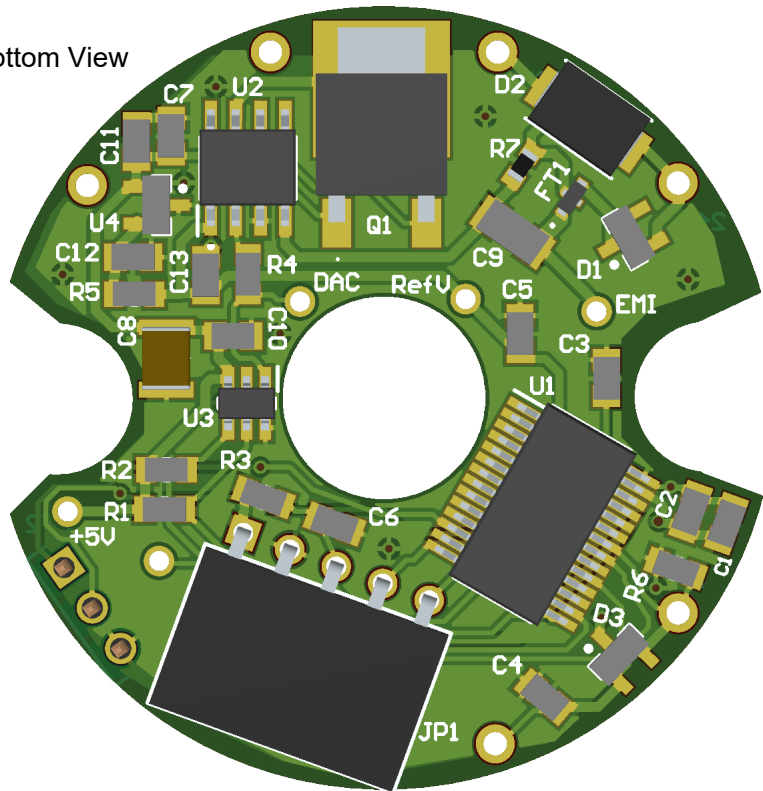




View from Top side (Scale 2.1707:1)



Bottom View



Custom View

