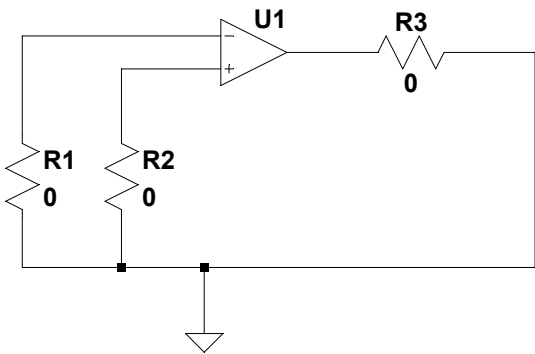


# Image 1



# Image 2

