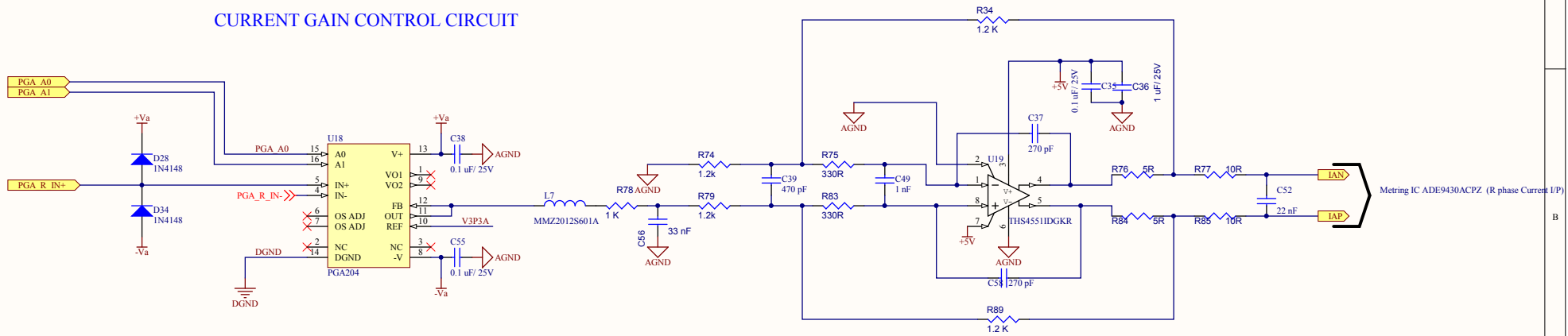


CURRENT GAIN CONTROL CIRCUIT



Metring IC ADE9430ACPZ (R phase Current I/P)

Title		
Size	Number	Revision
A3		
Date:	09/03/2026	Sheet of
File:	\\Sheet1.SchDoc	Drawn By: