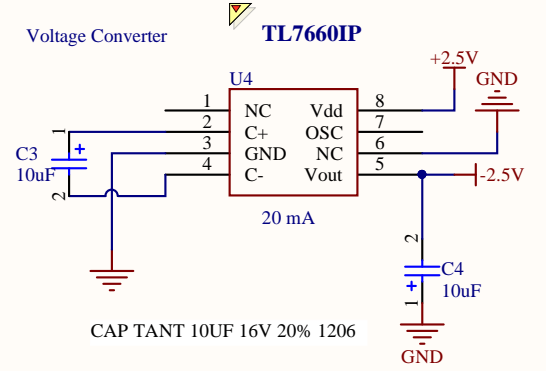
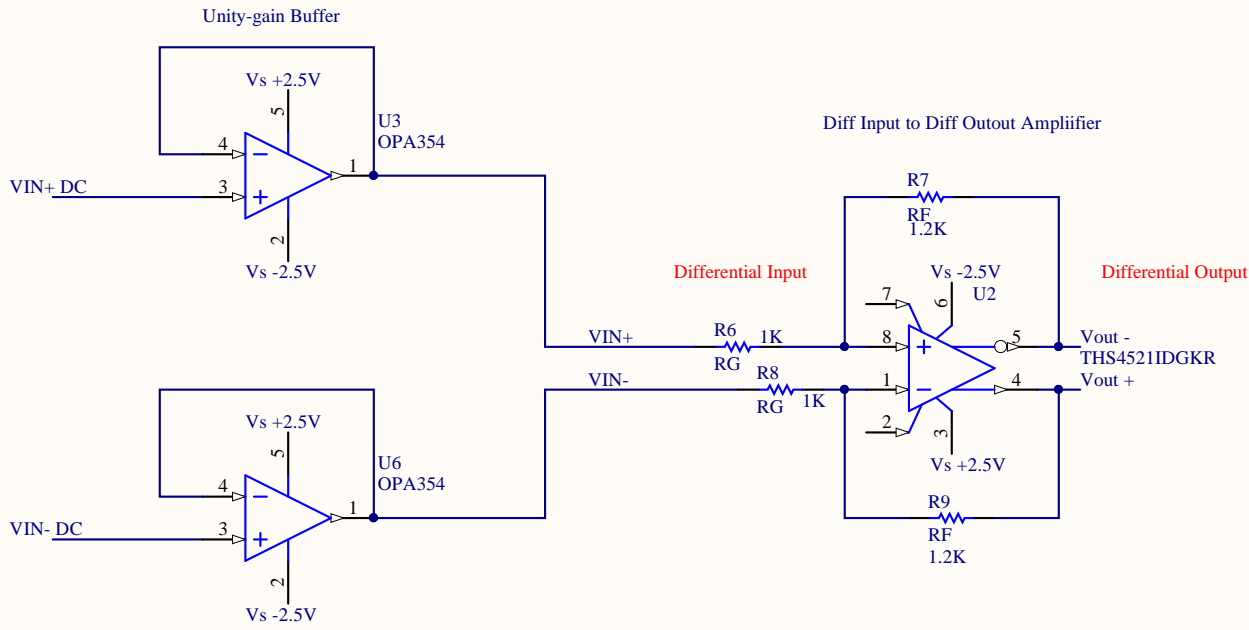


$V_{in} = \pm 2V$   
 $V_{out} = 0 \text{ to } 3V$



Title		
Size	Number	Revision
A		
Date:	11/7/2017	Sheet of
File:	U:\Projects\..\Mini DL-1 Page 2.SchDoc	Drawn By: