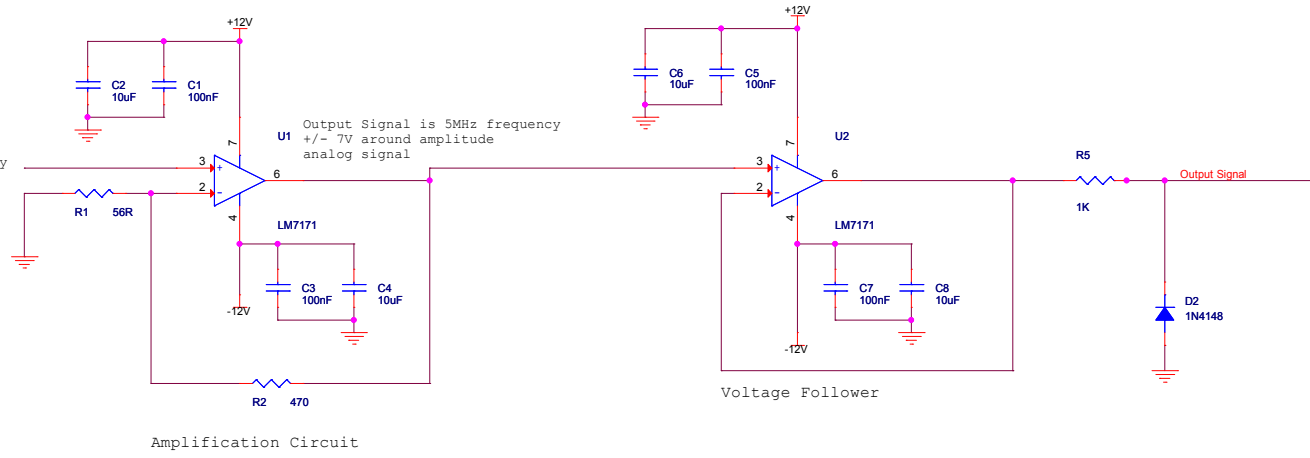


Input Signal is 5MHz frequency  
+/- 750mV around amplitude  
analog signal



Title	<Title>	Rev
Size	Document Number	<Rev Code>
A3	<Doc>	
Date:	Tuesday, November 29, 2016	Sheet 1 of 1