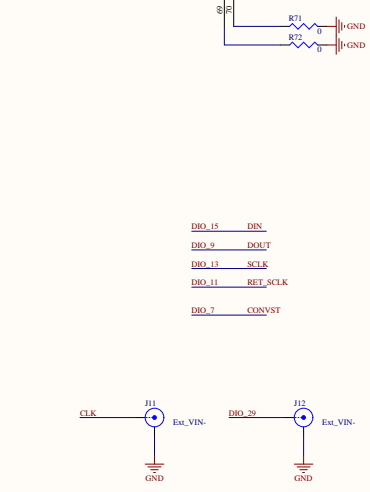
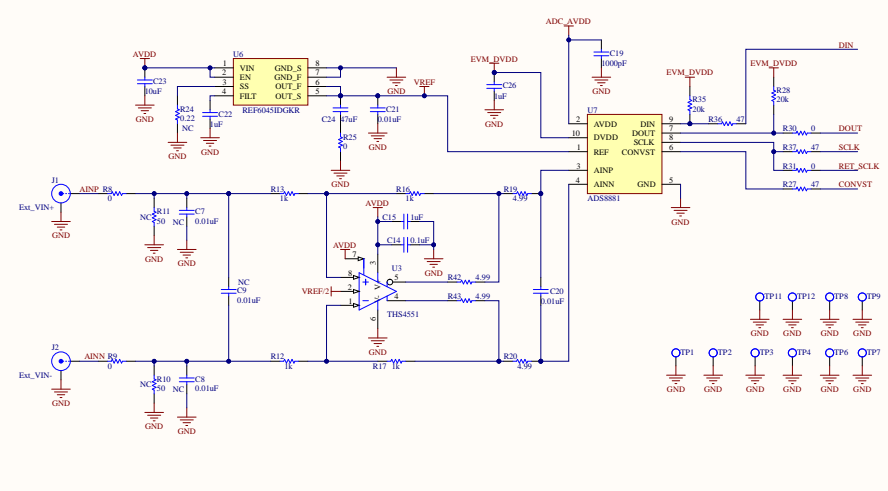
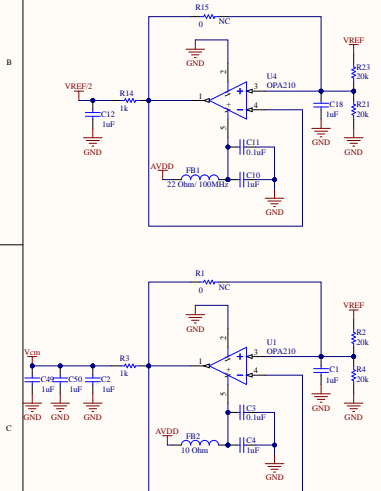


J22 7066 FPGA 6583 Connector			
DIO_31	1	DIO_31	35
GND	2	GND	36
DIO_29	3	DIO_29	37
GND	4	DIO_28	38
DIO_27	5	GND	39
GND	6	DIO_27	40
DIO_25	7	DIO_25	41
GND	8	DIO_24	42
DIO_23	9	GND	43
GND	10	DIO_23	44
DIO_21	11	GND	45
GND	12	DIO_21	46
DIO_19	13	DIO_19	47
GND	14	DIO_18	48
DIO_17	15	DIO_17	49
GND	16	DIO_16	50
DIO_15	17	DIO_15	51
GND	18	DIO_14	52
DIO_13	19	DIO_13	53
GND	20	DIO_12	54
DIO_11	21	GND	55
GND	22	DIO_11	56
DIO_9	23	DIO_9	57
GND	24	GND	58
DIO_7	25	DIO_7	59
GND	26	DIO_6	60
DIO_5	27	GND	61
GND	28	DIO_5	62
DIO_3	29	DIO_3	63
DIO_1	30	DIO_1	64
GND	31	DIO_0	65
GND	32	GND	66
DIO_CLK	33	DIO_CLK	67
GND	34	GND	68



1KHz Band Pass Filter

20KHz Low Pass Filter

Size	Number	Revision
A2		
Date:	1.18.2024	Sheet of
File:	D:\Projects\7066-AIDSS81 DAM Rev14	Sheet of