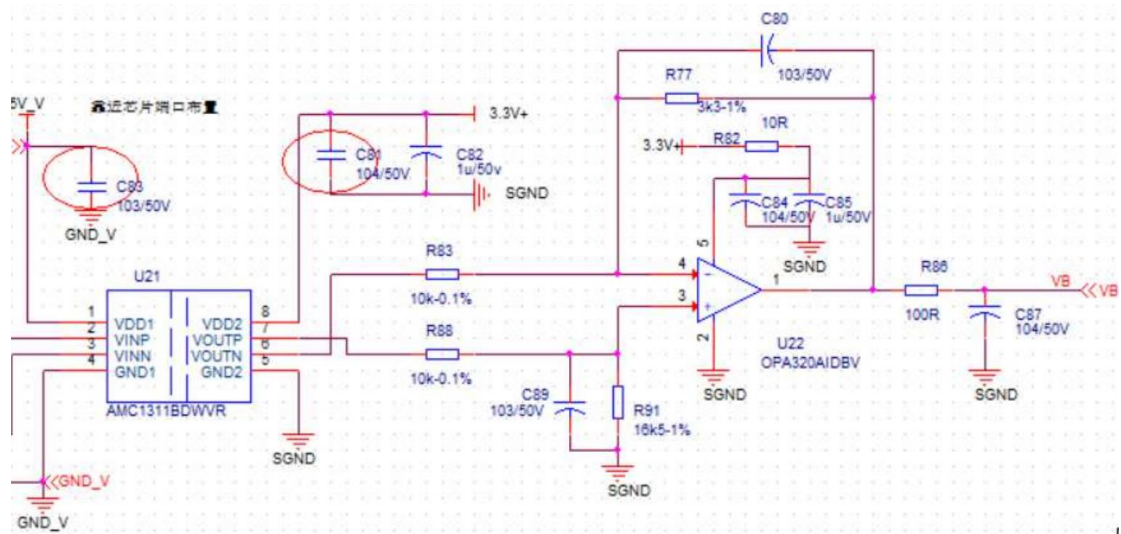
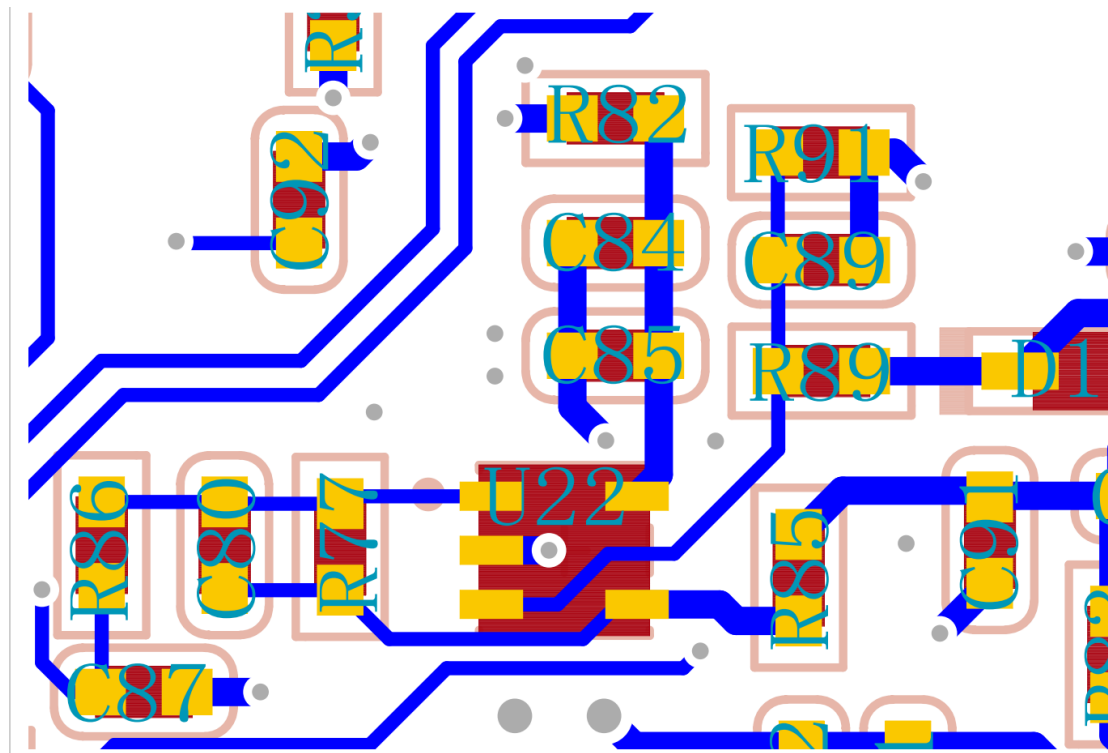


Schem.



Top



Layer2 GND

Layer3 VCC

Bottom

Layout 截图:

