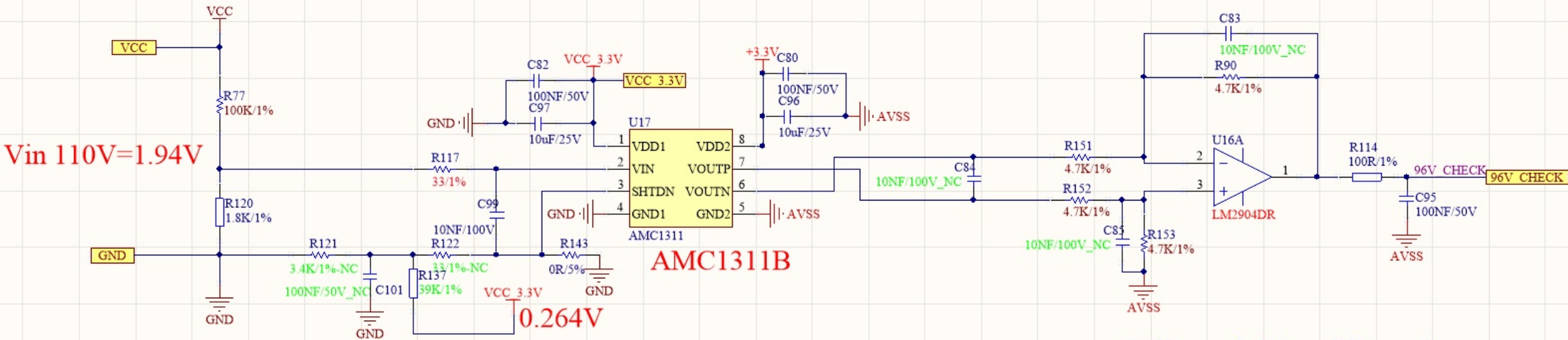


# 96V check isolation



Differential Amplifier gain:  
 $R_{151} = R_{152} = R_{90} = R_{153}$   
Gain = 1