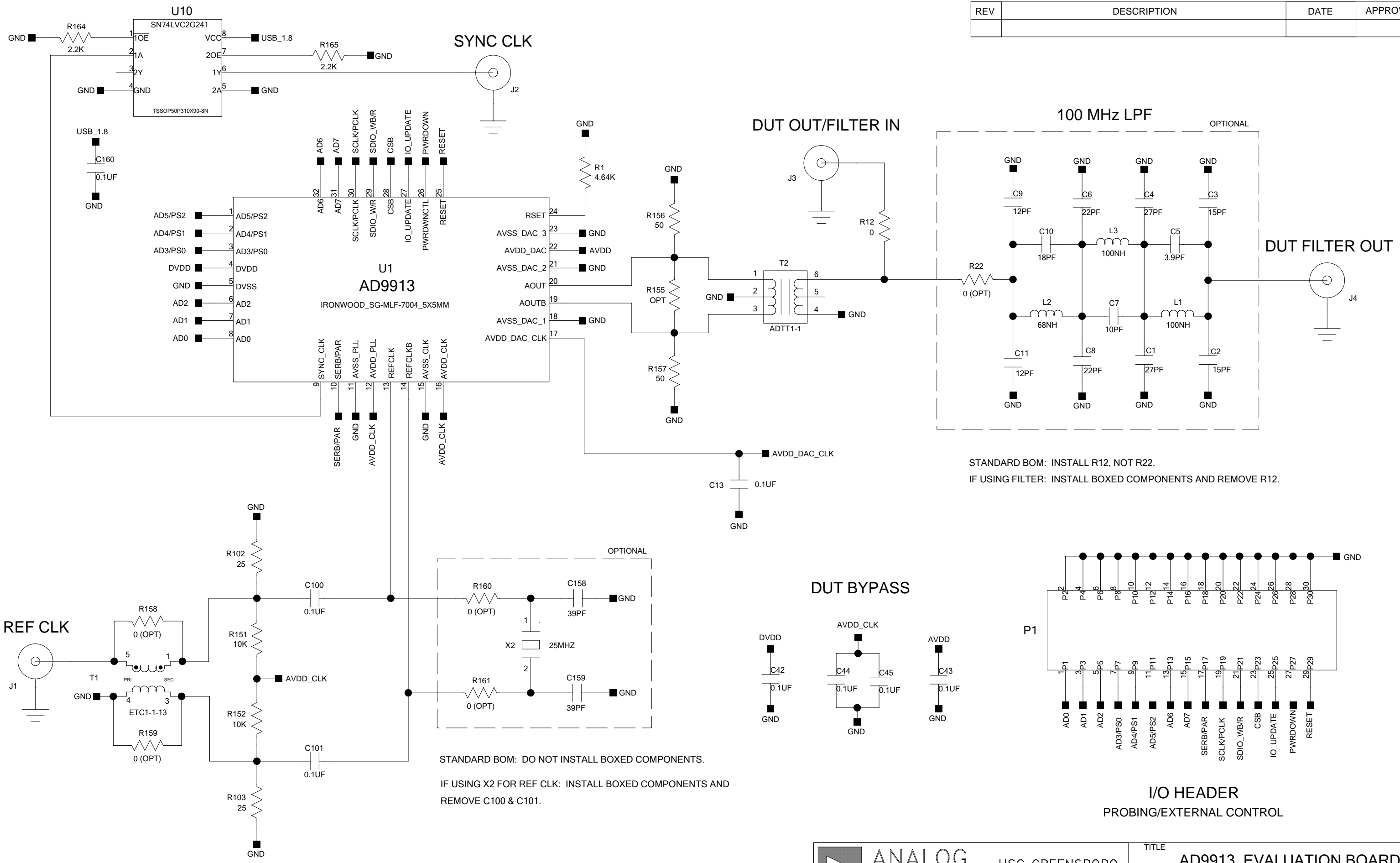


REVISIONS			
REV	DESCRIPTION	DATE	APPROVED



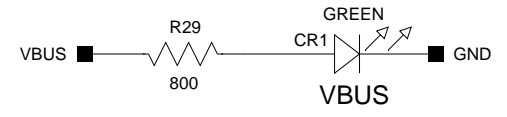
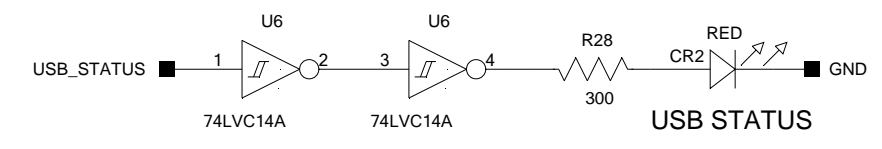
STANDARD BOM: INSTALL R12, NOT R22.
 IF USING FILTER: INSTALL BOXED COMPONENTS AND REMOVE R12.

STANDARD BOM: DO NOT INSTALL BOXED COMPONENTS.
 IF USING X2 FOR REF CLK: INSTALL BOXED COMPONENTS AND REMOVE C100 & C101.

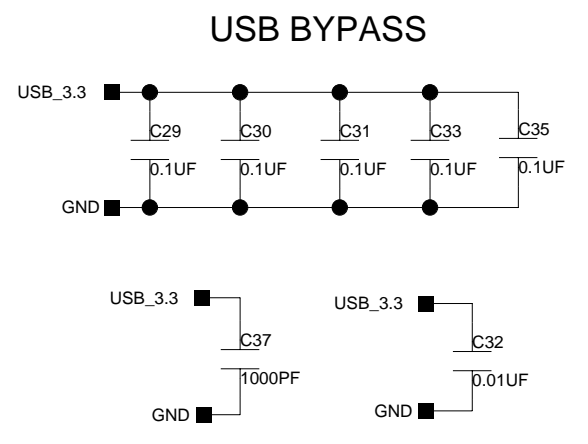
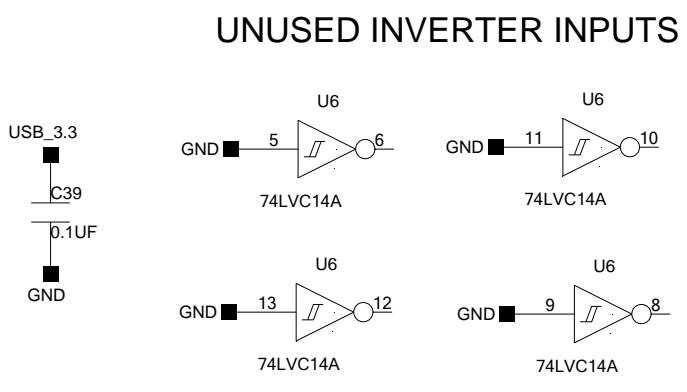
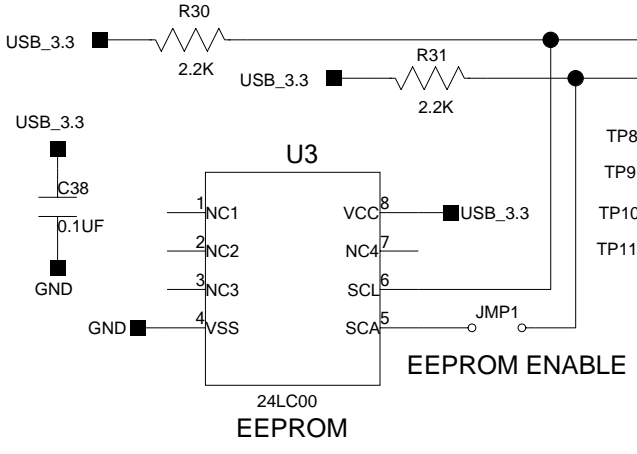
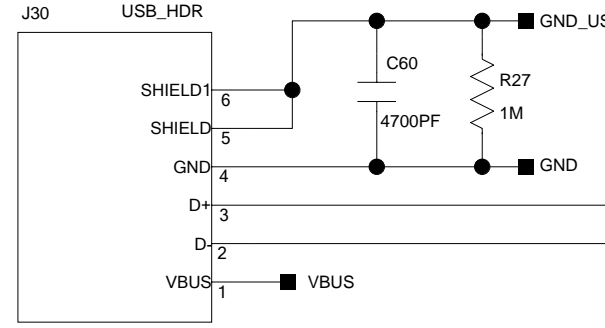
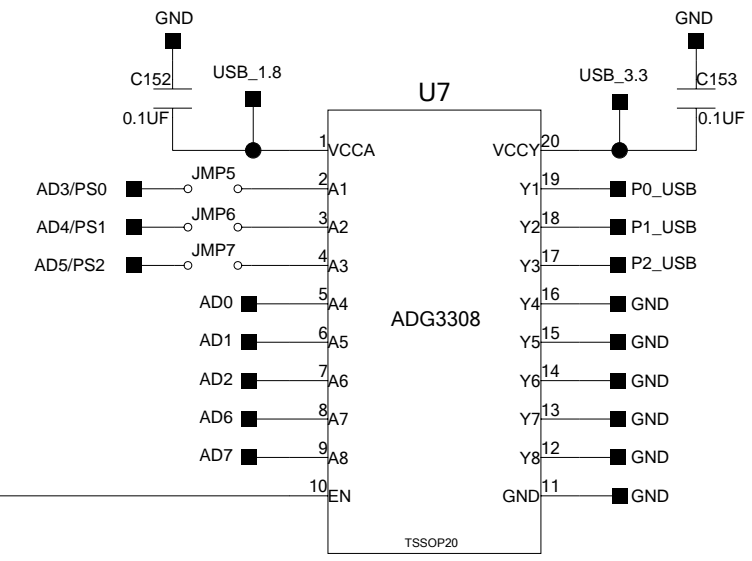
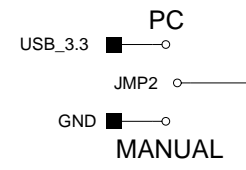
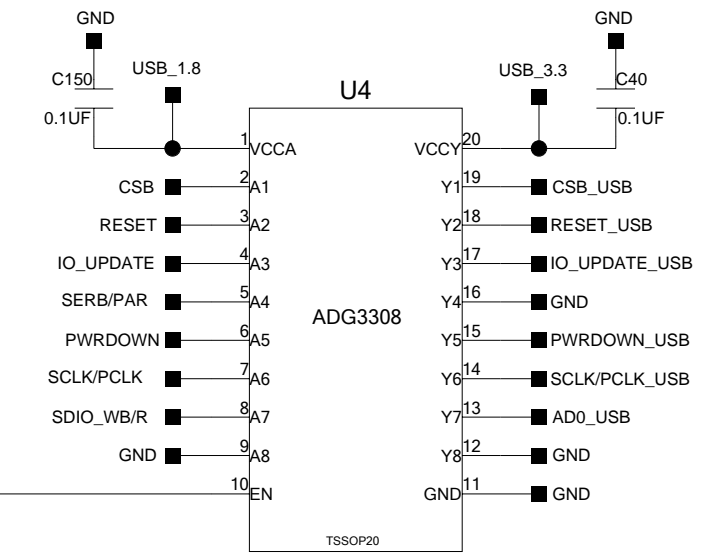
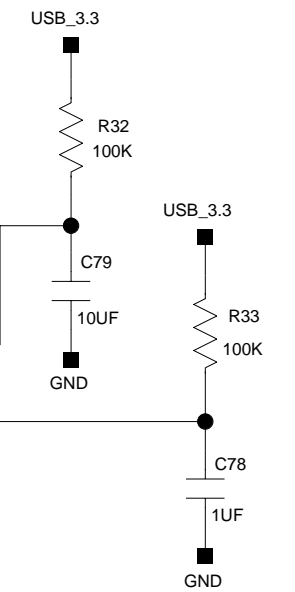
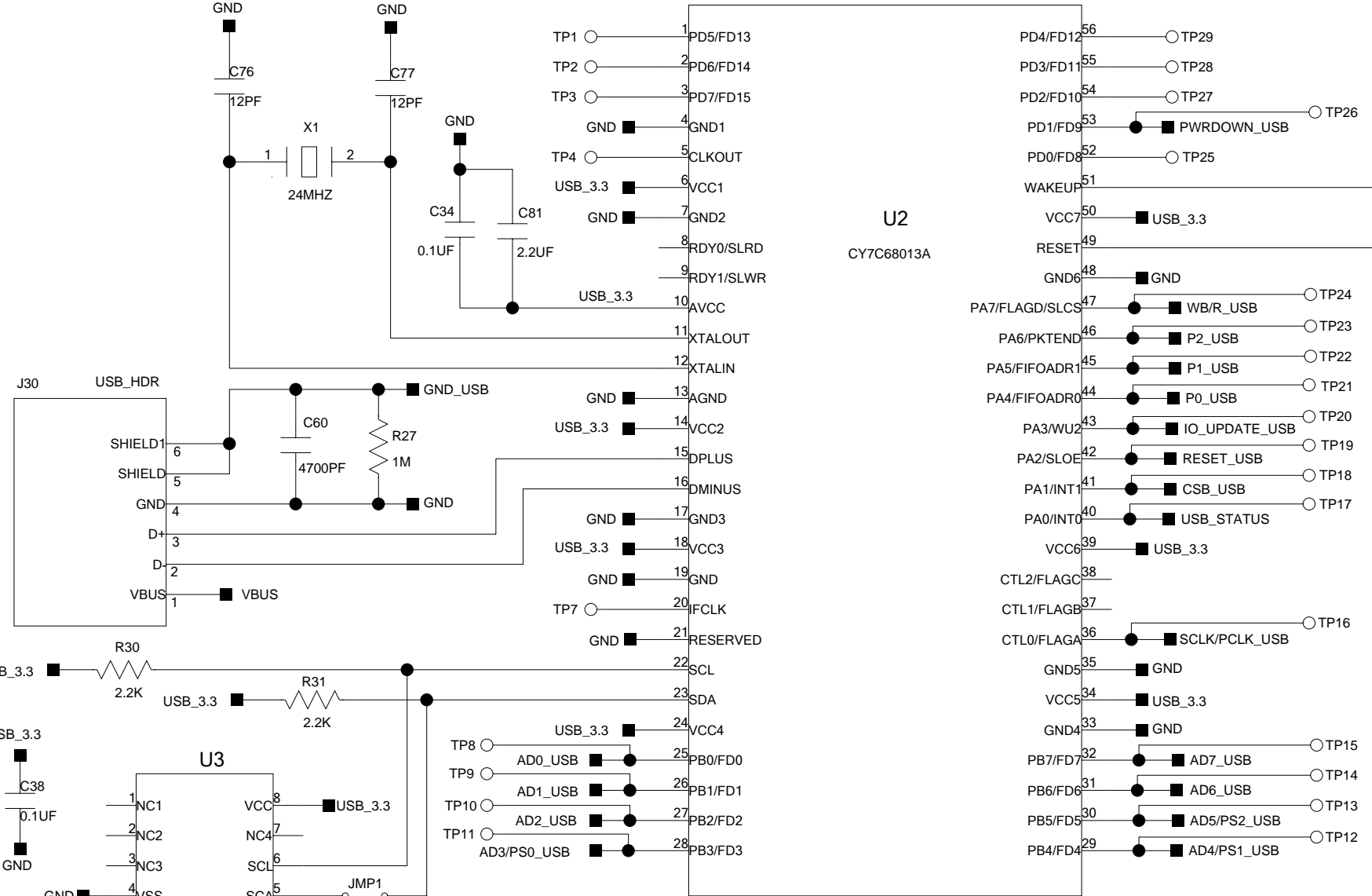
I/O HEADER
 PROBING/EXTERNAL CONTROL

	HSC GREENSBORO 7910 TRIAD CENTER DRIVE GREENSBORO NC 27409	TITLE AD9913 EVALUATION BOARD	
	DATE: 21 APR 2008	SHEET 1 OF 3	DRAWN BY: W. CLARK

REVISIONS			
REV	DESCRIPTION	DATE	APPROVED



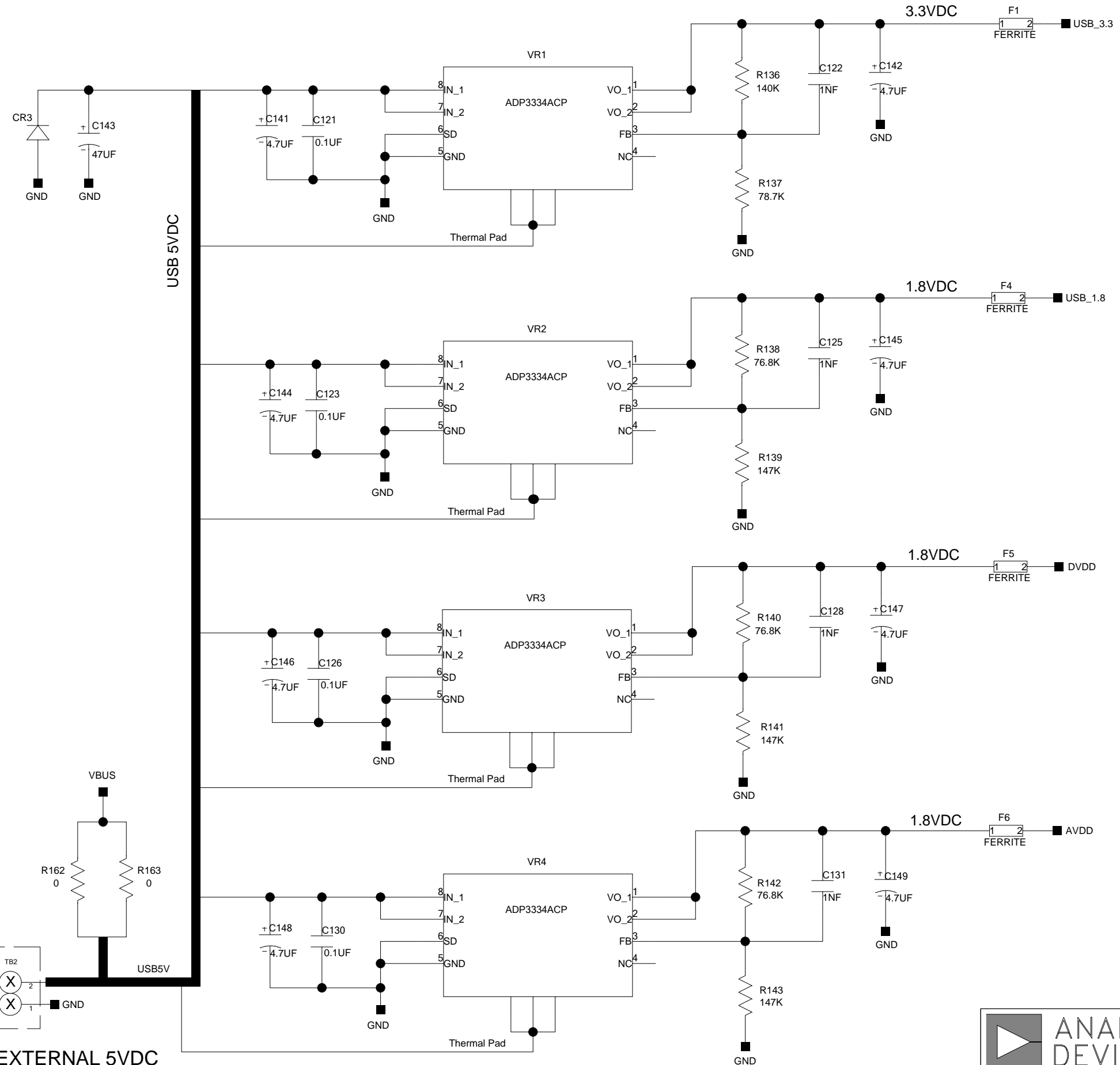
USB I/O



	HSC GREENSBORO 7910 TRIAD CENTER DRIVE GREENSBORO NC 27409	TITLE AD9913 EVALUATION BOARD	
	DATE: 20 JUL 2007	SHEET 2 OF 3	DRAWN BY: W. CLARK

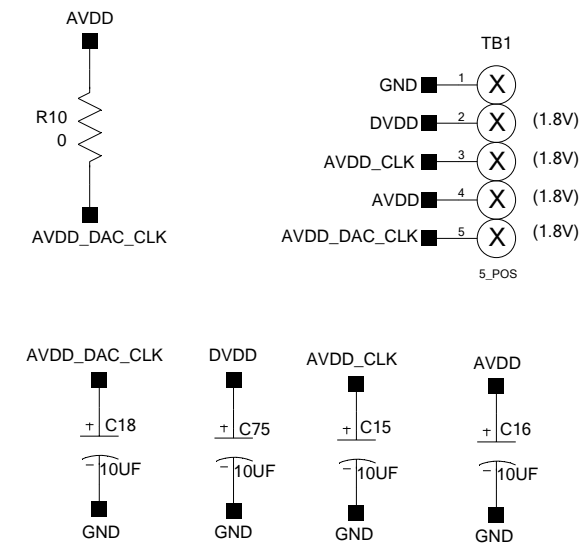
REVISIONS			
REV	DESCRIPTION	DATE	APPROVED

LDO REGULATORS

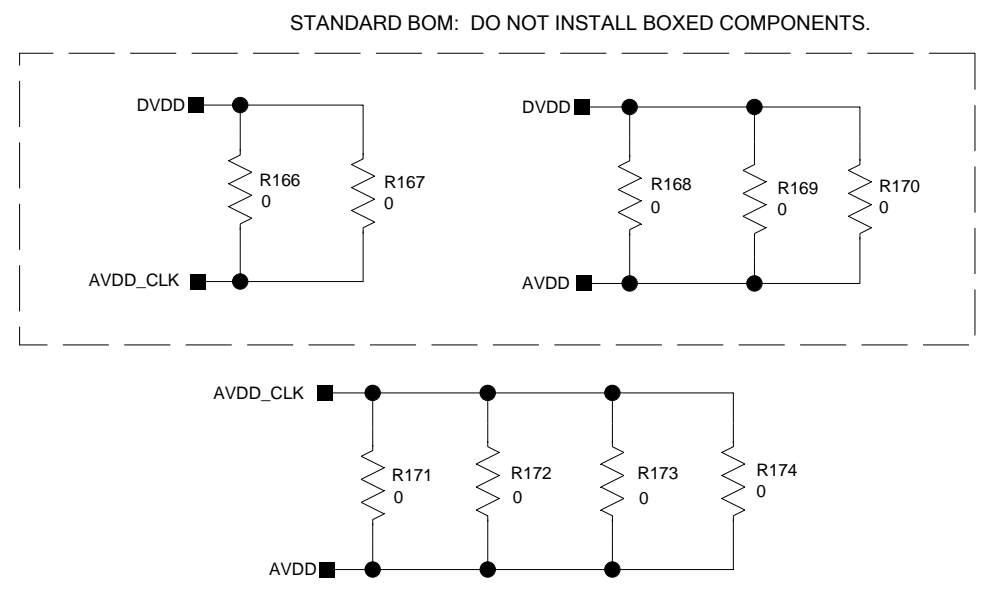


ATTENTION!
 IF USING AN EXTERNAL POWER SUPPLY ON TB1 (INSTEAD OF LDO PER STANDARD BOM):
 REMOVE CORRESPONDING LDO FERRITE FIRST.

OPTIONAL EXTERNAL POWER SUPPLIES



OPTIONAL POWER PLANE STITCHING



STANDARD BOM: DO NOT INSTALL BOXED COMPONENTS.

OPT. EXTERNAL 5VDC

	HSC GREENSBORO 7910 TRIAD CENTER DRIVE GREENSBORO NC 27409	TITLE AD9913 EVALUATION BOARD	
	DATE: 21 APR 2008	SHEET 3 OF 3	DRAWN BY: W. CLARK