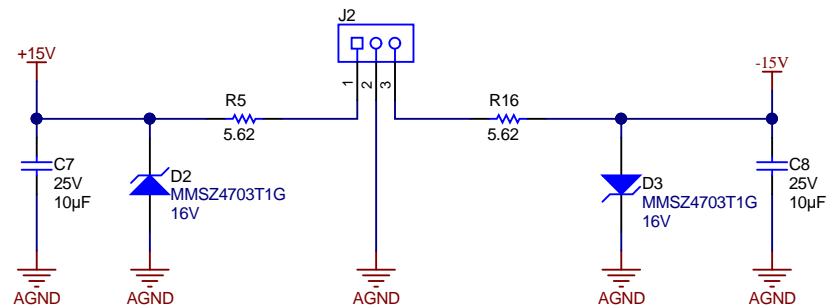
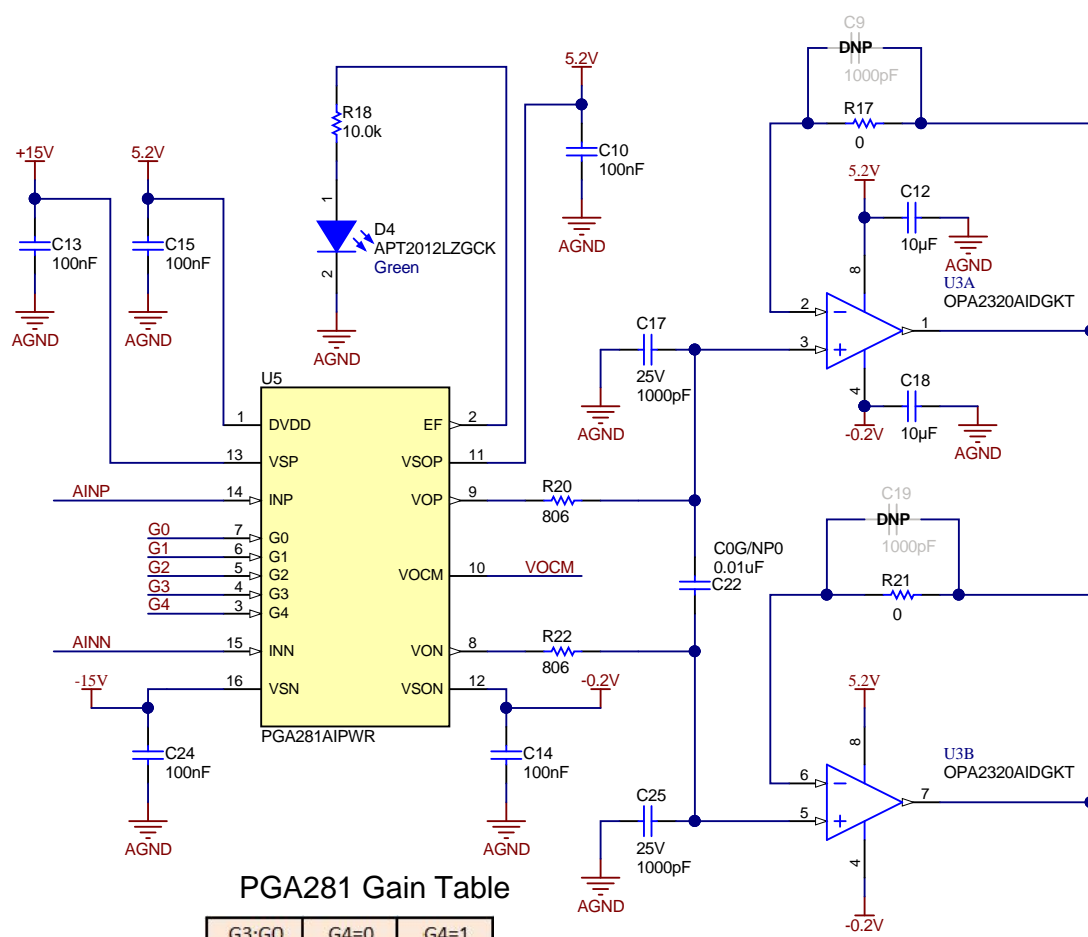


External Lab Supply +/-15V



PGA281 Programmable Amp

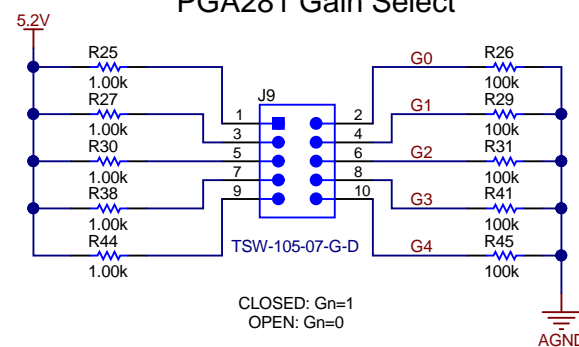


PGA281 Gain Table

G3:G0	G4=0	G4=1
0000	0.125	0.172
0001	0.25	0.344
0010	0.5	0.688
0011	1	1.375
0100	2	2.75
0101	4	5.5
0110	8	11
0111	16	22
1000	32	44
1001	64	88
1010	128	176
1011*	0.125	0.172
1100*	0.125	0.172
1101*	0.125	0.172
1110*	0.125	0.172
1111*	0.125	0.172

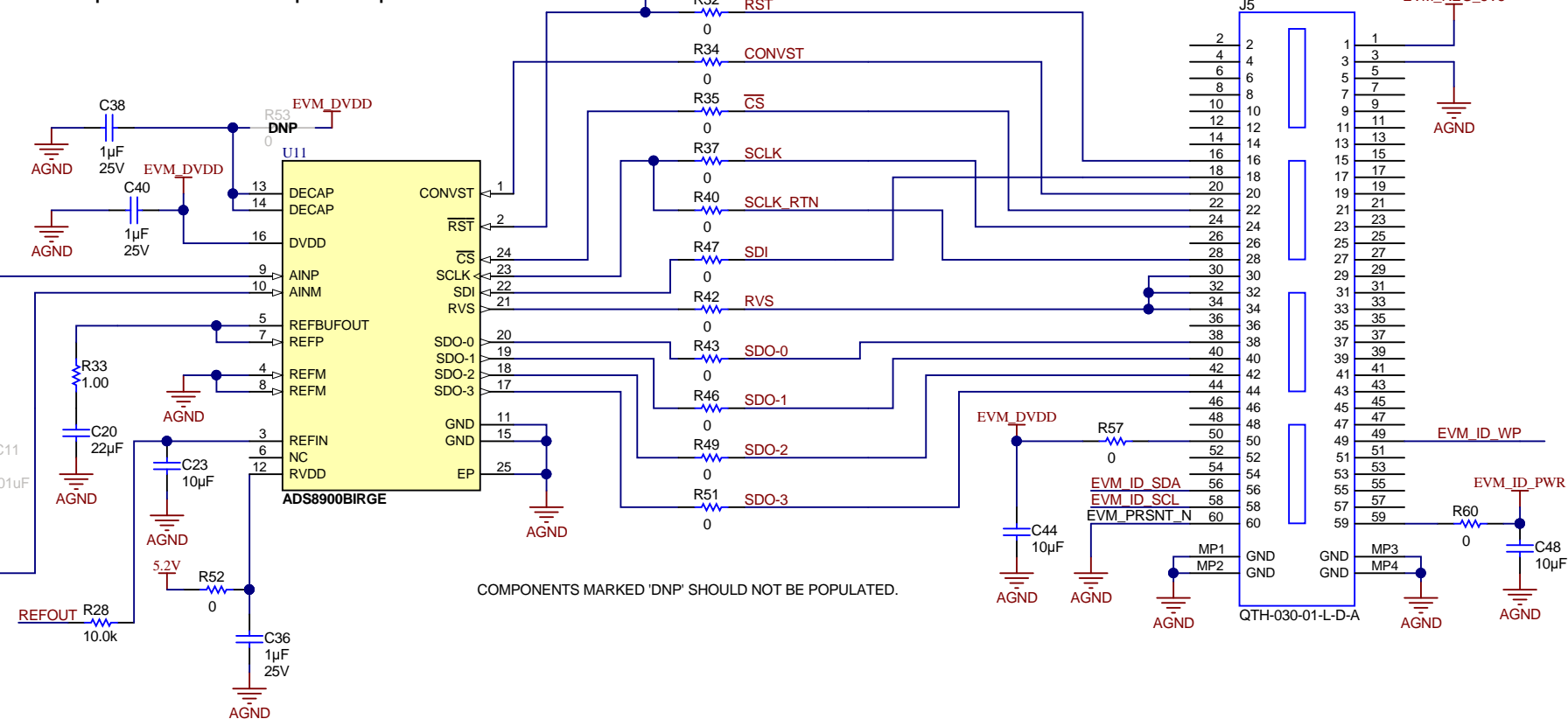
*Reserved

PGA281 Gain Select



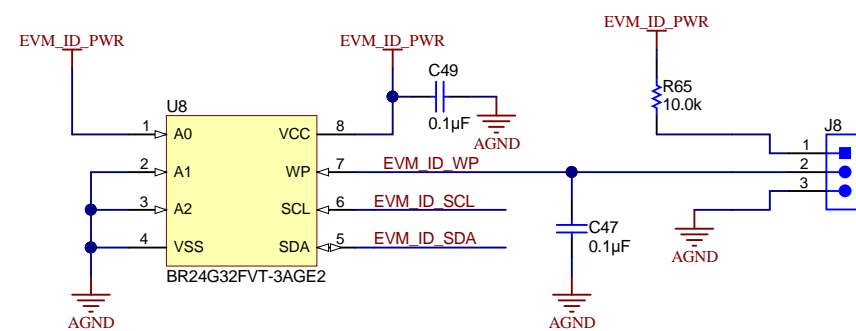
CLOSED: Gn=1
OPEN: Gn=0

ADS8900B plus OPA2320 Input Amp



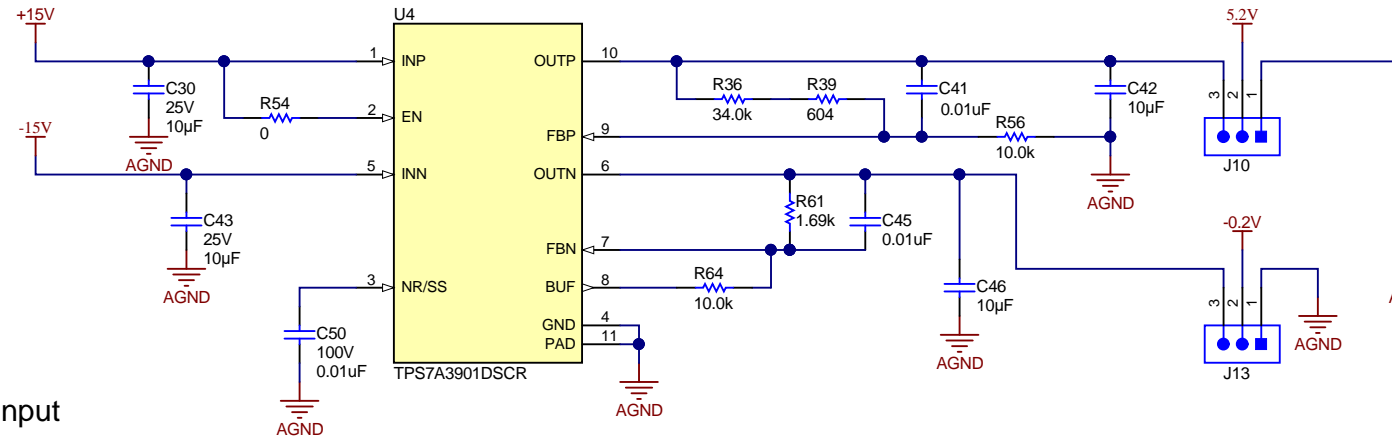
COMPONENTS MARKED 'DNP' SHOULD NOT BE POPULATED.

Evaluation Board EEPROM ID

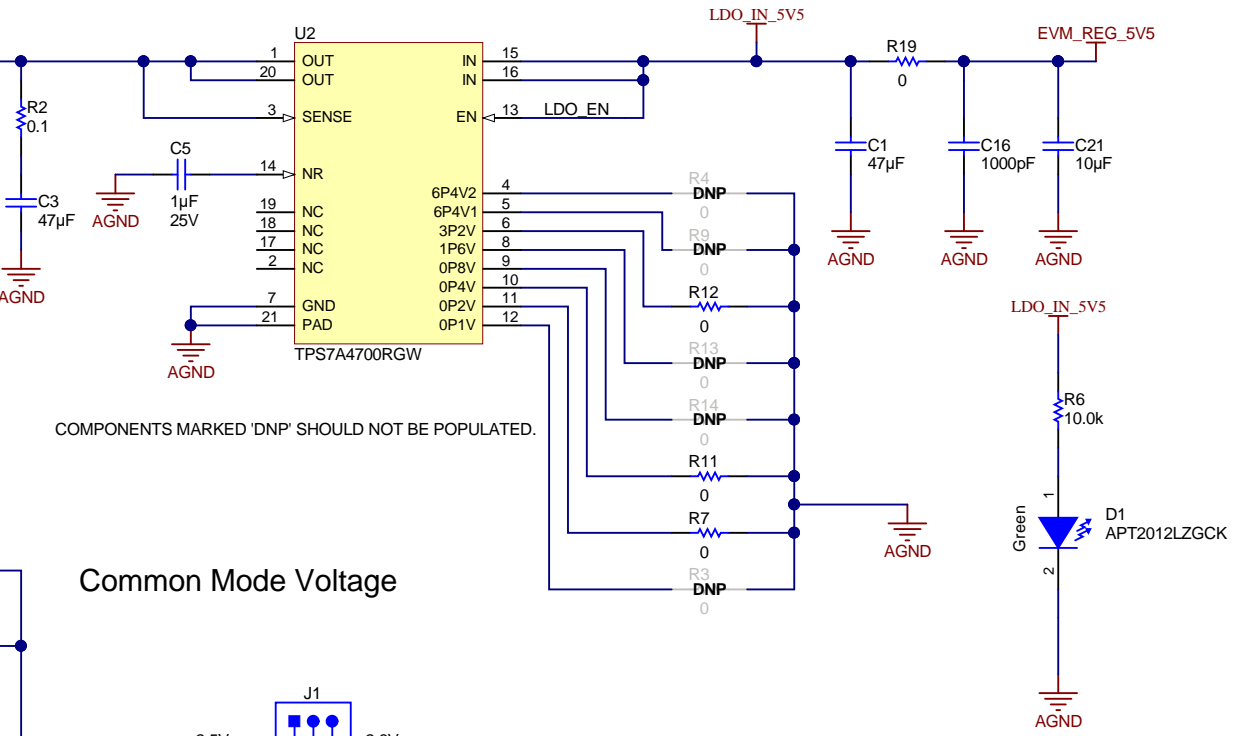


Texas Instruments and/or its licensors do not warrant the accuracy or completeness of this specification or any information contained therein. Texas Instruments and/or its licensors do not warrant that this design will meet the specifications, will be suitable for your application or fit for any particular purpose, or will operate in an implementation. Texas Instruments and/or its licensors do not warrant that the design is production worthy. You should completely validate and test your design implementation to confirm the system functionality for your application.

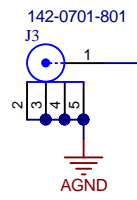
+5.2V, -0.2V regulated from EXT Supply



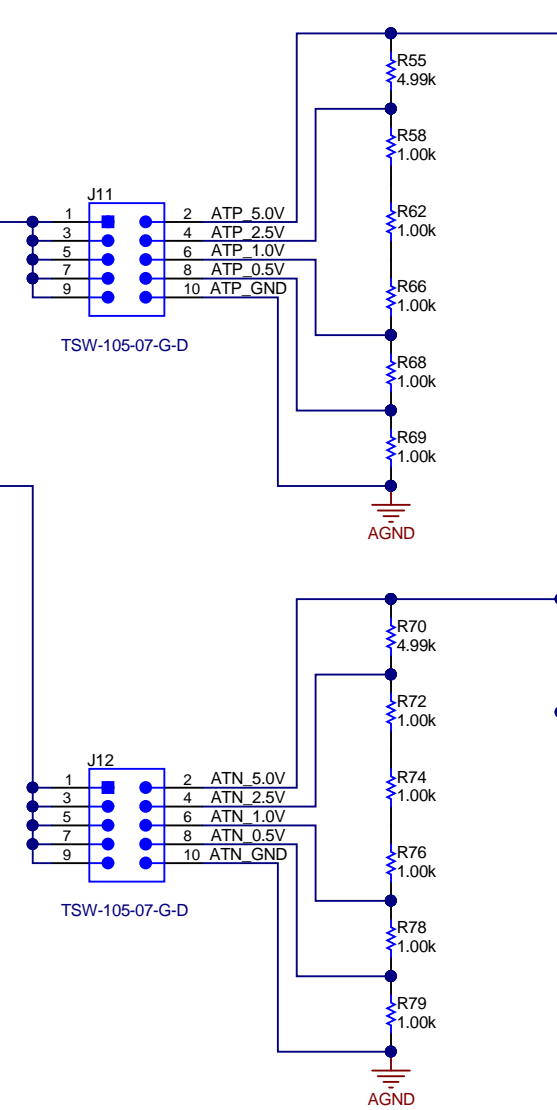
+5.2V System Supply



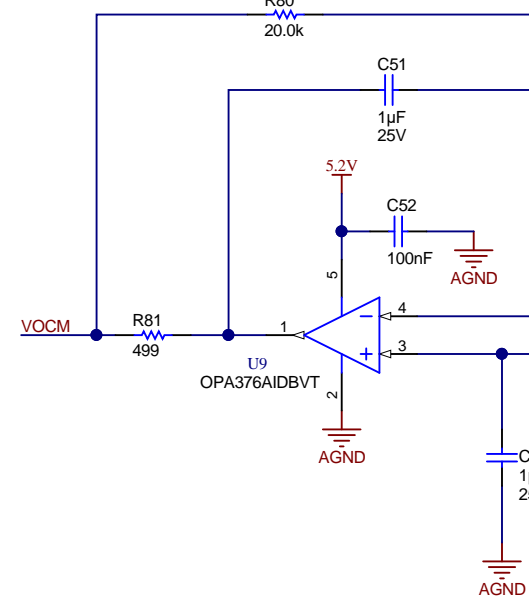
EVM Differential Input



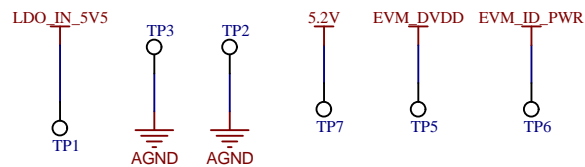
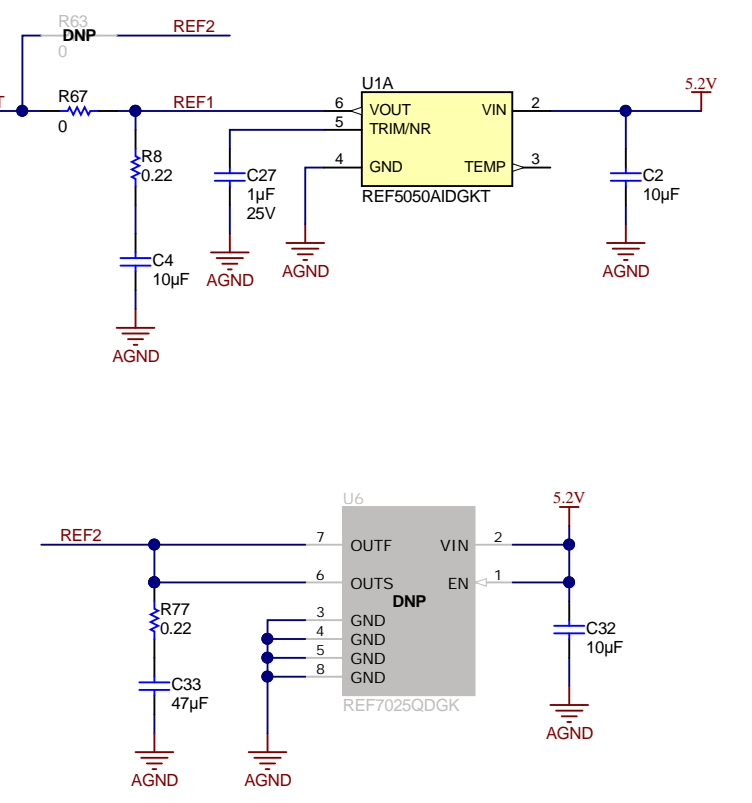
Precision DC Test Signal



Common Mode Voltage



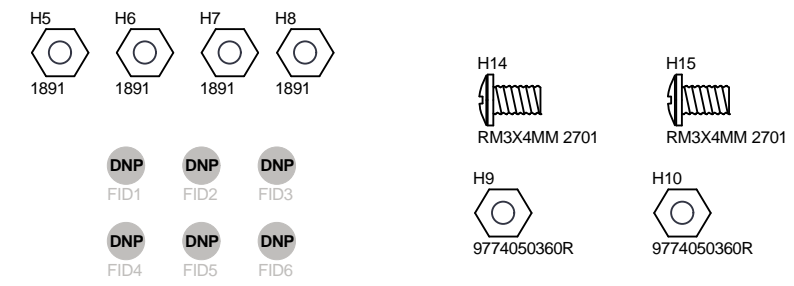
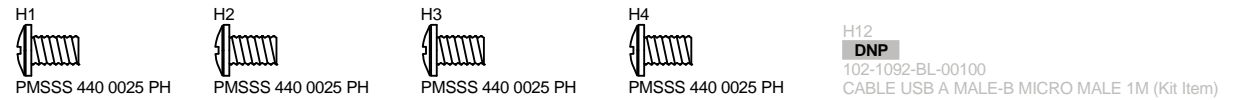
System 5V Reference



Orderable: ADS8900B_PGA281EVM	Designed for: Public	Mod. Date: 7/2/2020
TID #: N/A	Project Title: ADS8900B_PGA281EVM-PDK	
Number: ADS8900pga281 Rev: E1	Sheet Title: Schematic2	
SVN Rev: Not in version control	File: ADS8900PGA281_Schematic2_SchDoc	Sheet: 2 of 3
Drawn By: Keith Nicholas	Contact: http://www.ti.com/support	Size: B
Engineer: Keith Nicholas		

Texas Instruments and/or its licensors do not warrant the accuracy or completeness of this specification or any information contained therein. Texas Instruments and/or its licensors do not warrant that this design will meet the specifications, will be suitable for your application or fit for any particular purpose, or will operate in an implementation. Texas Instruments and/or its licensors do not warrant that the design is production worthy. You should completely validate and test your design implementation to confirm the system functionality for your application.





PCB Number: ADS8900pga281
PCB Rev: E1

Printed Circuit Board for Evaluation of ADS9110

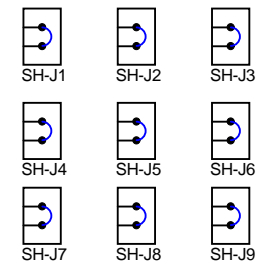
PCB: PHI-EVM-CONTROLLER (Edge# 6591636 rev. B)

USB Controller Board for ADC EVMs (Kit Item)

Logo1
PCB
LOGO
Pb-Free Symbol

Logo2
PCB
LOGO
Texas Instruments

Logo3
PCB
LOGO
FCC disclaimer



Label Table	
Variant	Label Text
001	ADS8900PGA281EVM-PDK

LBL1
PCB Label
Size: 0.65" x 0.20"

ZZ1
Label Assembly Note
This Assembly Note is for PCB labels only

ZZ2
Assembly Note
These assemblies are ESD sensitive, ESD precautions shall be observed.

ZZ3
Assembly Note
These assemblies must be clean and free from flux and all contaminants. Use of no clean flux is not acceptable.

ZZ4
Assembly Note
These assemblies must comply with workmanship standards IPC-A-610 Class 2, unless otherwise specified.

ZZ5
Assembly Note
Place H14 and H15 screws in H9 and H10 standoffs

ZZ6
Assembly Note
Place H1, H2, H3, H4 screws in H5, H6, H8, H9 standoffs

ZZ7
Assembly Note
Mount Shuts at: J2, J4:1-2, and J6:2-3

Orderable: ADS8900B_PGA281EVM	Designed for: Public	Mod. Date: 6/26/2020
TID #: N/A	Project Title: ADS8900B_PGA281EVM-PDK	
Number: ADS8900pga281 Rev: E1	Sheet Title: Hardware	
SVN Rev: Not in version control	Assembly Variant: 001	Sheet: 3 of 3
Drawn By: Keith Nicholas	File: ADS8900PGA281_Hardware.SchDoc	Size: B
Engineer: Keith Nicholas	Contact: http://www.ti.com/support	

Texas Instruments and/or its licensors do not warrant the accuracy or completeness of this specification or any information contained therein. Texas Instruments and/or its licensors do not warrant that this design will meet the specifications, will be suitable for your application or fit for any particular purpose, or will operate in an implementation. Texas Instruments and/or its licensors do not warrant that the design is production worthy. You should completely validate and test your design implementation to confirm the system functionality for your application.

