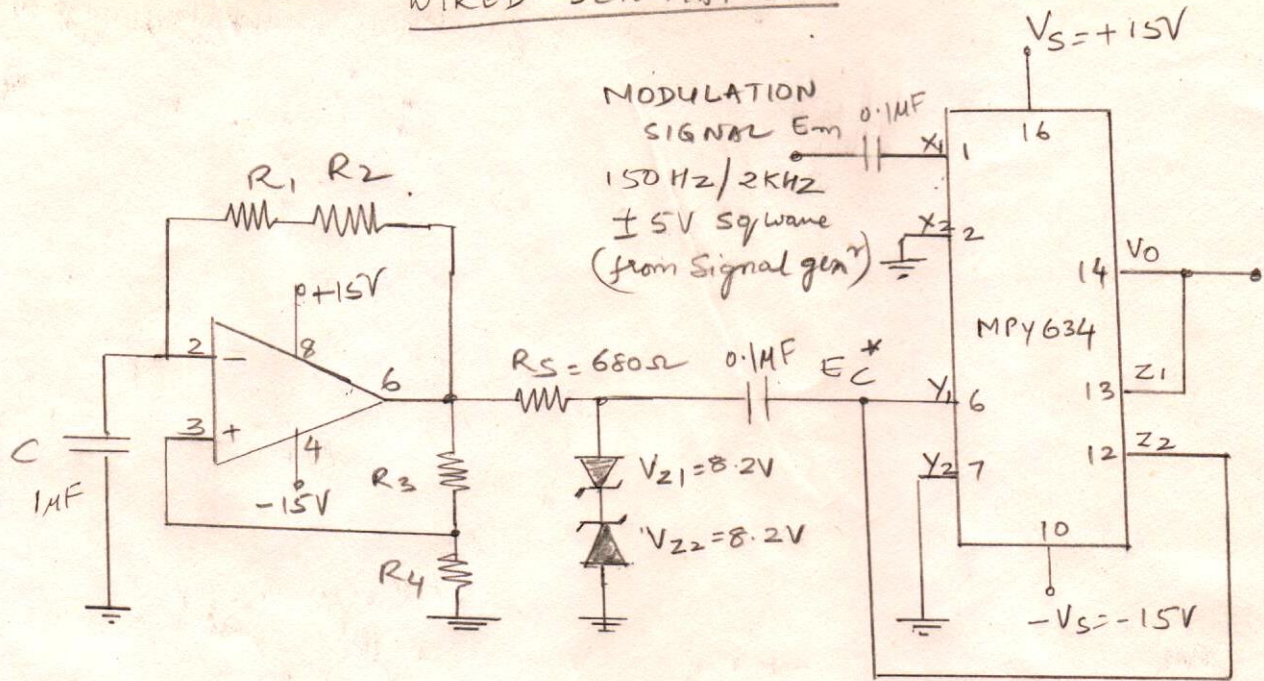


WIRED SCHEMATIC



* $E_c = 2\text{ KHz}$ (square); $V_{ref} = +$