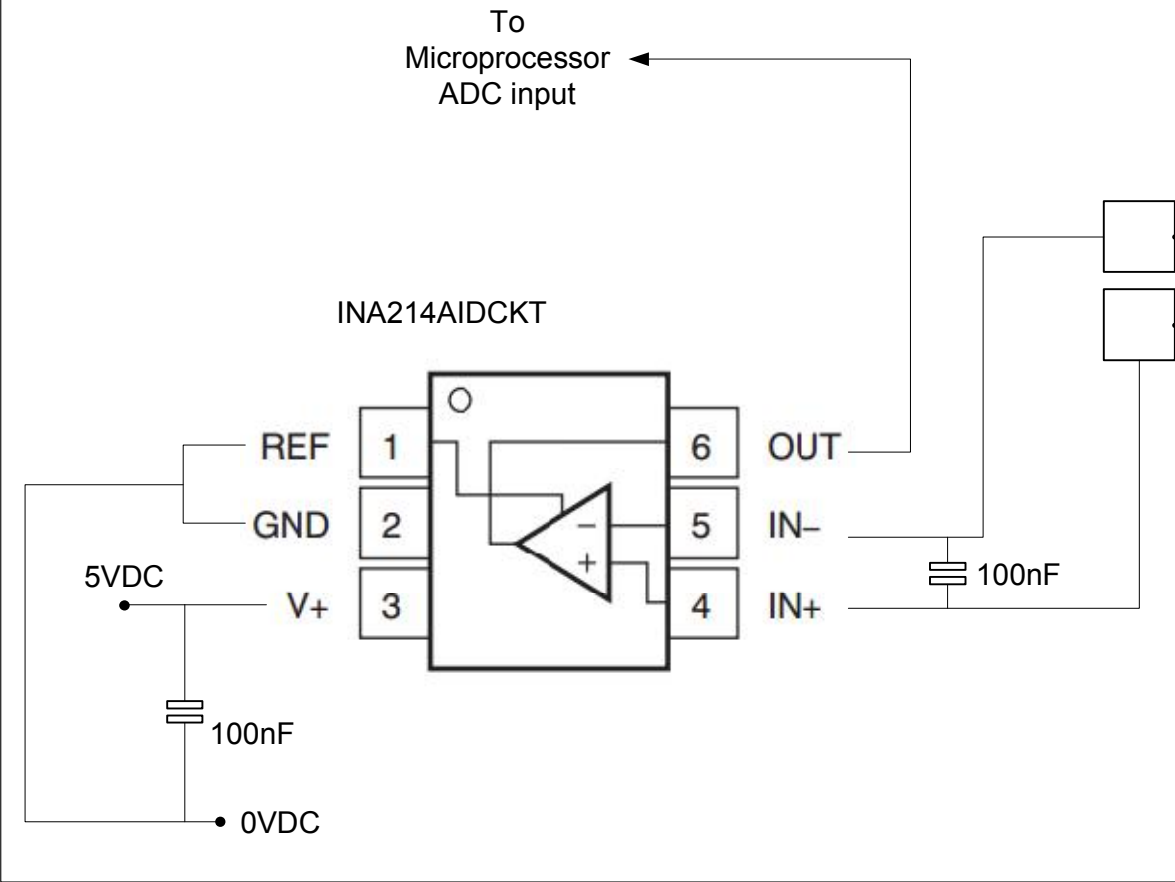


PCB A



PCB B

