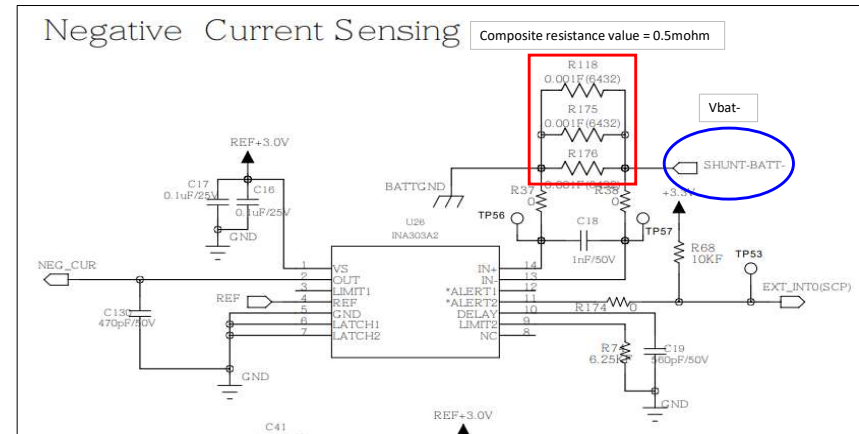
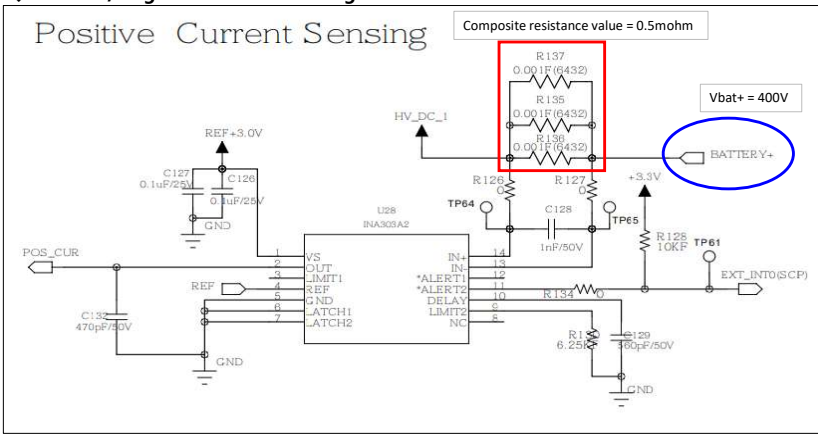


◆ Positive/Negative Current Sensing



◆ Connect Battery Power

SMPS

