

A

B

C

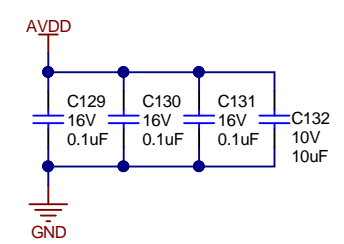
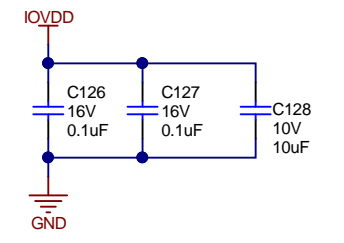
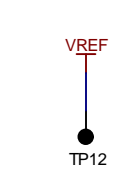
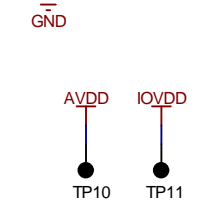
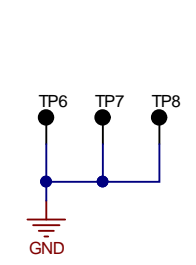
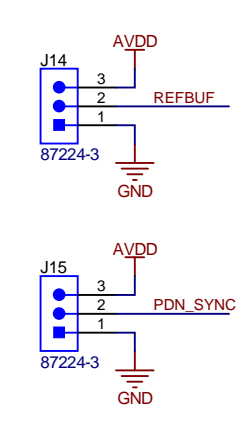
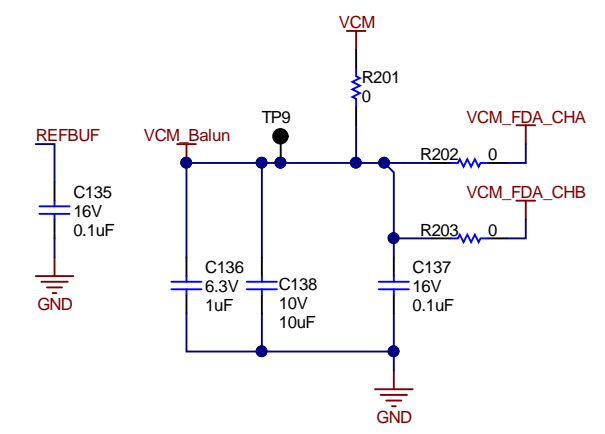
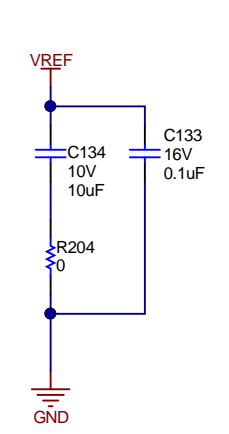
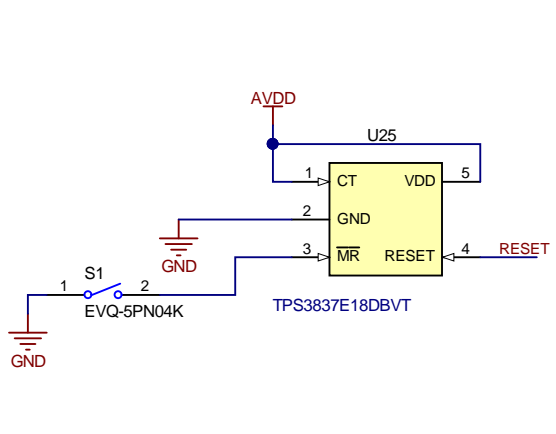
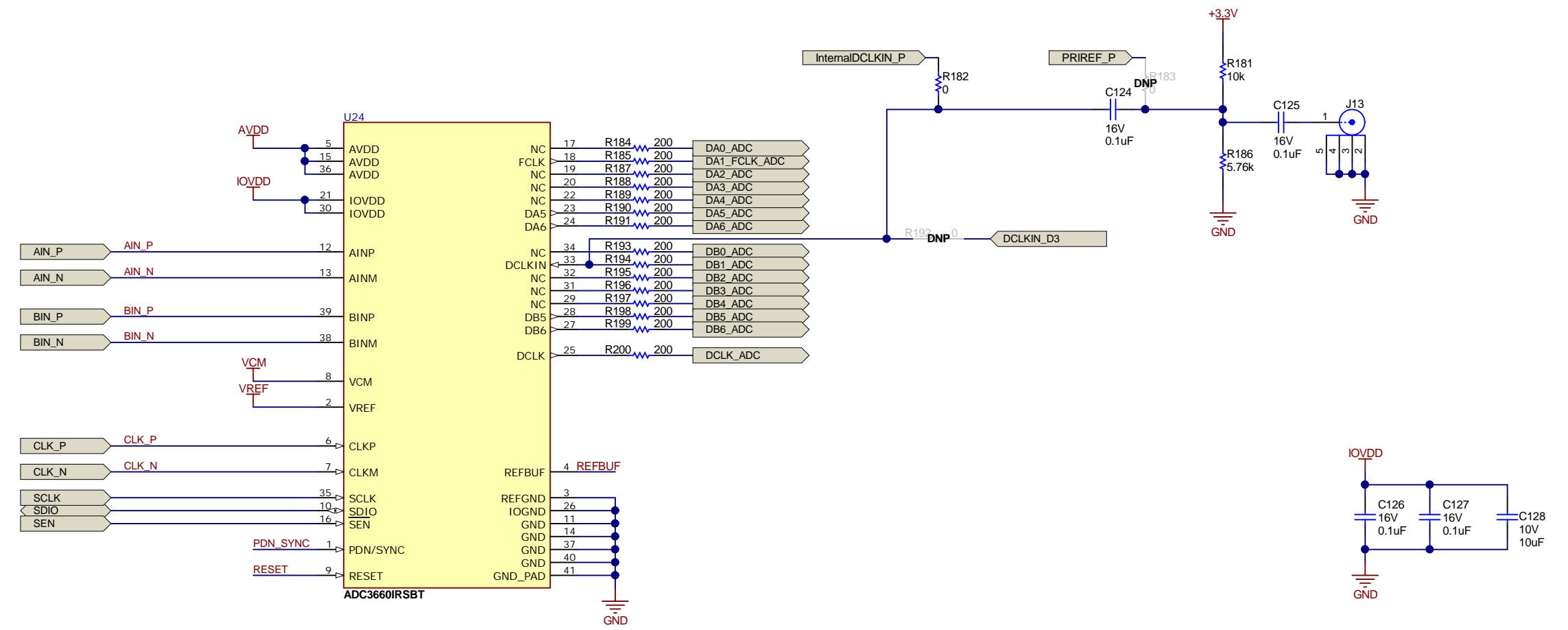
D

A

B

C

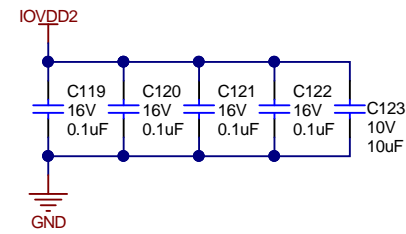
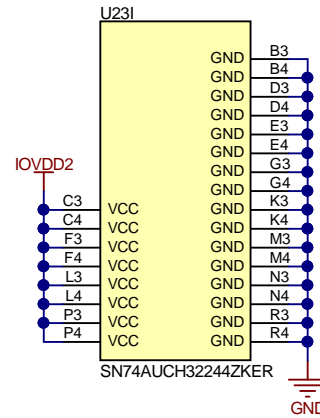
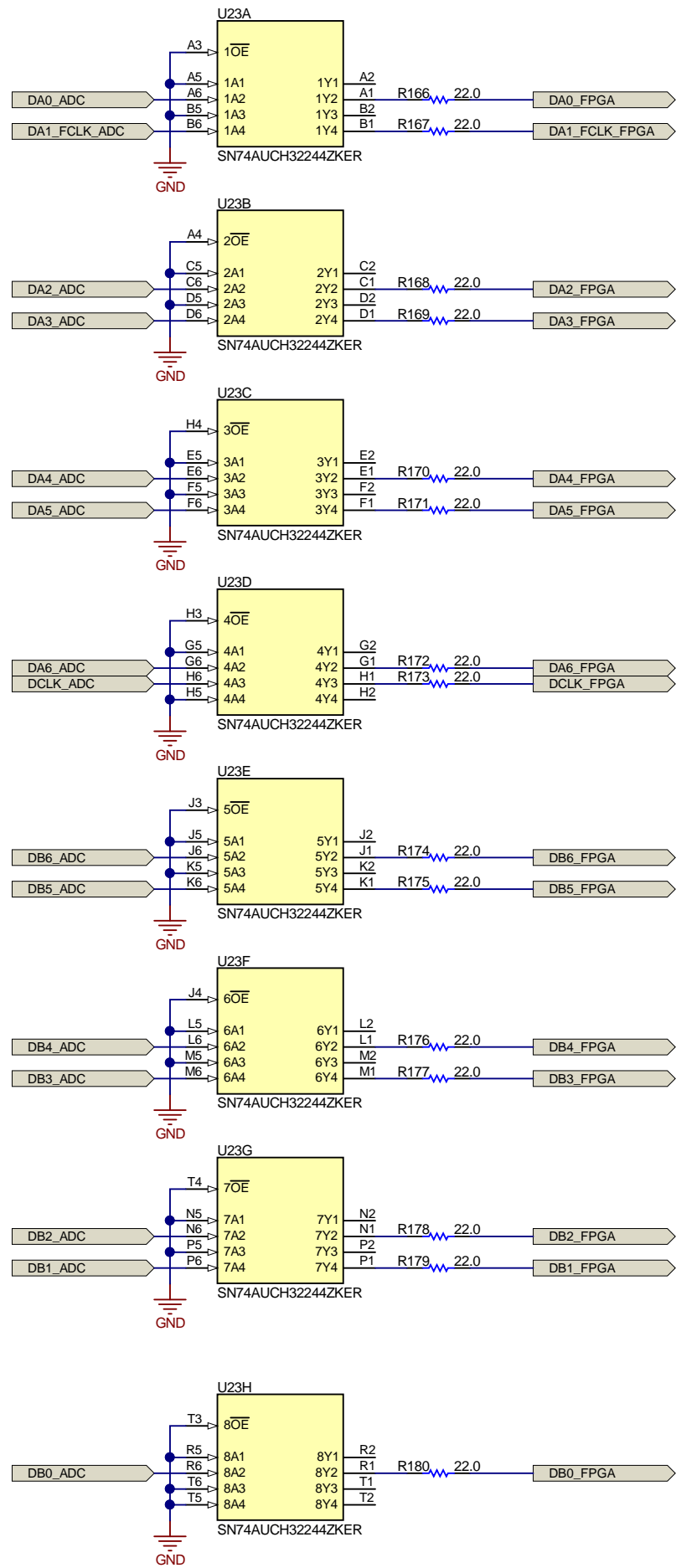
D



Texas Instruments and/or its licensors do not warrant the accuracy or completeness of this specification or any information contained therein. Texas Instruments and/or its licensors do not warrant that this design will meet the specifications, will be suitable for your application or fit for any particular purpose, or will operate in an implementation. Texas Instruments and/or its licensors do not warrant that the design is production worthy. You should completely validate and test your design implementation to confirm the system functionality for your application.

|                                 |  |                      |
|---------------------------------|--|----------------------|
| Orderable: ADC3643EVM           | Designed for: Public Release   | Mod. Date: 9/16/2020 |
| TID #: N/A                      | Project Title: ADC3660EVM  |                      |
| Number: DC104                   | Rev:   | Sheet Title:         |
| SVN Rev: Not in version control | Assembly Variant: 001  | Sheet: 1 of 10       |
| Drawn By:                       | File: DC104A_Device.SchDoc   | Size: B              |
| Engineer: Daniel Brock          | Contact: <a href="http://www.ti.com/support">http://www.ti.com/support</a> |                      |





|                                 |  |                      |
|---------------------------------|--|----------------------|
| Orderable: ADC3643EVM           | Designed for: Public Release   | Mod. Date: 9/16/2020 |
| TID #: N/A                      | Project Title: ADC3660EVM  |                      |
| Number: DC104                   | Rev:   | Sheet Title:         |
| SVN Rev: Not in version control | Assembly Variant: 001  | Sheet: 2 of 10       |
| Drawn By:                       | File: DC104A_Buffer.SchDoc   | Size: B              |
| Engineer: Daniel Brock          | Contact: <a href="http://www.ti.com/support">http://www.ti.com/support</a> |                      |

Texas Instruments and/or its licensors do not warrant the accuracy or completeness of this specification or any information contained therein. Texas Instruments and/or its licensors do not warrant that this design will meet the specifications, will be suitable for your application or fit for any particular purpose, or will operate in an implementation. Texas Instruments and/or its licensors do not warrant that the design is production worthy. You should completely validate and test your design implementation to confirm the system functionality for your application.

A

B

C

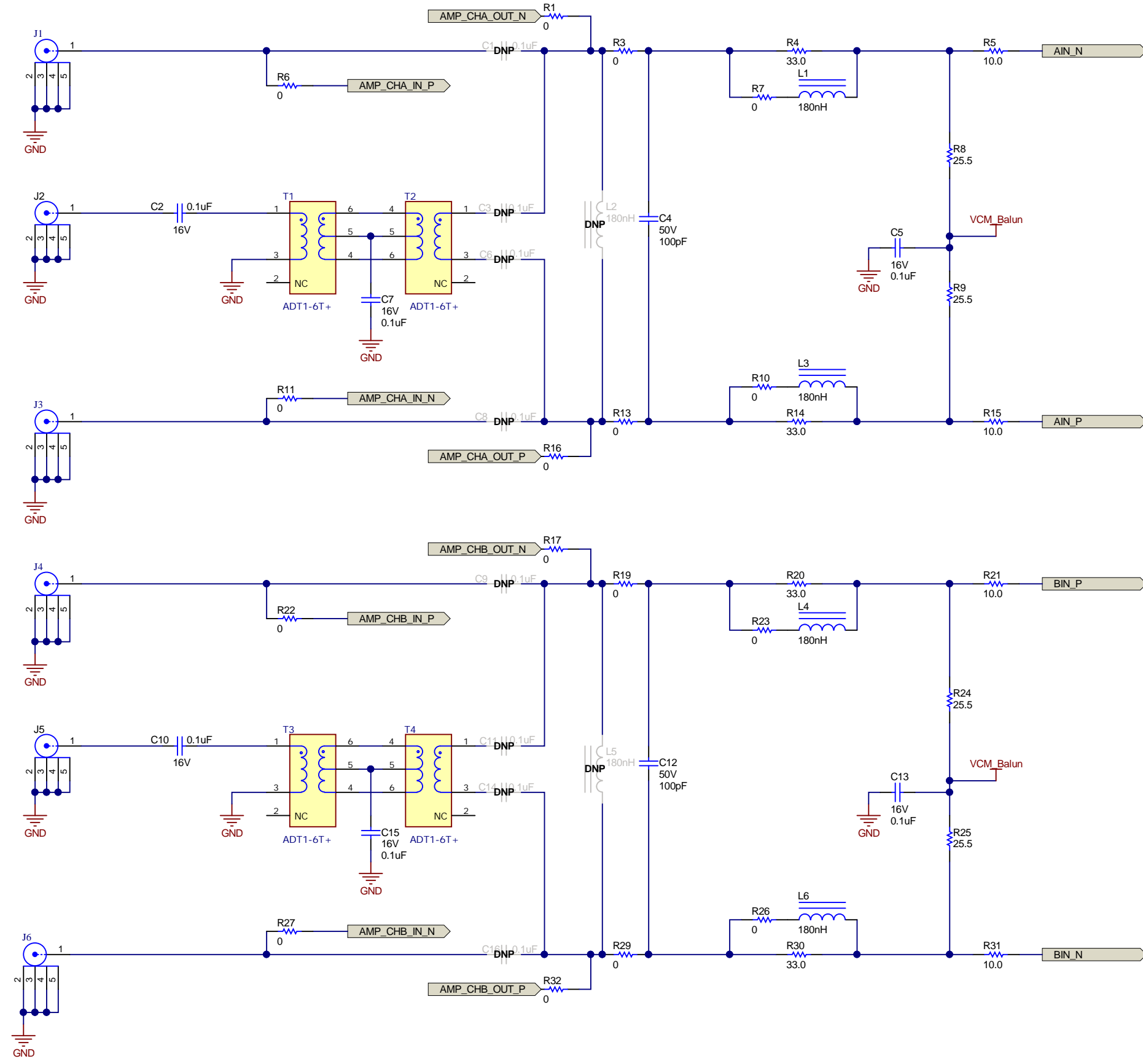
D

A

B

C

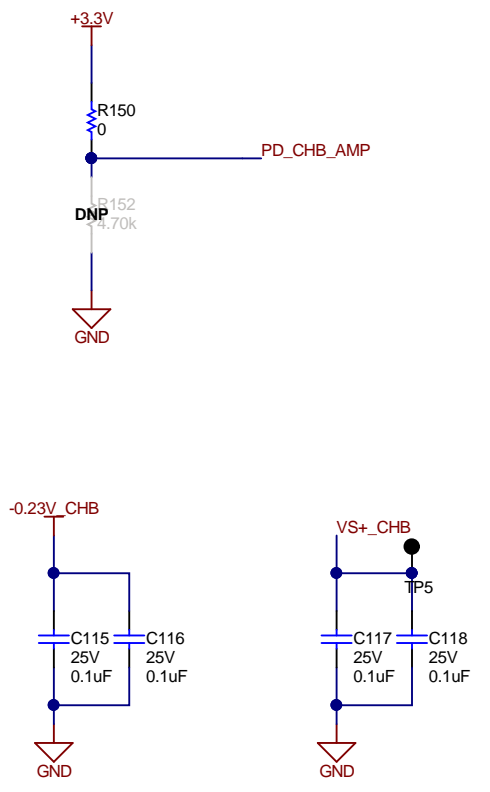
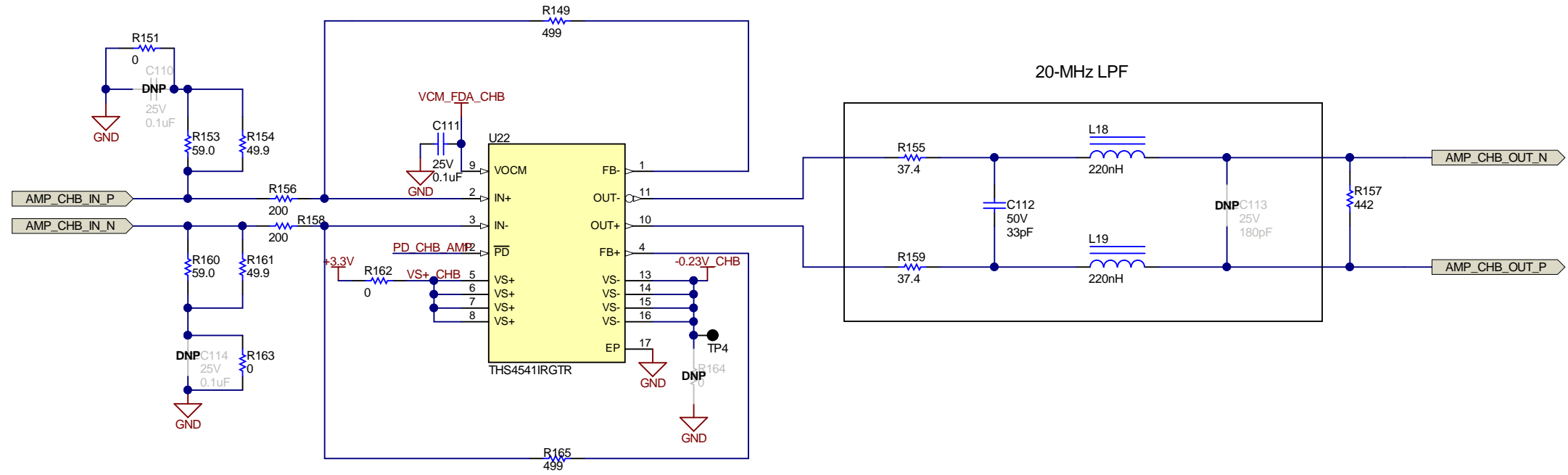
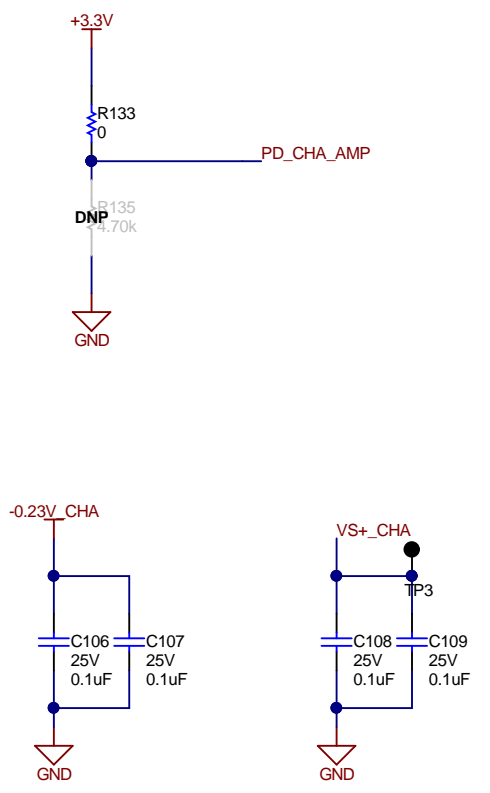
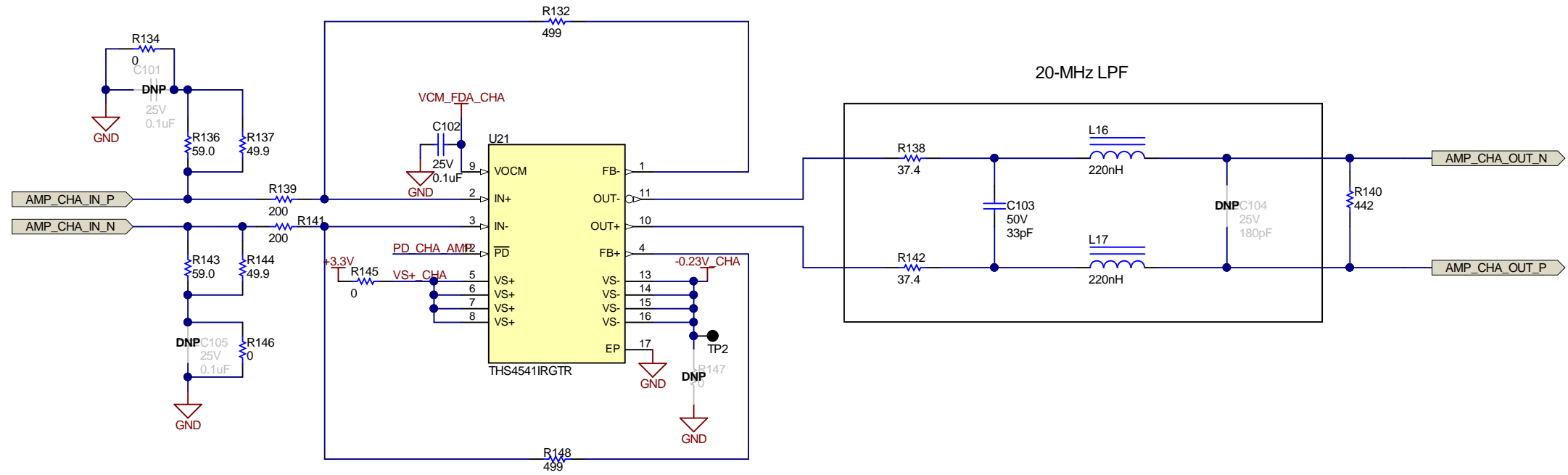
D



Texas Instruments and/or its licensors do not warrant the accuracy or completeness of this specification or any information contained therein. Texas Instruments and/or its licensors do not warrant that this design will meet the specifications, will be suitable for your application or fit for any particular purpose, or will operate in an implementation. Texas Instruments and/or its licensors do not warrant that the design is production worthy. You should completely validate and test your design implementation to confirm the system functionality for your application.

|                                 |  |                      |
|---------------------------------|--|----------------------|
| Orderable: ADC3643EVM           | Designed for: Public Release   | Mod. Date: 9/17/2020 |
| TID #: N/A                      | Project Title: ADC3660EVM  |                      |
| Number: DC104                   | Rev:   | Sheet Title:         |
| SVN Rev: Not in version control | Assembly Variant: 001  | Sheet: 3 of 10       |
| Drawn By:                       | File: DC104A_Balun.SchDoc  | Size: B              |
| Engineer: Daniel Brock          | Contact: <a href="http://www.ti.com/support">http://www.ti.com/support</a> |                      |



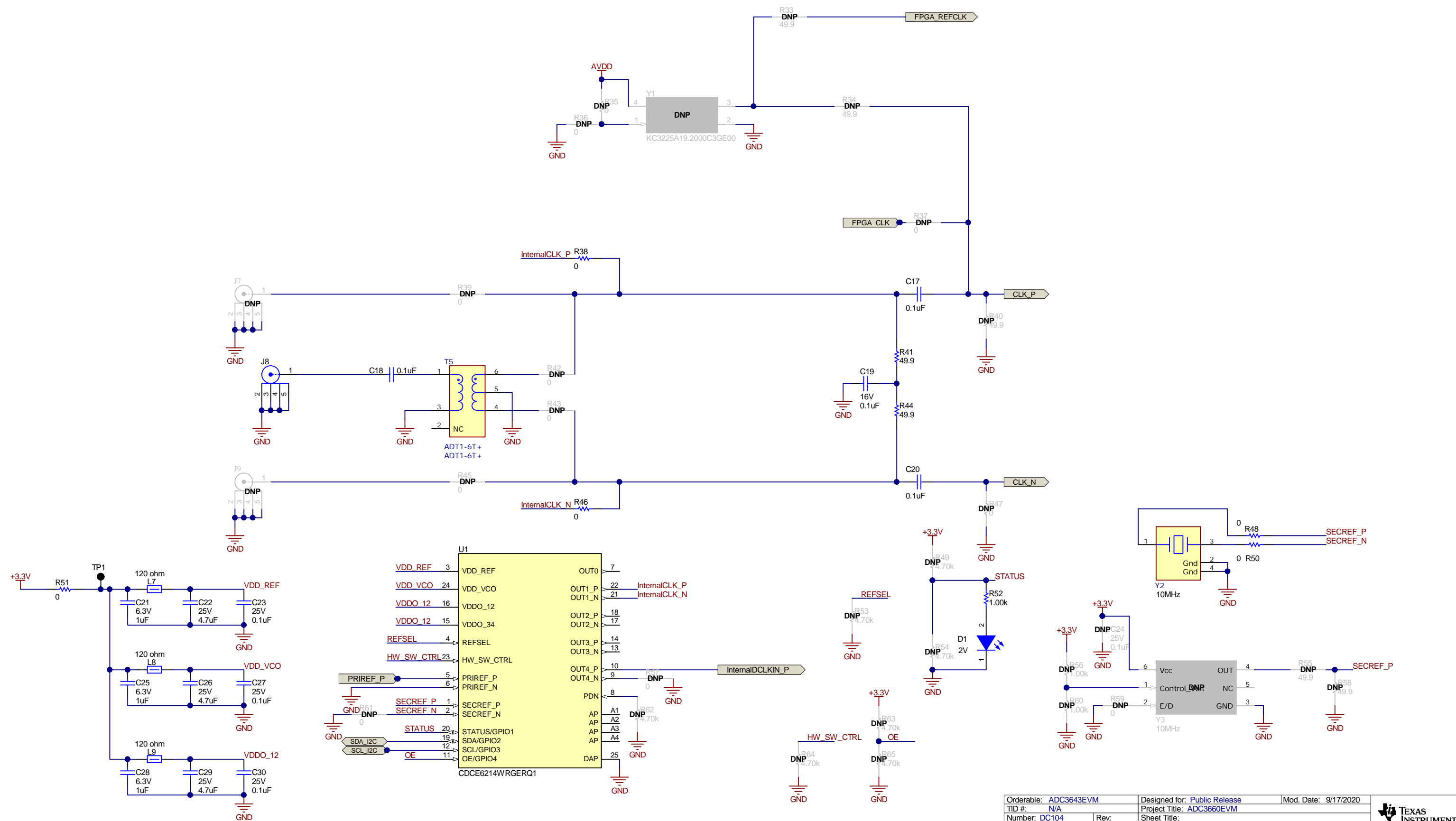


Texas Instruments and/or its licensors do not warrant the accuracy or completeness of this specification or any information contained therein. Texas Instruments and/or its licensors do not warrant that this design will meet the specifications, will be suitable for your application or fit for any particular purpose, or will operate in an implementation. Texas Instruments and/or its licensors do not warrant that the design is production worthy. You should completely validate and test your design implementation to confirm the system functionality for your application.

|                                 |  |                      |
|---------------------------------|--|----------------------|
| Orderable: ADC3643EVM           | Designed for: Public Release   | Mod. Date: 9/16/2020 |
| TID #: N/A                      | Project Title: ADC3660EVM  |                      |
| Number: DC104                   | Rev:   | Sheet Title:         |
| SVN Rev: Not in version control | Assembly Variant: 001  | Sheet: 4 of 10       |
| Drawn By:                       | File: DC104A_FDA.SchDoc  | Size: B              |
| Engineer: Daniel Brock          | Contact: <a href="http://www.ti.com/support">http://www.ti.com/support</a> |                      |



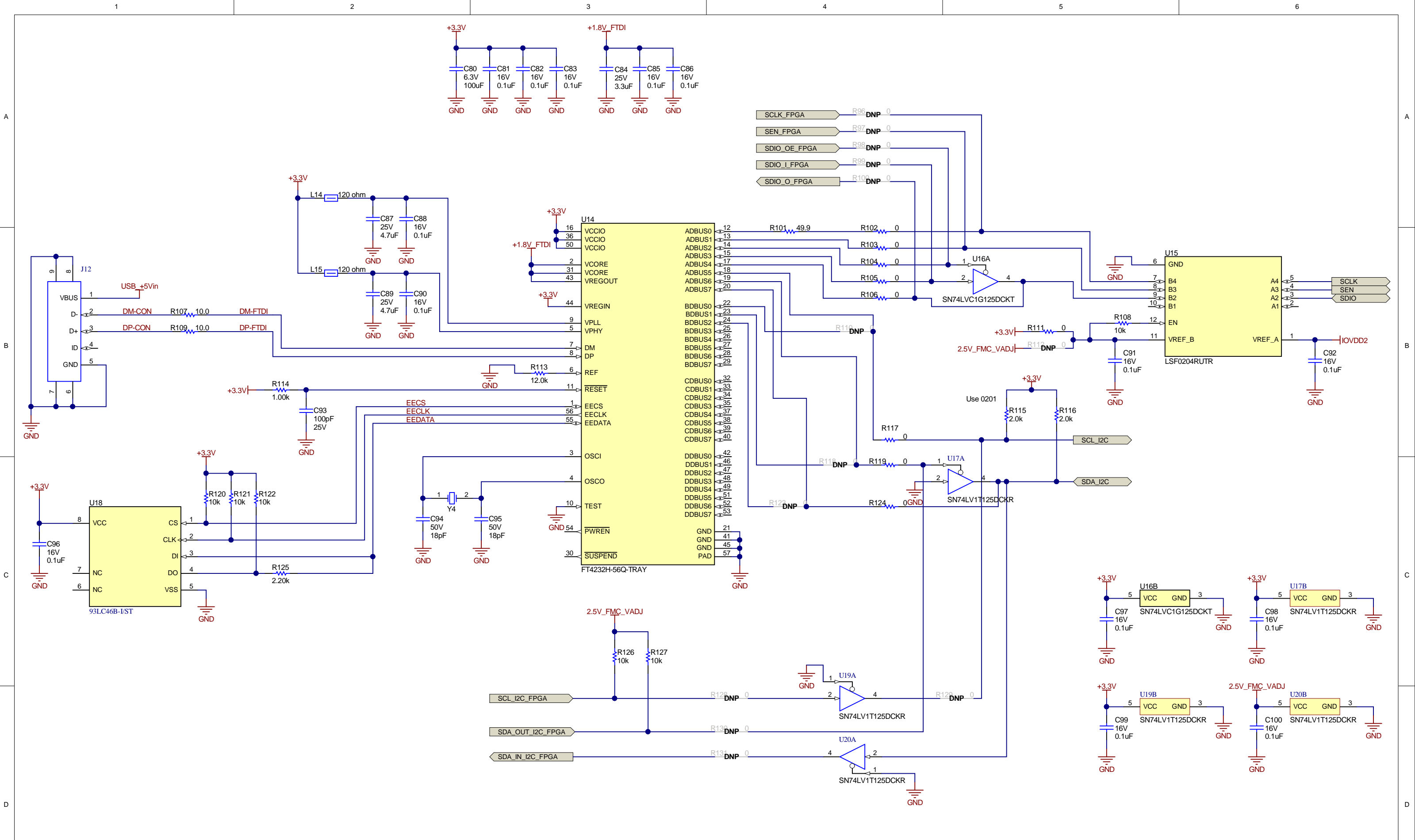
© Texas Instruments 2020



Texas Instruments and/or its licensors do not warrant the accuracy or completeness of this specification or any information contained therein. Texas Instruments and/or its licensors do not warrant that this design will meet the specifications, will be suitable for your application or fit for any particular purpose, or will operate in an implementation. Texas Instruments and/or its licensors do not warrant that the design is production worthy. You should completely validate and test your design implementation to confirm the system functionality for your application.

|                                 |  |                      |
|---------------------------------|--|----------------------|
| Orderable: ADC3643EVM           | Designed for: Public Release   | Mod. Date: 9/17/2020 |
| TID #: N/A                      | Project Title: ADC3660EVM  |                      |
| Number: DC104                   | Rev:   | Sheet Title:         |
| SVN Rev: Not in version control | Assembly Variant: 001  | Sheet: 5 of 10       |
| Drawn By:                       | File: DC104A_CLK.SchDoc  | Size: B              |
| Engineer: Daniel Brock          | Contact: <a href="http://www.ti.com/support">http://www.ti.com/support</a> |                      |





Texas Instruments and/or its licensors do not warrant the accuracy or completeness of this specification or any information contained therein. Texas Instruments and/or its licensors do not warrant that this design will meet the specifications, will be suitable for your application or fit for any particular purpose, or will operate in an implementation. Texas Instruments and/or its licensors do not warrant that the design is production worthy. You should completely validate and test your design implementation to confirm the system functionality for your application.

|                                 |  |                      |
|---------------------------------|--|----------------------|
| Orderable: ADC3643EVM           | Designed for: Public Release   | Mod. Date: 9/17/2020 |
| TID #: N/A                      | Project Title: ADC3660EVM  |                      |
| Number: DC104                   | Rev: Sheet Title:  |                      |
| SVN Rev: Not in version control | Assembly Variant: 001  | Sheet: 6 of 10       |
| Drawn By: Daniel Brock          | File: DC104A_USB_SchDoc  | Size: B              |
| Engineer: Daniel Brock          | Contact: <a href="http://www.ti.com/support">http://www.ti.com/support</a> |                      |



A

B

C

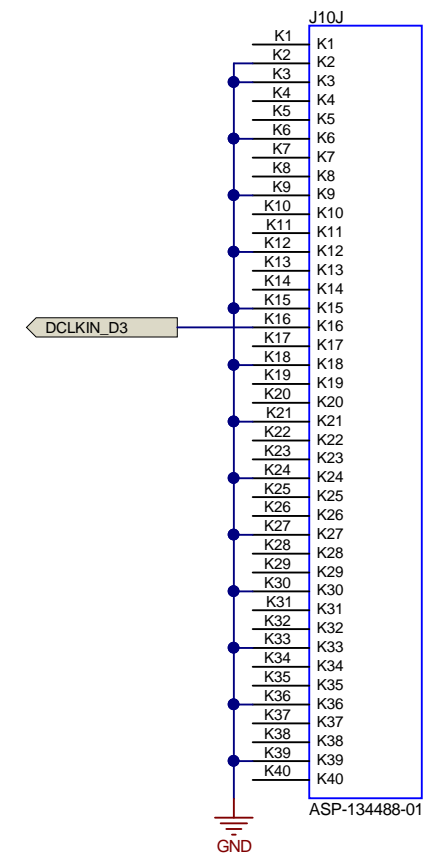
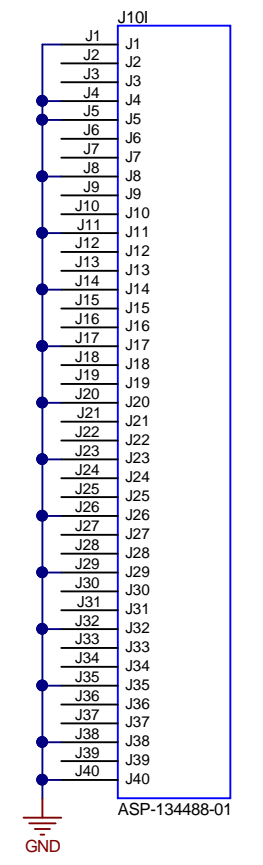
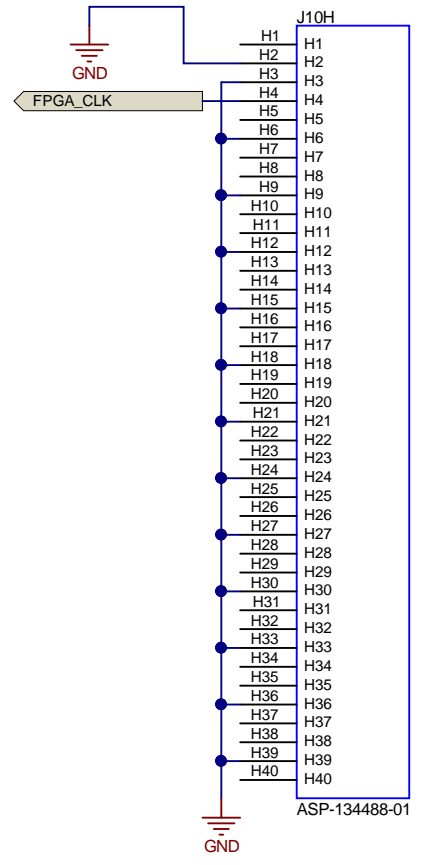
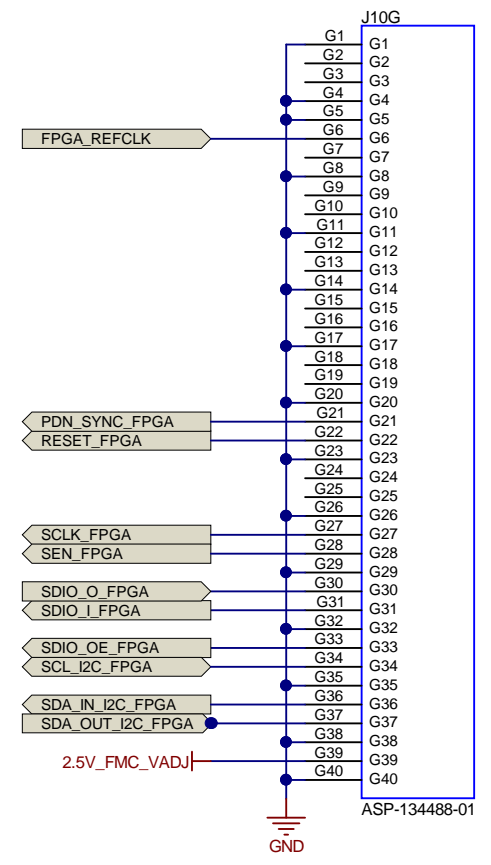
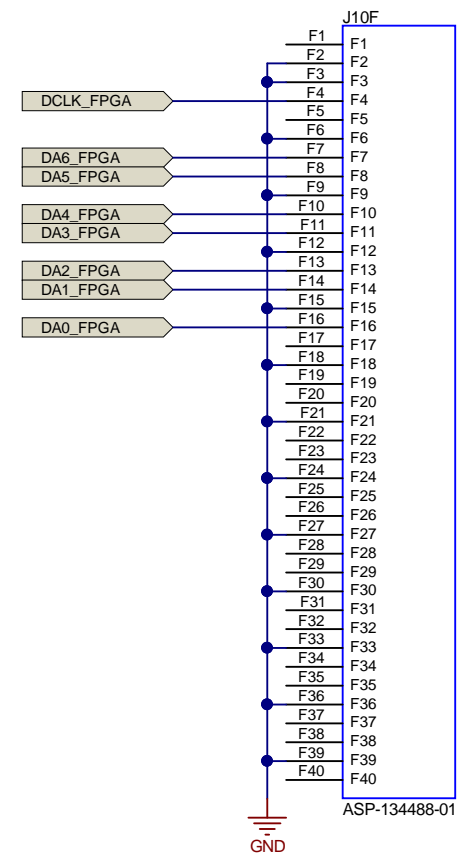
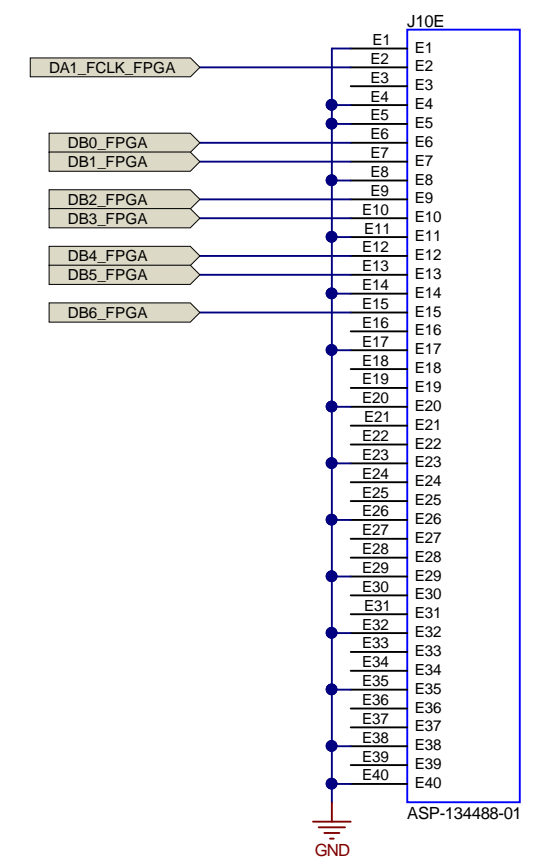
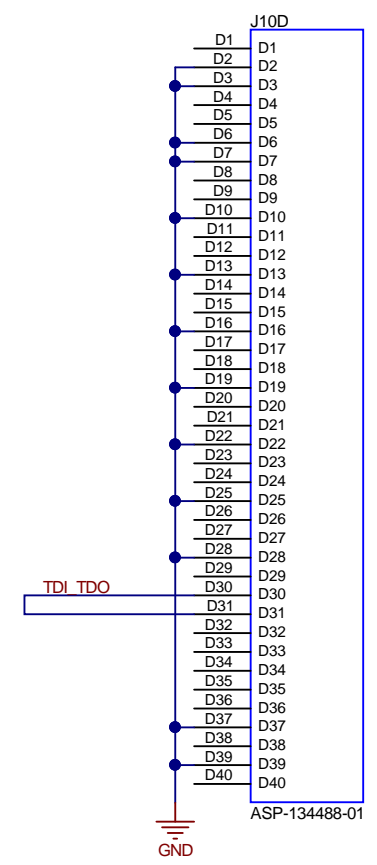
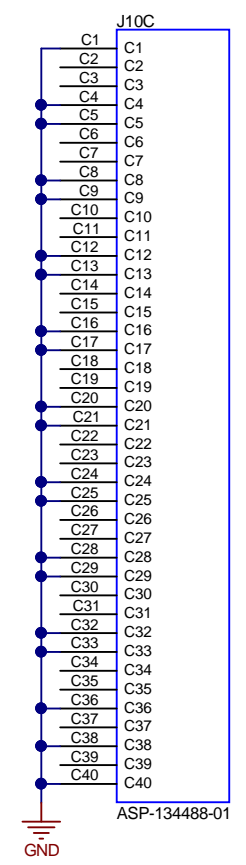
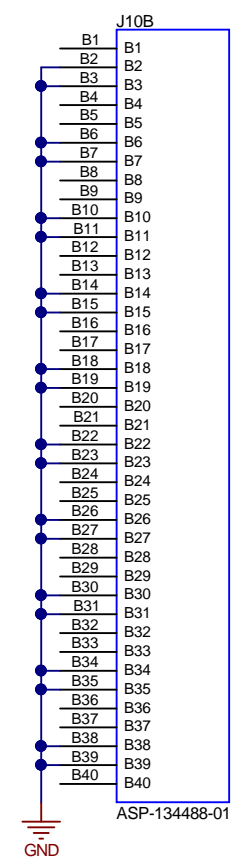
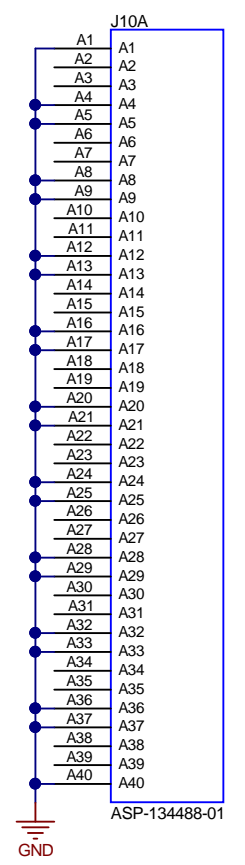
D

A

B

C

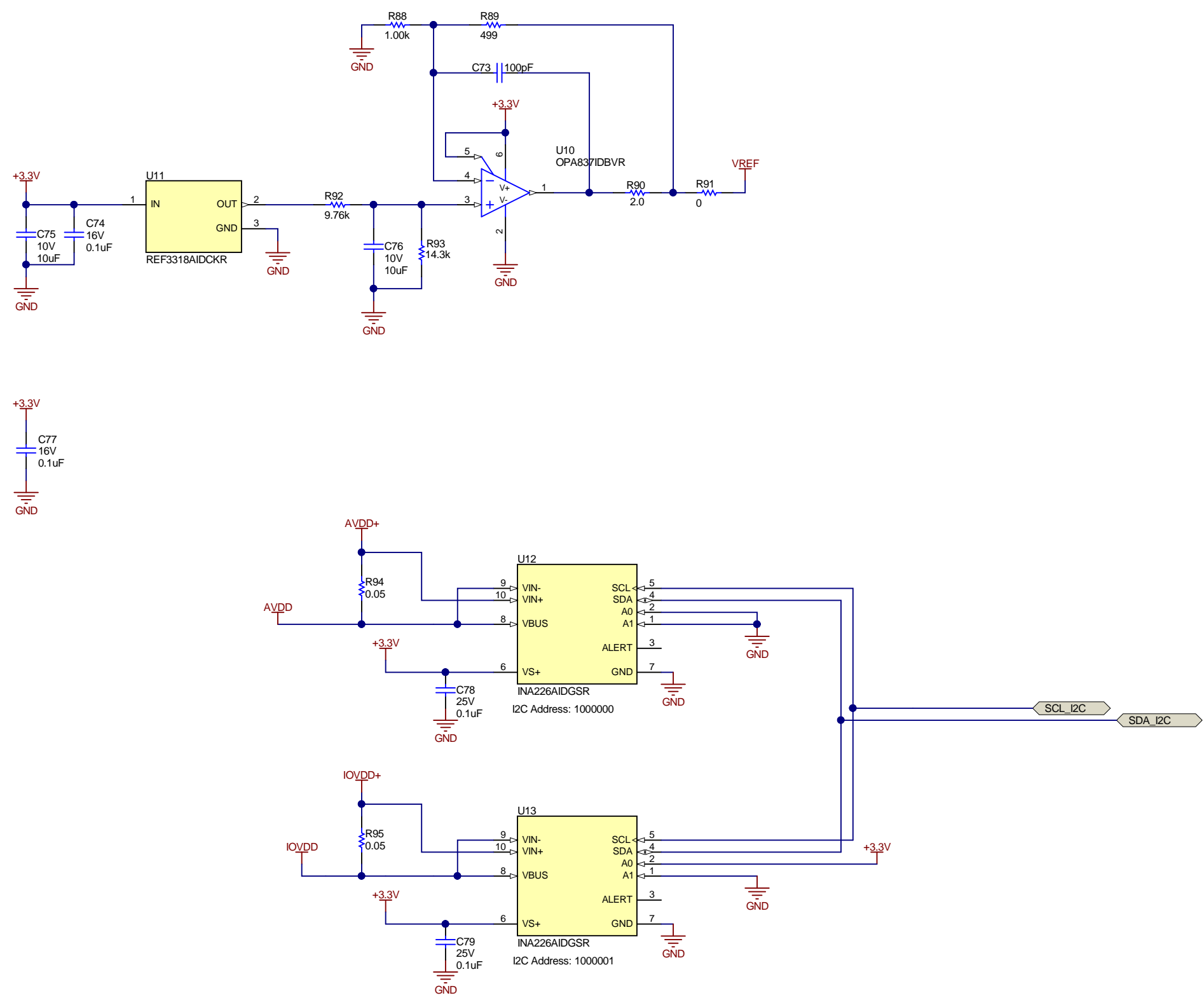
D



Texas Instruments and/or its licensors do not warrant the accuracy or completeness of this specification or any information contained therein. Texas Instruments and/or its licensors do not warrant that this design will meet the specifications, will be suitable for your application or fit for any particular purpose, or will operate in an implementation. Texas Instruments and/or its licensors do not warrant that the design is production worthy. You should completely validate and test your design implementation to confirm the system functionality for your application.

|                                 |  |                      |
|---------------------------------|--|----------------------|
| Orderable: ADC3643EVM           | Designed for: Public Release   | Mod. Date: 9/16/2020 |
| TID #: N/A                      | Project Title: ADC3660EVM  |                      |
| Number: DC104                   | Rev:   | Sheet Title:         |
| SVN Rev: Not in version control | Assembly Variant: 001  | Sheet: 7 of 10       |
| Drawn By:                       | File: DC104A_FMC.SchDoc  | Size: B              |
| Engineer: Daniel Brock          | Contact: <a href="http://www.ti.com/support">http://www.ti.com/support</a> |                      |





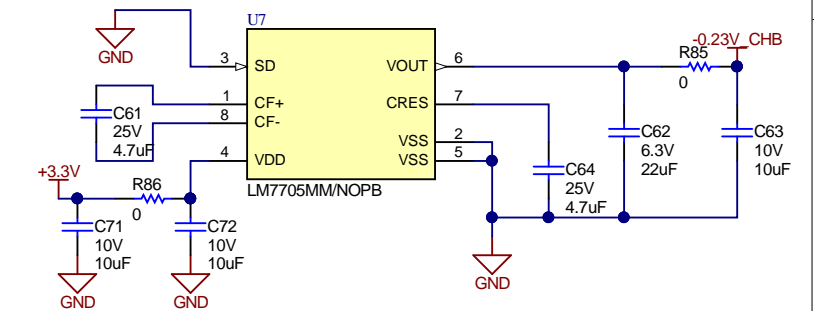
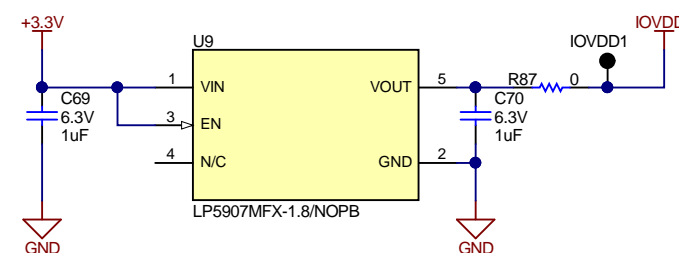
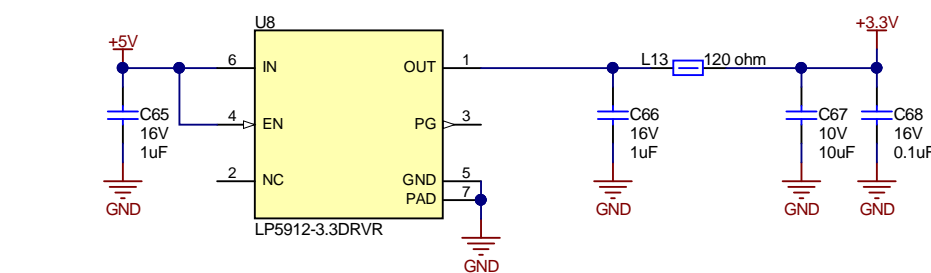
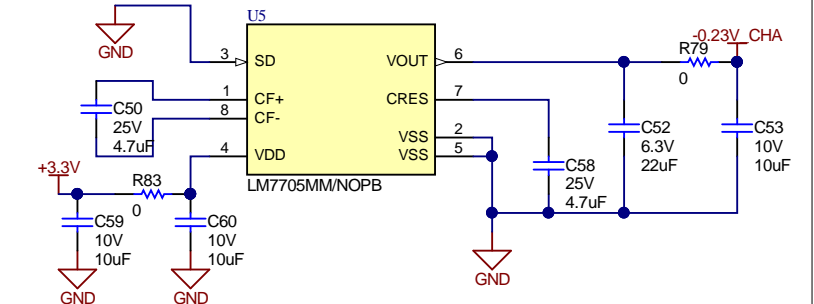
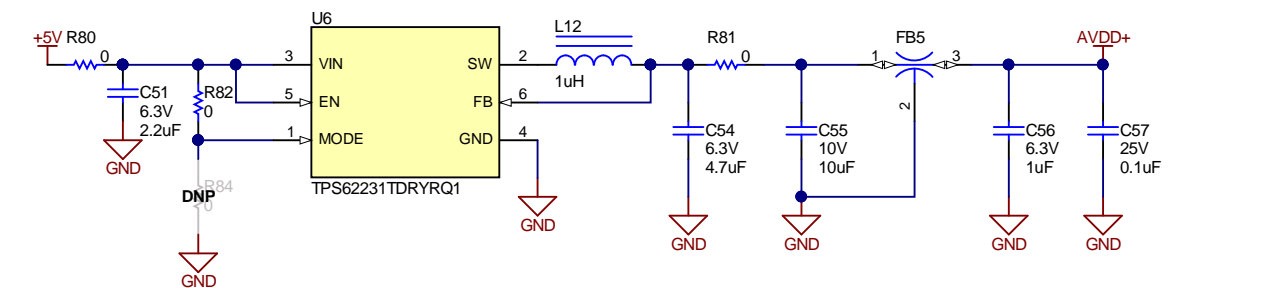
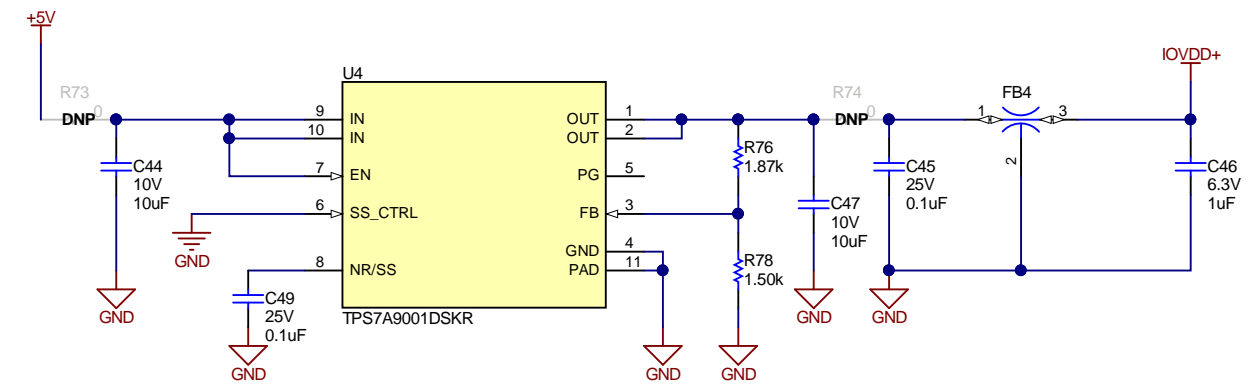
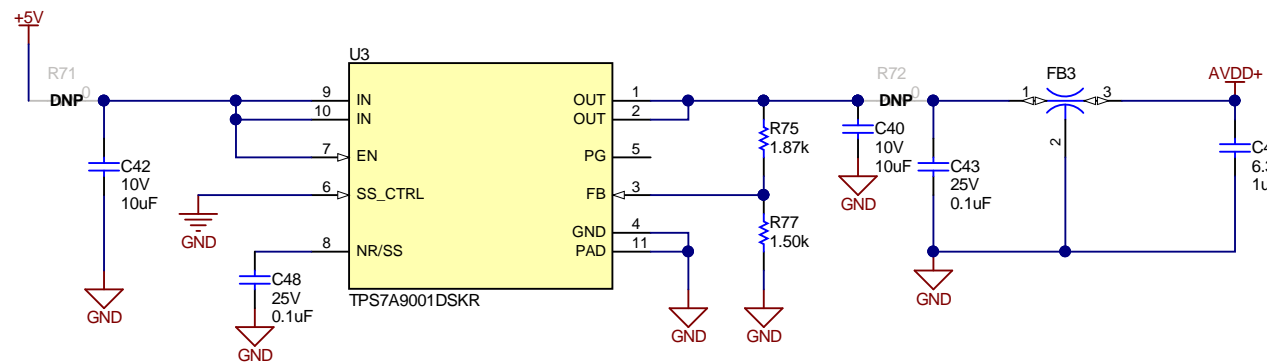
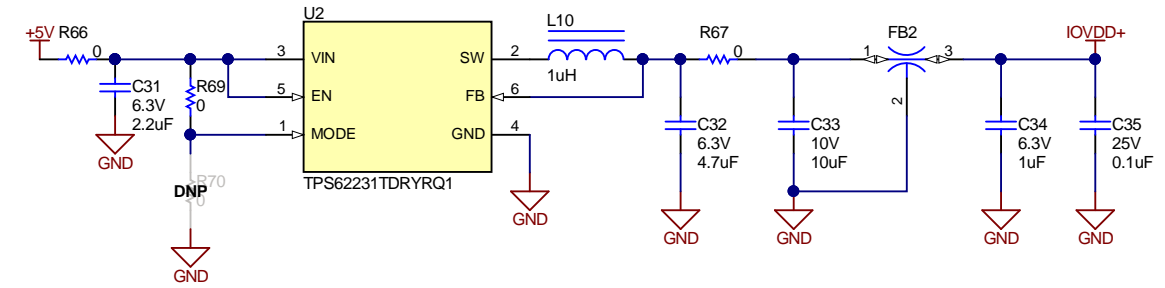
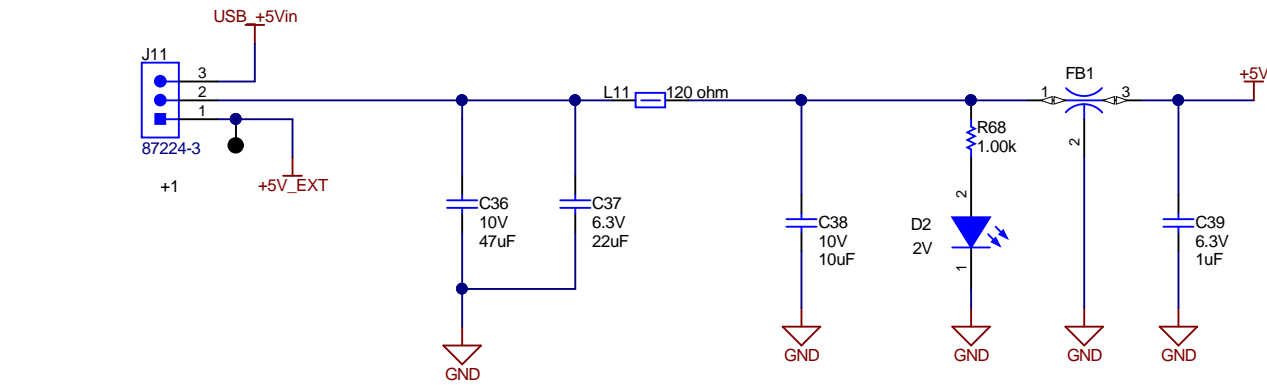
|  |  |  |
|--|--|--|
| Orderable: <a href="#">ADC3643EVM</a>  | Designed for: <a href="#">Public Release</a>       | Mod. Date: 9/16/2020                           |
| TID #: N/A                             | Project Title: <a href="#">ADC3660EVM</a>          |  |
| Number: <a href="#">DC104</a>          | Rev:   | Sheet Title:                                   |
| SVN Rev: Not in version control        | Assembly Variant: <a href="#">001</a>              | Sheet: <a href="#">8</a> of <a href="#">10</a> |
| Drawn By: <a href="#">Daniel Brock</a> | File: <a href="#">DC104A_Reference.SchDoc</a>      | Size: B  |
| Engineer: <a href="#">Daniel Brock</a> | Contact: <a href="#">http://www.ti.com/support</a> |  |

Texas Instruments and/or its licensors do not warrant the accuracy or completeness of this specification or any information contained therein. Texas Instruments and/or its licensors do not warrant that this design will meet the specifications, will be suitable for your application or fit for any particular purpose, or will operate in an implementation. Texas Instruments and/or its licensors do not warrant that the design is production worthy. You should completely validate and test your design implementation to confirm the system functionality for your application.



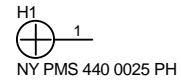


# Power Supply



Texas Instruments and/or its licensors do not warrant the accuracy or completeness of this specification or any information contained therein. Texas Instruments and/or its licensors do not warrant that this design will meet the specifications, will be suitable for your application or fit for any particular purpose, or will operate in an implementation. Texas Instruments and/or its licensors do not warrant that the design is production worthy. You should completely validate and test your design implementation to confirm the system functionality for your application.

|                                 |  |                                  |
|---------------------------------|--|----------------------------------|
| Orderable: ADC3643EVM           | Designed for: Public Release   | Mod. Date: 9/18/2020             |
| TID #: N/A                      | Project Title: ADC3660EVM  |                                  |
| Number: DC104                   | Rev:   | Sheet Title: Power-Supply_Buffer |
| SVN Rev: Not in version control | Assembly Variant: 001  | Sheet: 9 of 10                   |
| Drawn By: Daniel Brock          | File: DC104A_Power.SchDoc  | Size: B                          |
| Engineer: Daniel Brock          | Contact: <a href="http://www.ti.com/support">http://www.ti.com/support</a> |                                  |



NY PMS 440 0025 PH



NY PMS 440 0025 PH



1902E



1902E



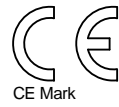
382811-6



### Jumper 2-3

PCB Number: DC104  
PCB Rev: E

PCB LOGO  
Texas Instruments



PCB LOGO  
FCC disclaimer

PCB LOGO  
WEEE logo

PCB Number: DC104  
PCB Rev: E

LBL1

PCB Label

THT-14-423-10  
Size: 0.65" x 0.20 "

| Variant/Label Table |            |
|---------------------|------------|
| Variant             | Label Text |
| 001                 | ADC3660EVM |
| 002                 | ADC3643EVM |
| 003                 | ADC3642EVM |
| 004                 | ADC3644EVM |
|                     |            |
|                     |            |
|                     |            |

ZZ1

Label Assembly Note

This Assembly Note is for PCB labels only

ZZ2

Assembly Note

These assemblies are ESD sensitive, ESD precautions shall be observed.

ZZ3

Assembly Note

These assemblies must be clean and free from flux and all contaminants. Use of no clean flux is not acceptable.

ZZ4

Assembly Note

These assemblies must comply with workmanship standards IPC-A-610 Class 2, unless otherwise specified.

|   |  |                                 |
|---|--|---------------------------------|
| Orderable: <a href="#">ADC3643EVM</a>           | Designed for: <a href="#">Public Release</a>       | Mod. Date: 7/21/2020            |
| TID #: <a href="#">N/A</a>                      | Project Title: <a href="#">ADC3660EVM</a>          |                                 |
| Number: <a href="#">DC104</a>                   | Rev:   | Sheet Title:                    |
| SVN Rev: <a href="#">Not in version control</a> | Assembly Variant: <a href="#">001</a>              | Sheet: <a href="#">10 of 10</a> |
| Drawn By:                                       | File: <a href="#">DC104A_Hardware.SchDoc</a>       | Size: <a href="#">B</a>         |
| Engineer: <a href="#">Daniel Brock</a>          | Contact: <a href="#">http://www.ti.com/support</a> |                                 |

Texas Instruments and/or its licensors do not warrant the accuracy or completeness of this specification or any information contained therein. Texas Instruments and/or its licensors do not warrant that this design will meet the specifications, will be suitable for your application or fit for any particular purpose, or will operate in an implementation. Texas Instruments and/or its licensors do not warrant that the design is production worthy. You should completely validate and test your design implementation to confirm the system functionality for your application.