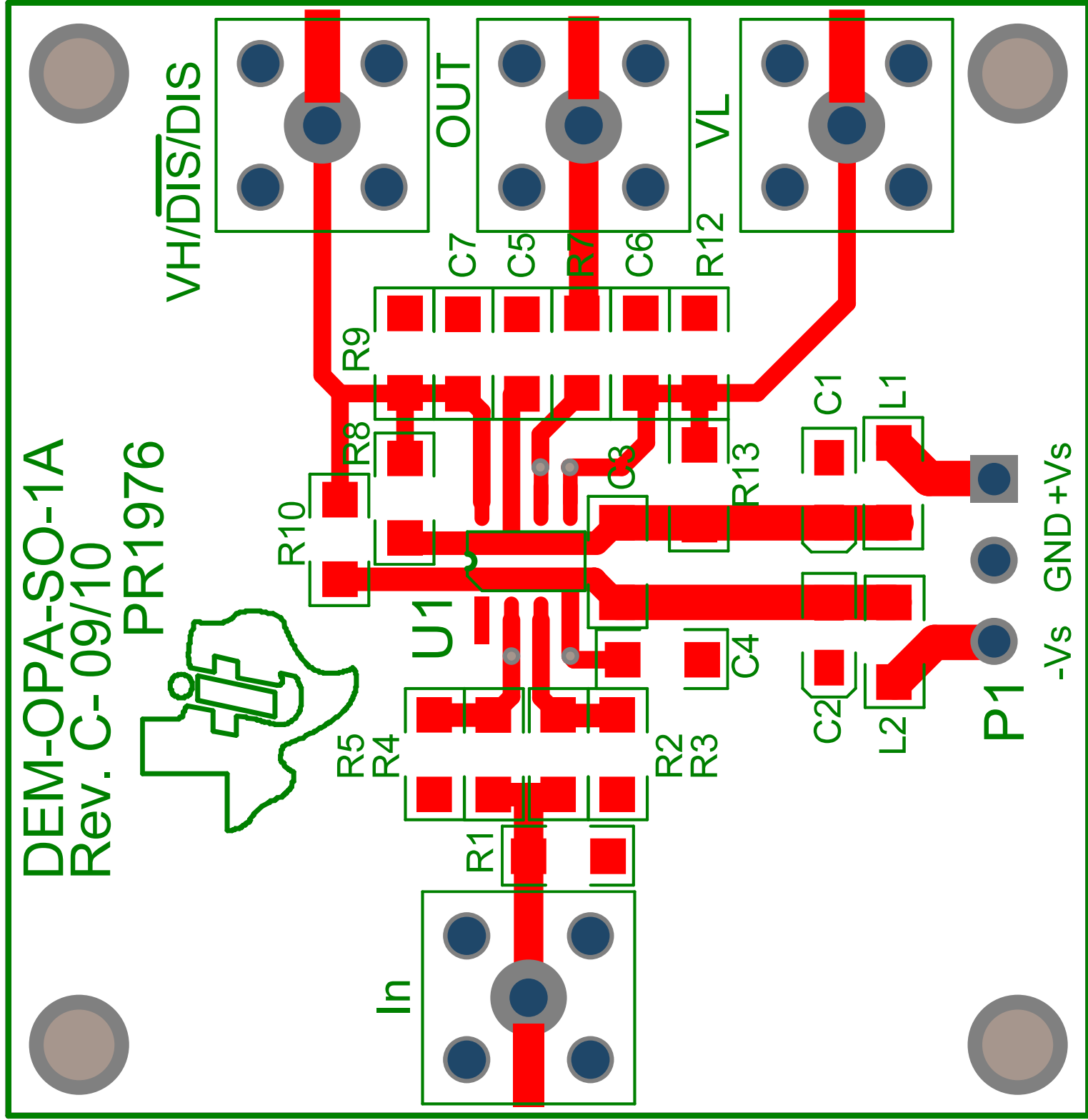
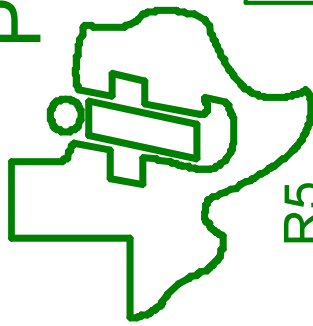


1888 (mil)

1833 (mil)

DEM-OPA-SO-1A
Rev. C-09/10

PR1976



In

U1

OUT

VH/DIS

VL

P1

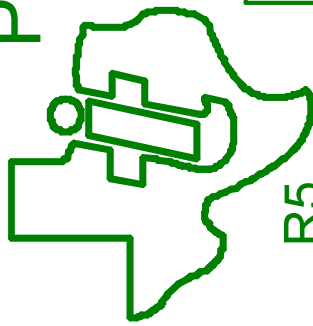
-Vs GND +Vs

1833 (mil)

1888 (mil)

DEM-OPA-SO-1A
Rev. C-09/10

PR1976



R10

R5

R4

R1

R2

R3

R8

R9

R13

R12

C7

C5

C3

C1

C2

L1

L2

R7

C6

P1

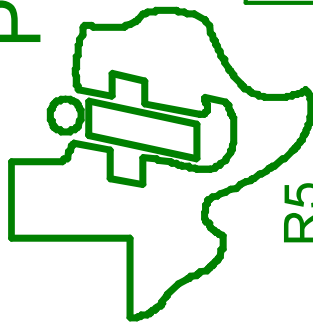
-Vs GND +Vs

1833 (mil)

1888 (mil)

DEM-OPA-SO-1A
Rev. C-09/10

PR1976



R10

R5

R4

R1

R2

R3

R8

R9

R13

R12

C7

C5

C3

C1

C2

L1

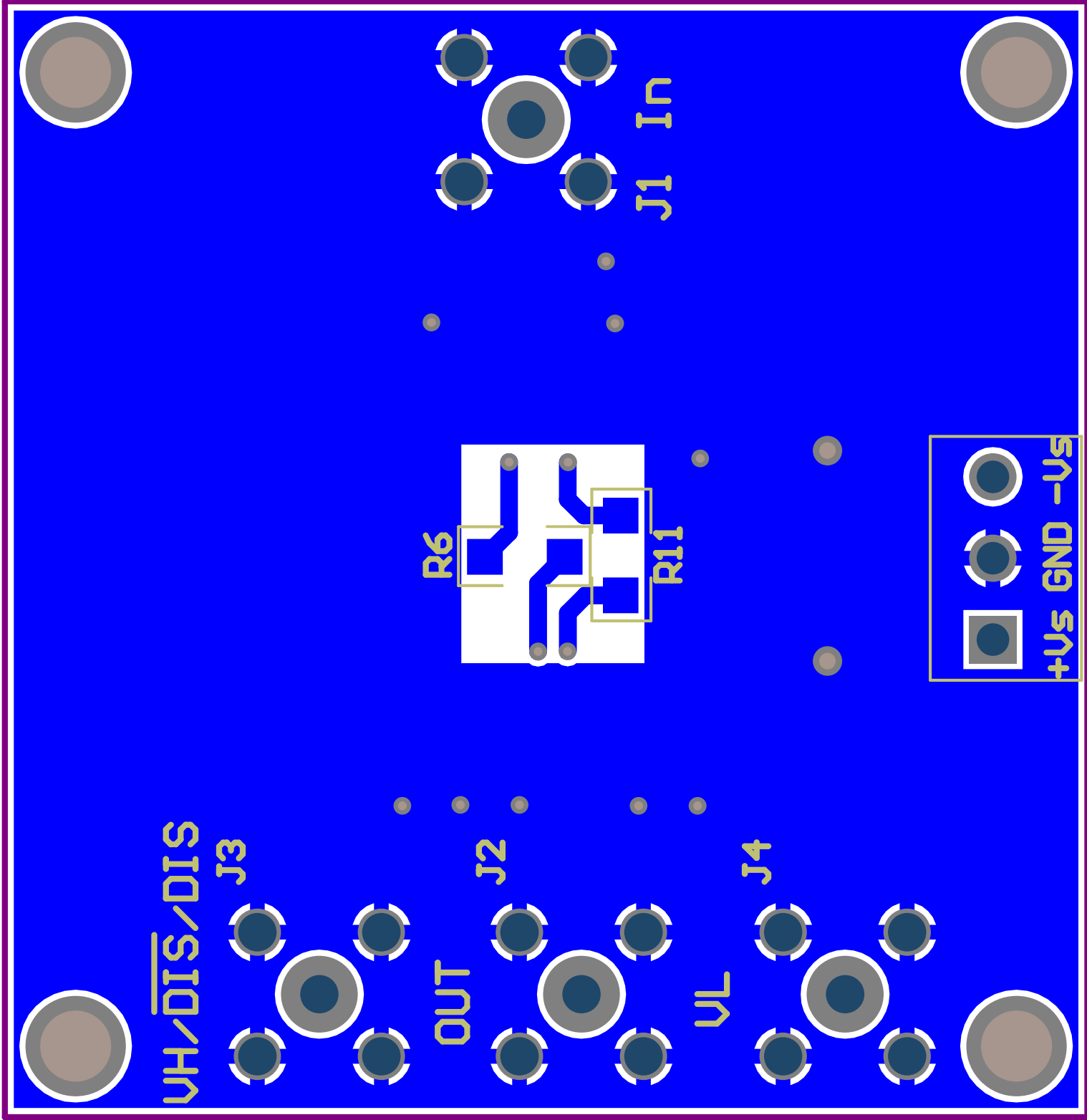
L2

R7

C6

P1

-Vs GND +Vs



	+Vs
	GND
	-Vs

Comment	Description	Designator	Footprint	LibRef	Quantity
2.2uF		C1, C2	3216	CAP + (SM)	2
0.1uF		C3, C4, C5, C6, C7	1206 -S	CAP (SM)	5
In		J1	SMA - COM	BNC	1
Out		J2	SMA - COM	BNC	1
Vh_/DIS_SHDN		J3	SMA - COM	BNC	1
VL		J4	SMA - COM	BNC	1
LI1206B900R		L1, L2	1206 -S	INDUCTOR	2
	3 CONTACT TERMINAL BLOCK	P1	Term Block 3 pins 3.5mm	TERMINAL BLOCK 3	1
49.9W		R1	1206 -S	RES (SM)	1
2KW		R2, R4	1206 -S	RES (SM)	2
20W		R3, R5, R8, R9, R10, R11, R12, R13	1206 -S	RES (SM)	8
324W		R6	1206 -S	RES (SM)	1
17.4W		R7	1206 -S	RES (SM)	1
OPA690	Precision High-Speed Difet(R) Operational Amplifiers	U1	SO-8	OPA690	1