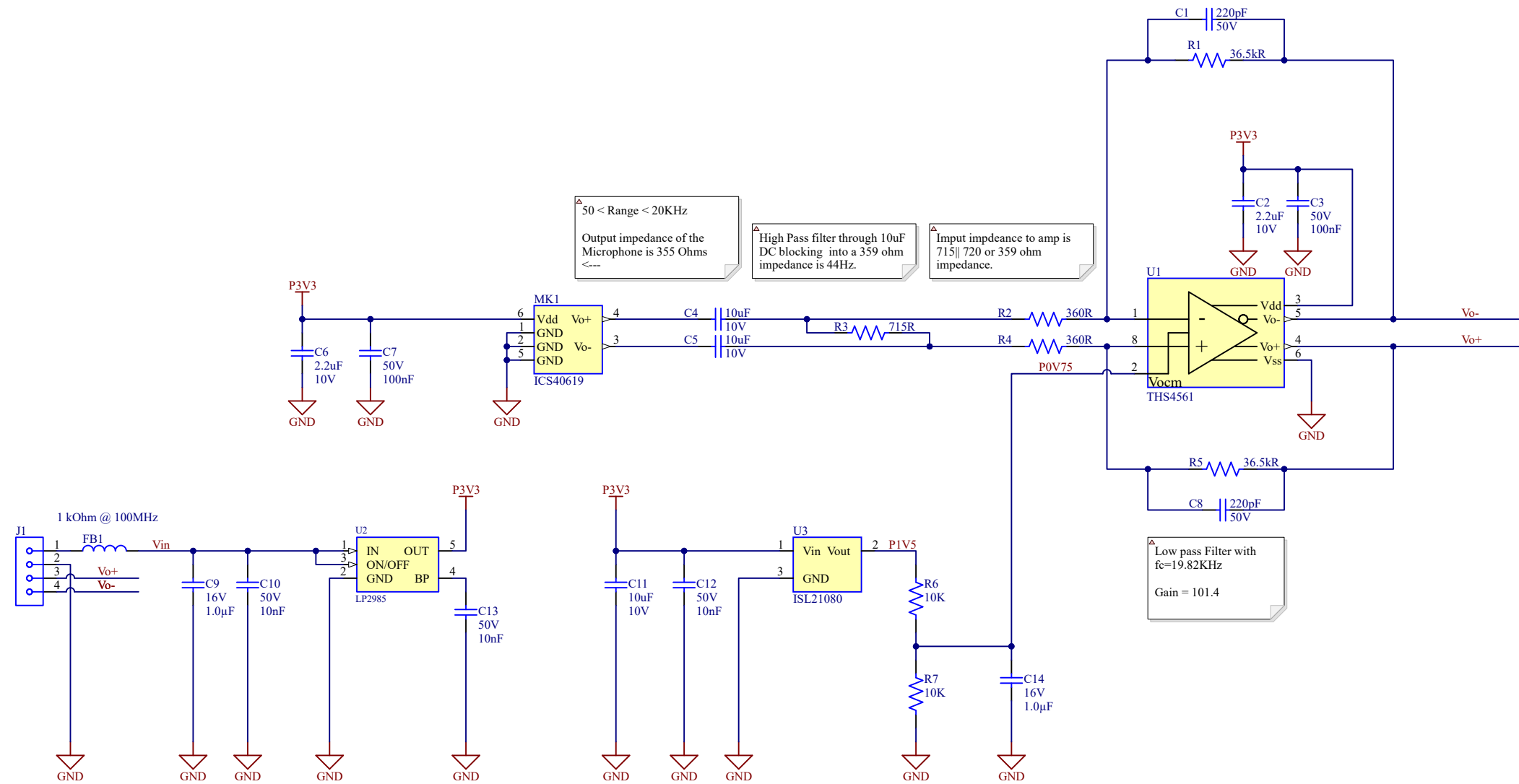


Microphone Board




△ 50 < Range < 20KHz
Output impedance of the Microphone is 355 Ohms <---

△ High Pass filter through 10uF DC blocking into a 359 ohm impedance is 44Hz.

△ Input impedance to amp is 715|| 720 or 359 ohm impedance.

△ DAC Sample rate of 250KHz

△ Low pass Filter with $f_c=19.82\text{KHz}$
Gain = 101.4

 <p>CES Celtic Engineering Solutions, LLC.</p>	Project: Microphone Board		Sheet Name: Main	
	DWG #: DSN10116		Revision: A0	
	Engineer: S. O'Leary	Date: 8/25/2021	Reviewed by: (Checked by)	Date: (Chk Date)
	Celtic Engineering Solutions, LLC. PROPRIETARY. The information contained herein is proprietary and confidential. It may not be reproduced, used, or disclosed without prior written consent of Celtic Engineering Solutions, LLC.			Sheet: 1 of 1
	F:\CES Working\Drawings - ACTIVE\DSN10116-A0\DSN\Schematics\DSN10116_1.SchDoc			