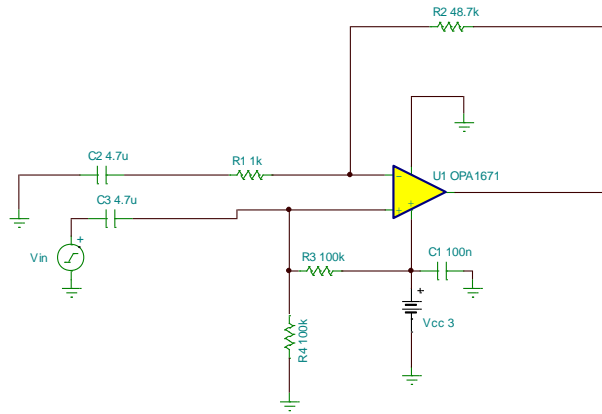
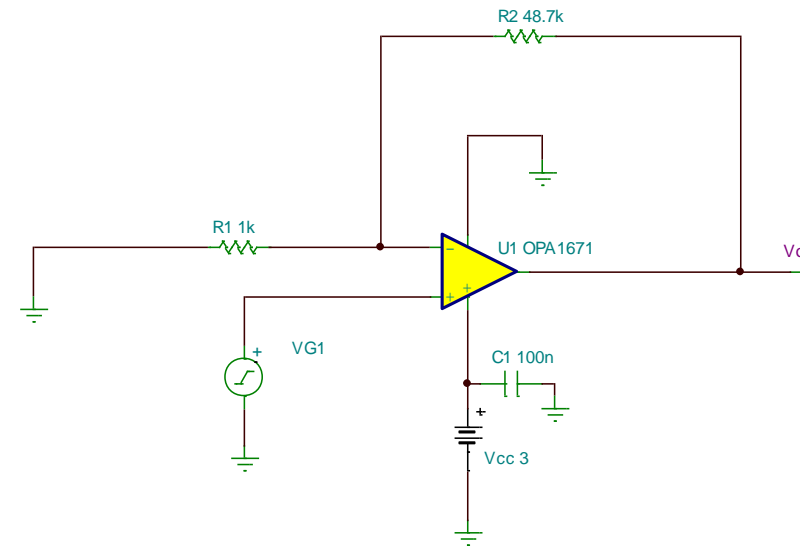


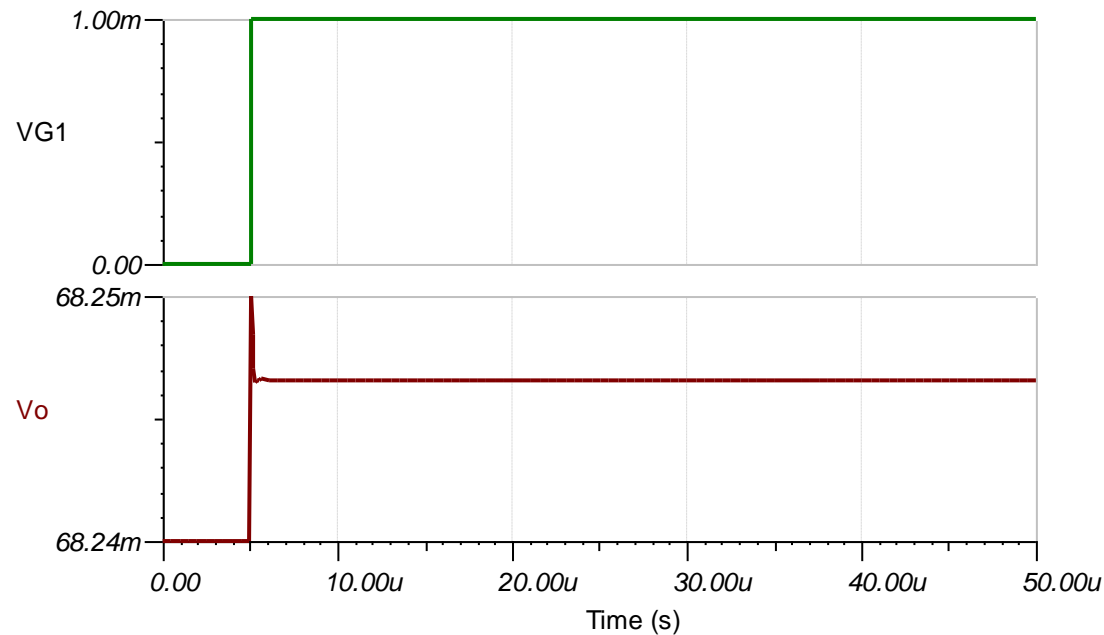
I tried to find PM of my circuit using the steps given in Precision Labs>But my Output is differently from expected.
Do I need to take any precautions when analysing stability of single supply Amps



Original Circuit



Circuit for PM Calculation



O/P Obtained. May I know here I wen wrong