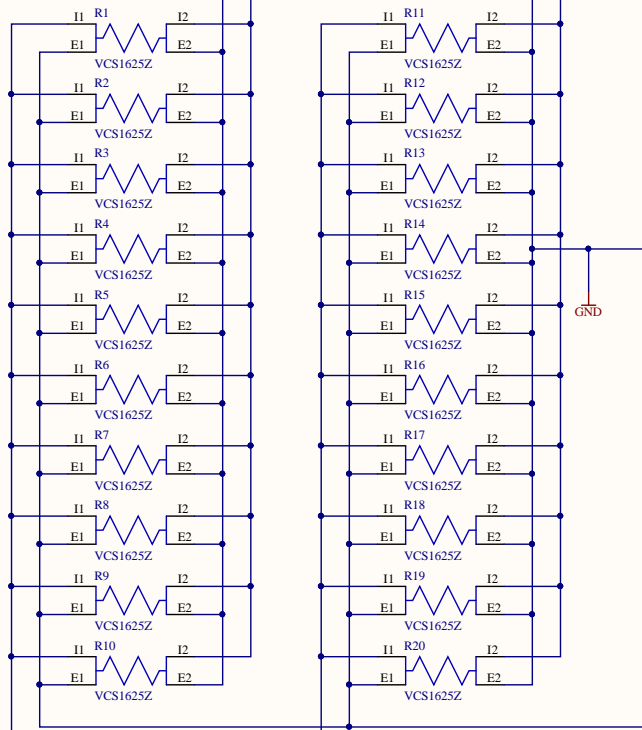
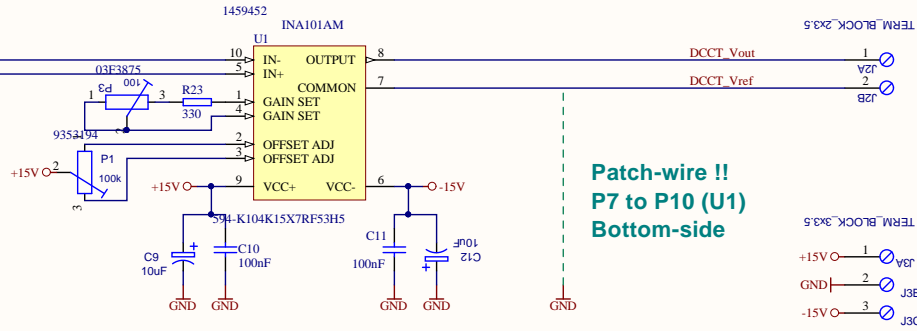
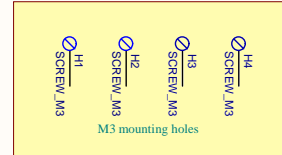


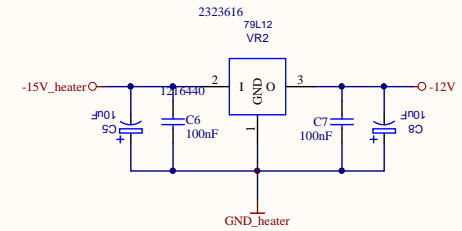
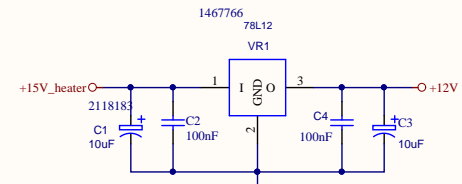
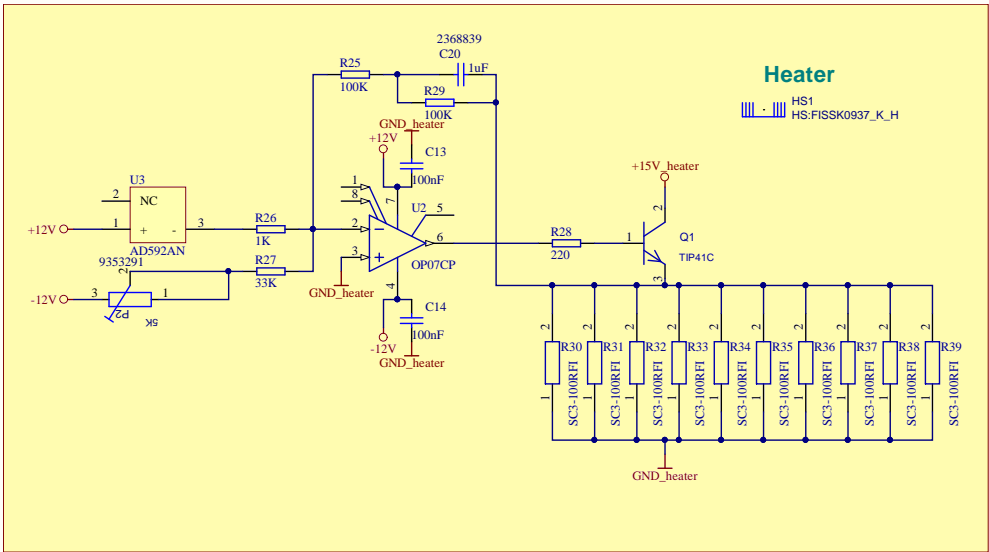
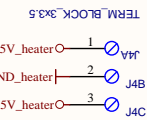
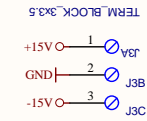
J1A DCCT I-
TERM_BLOCK_2x3.5



J1B DCCT I+
TERM_BLOCK_2x3.5



Patch-wire !!
P7 to P10 (U1)
Bottom-side



Title		
Size A3	Number	Revision
Date: 29-8-2017	Sheet of	
File: C:\Users\...Foeldi_2_Danfysik DCCT in	Doc	