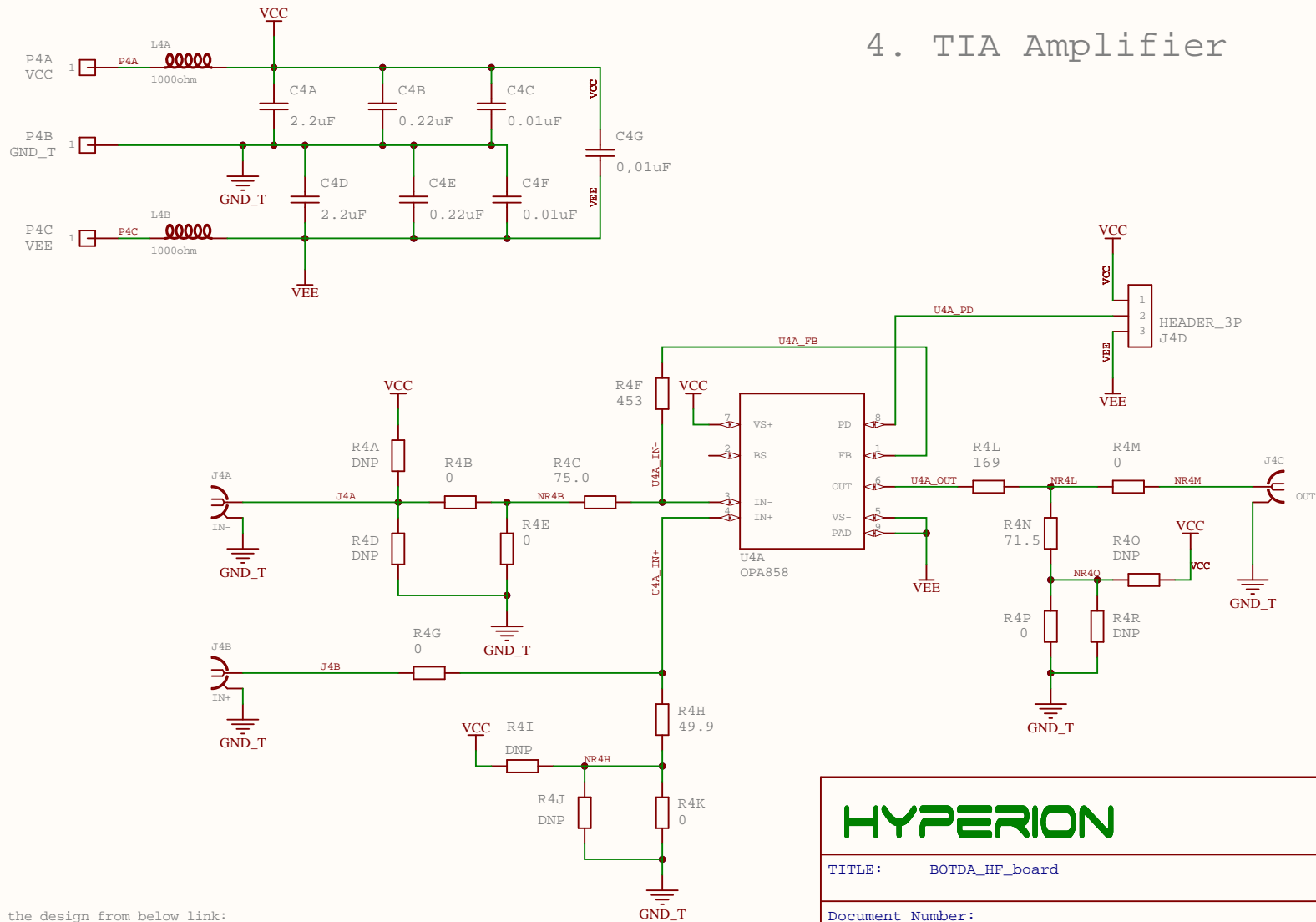


## 4. TIA Amplifier



Follow the design from below link:  
<https://www.ti.com/tool/OPA858DSGEVM#tech-docs>

# HYPERION

TITLE: BOTDA\_HF\_board

Document Number:

REV:

Date: 2021-05-07

Sheet: 5