

6

5

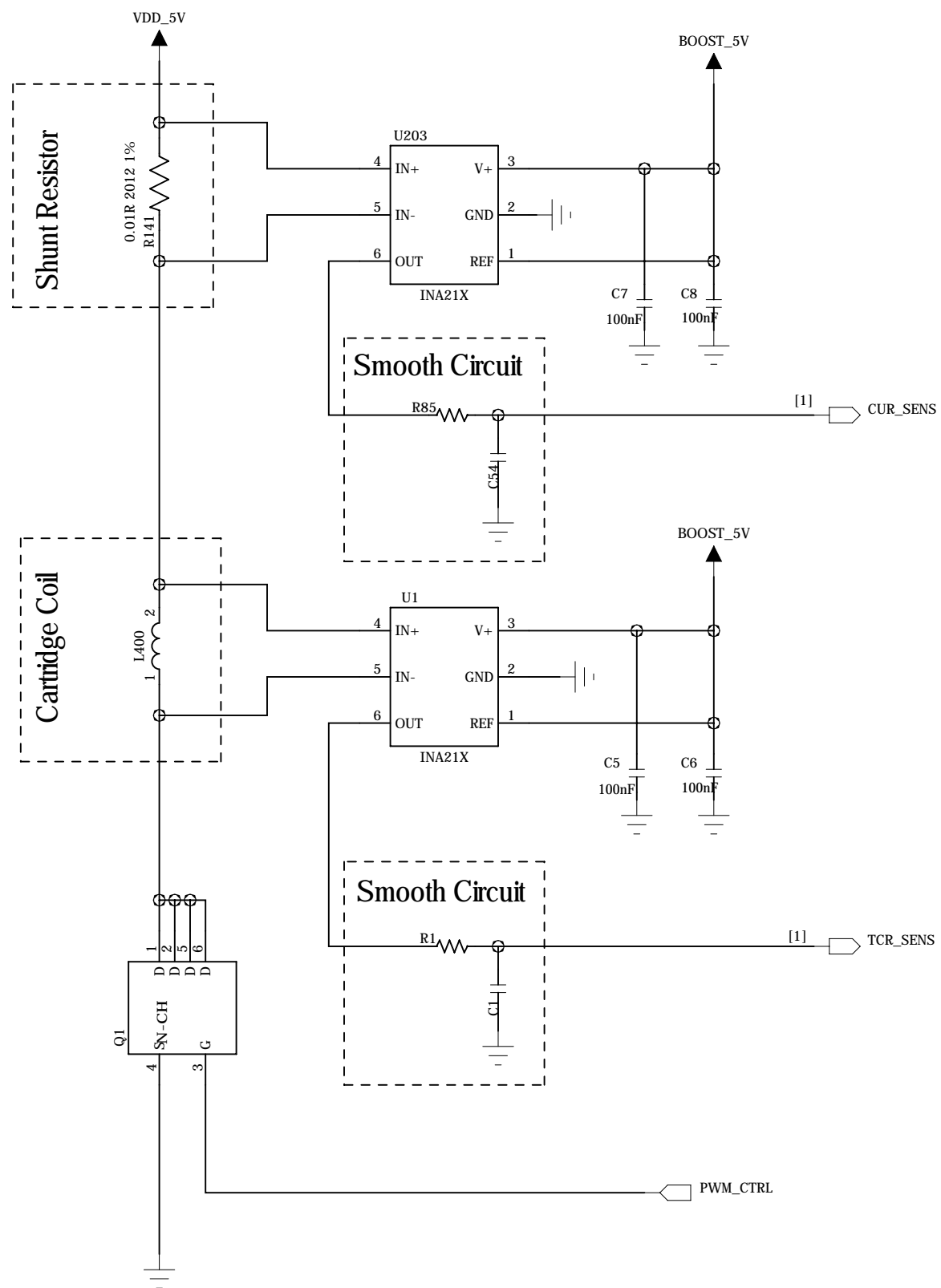
4

3

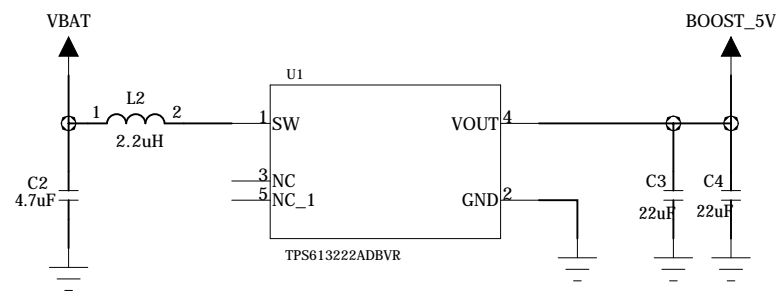
2

1

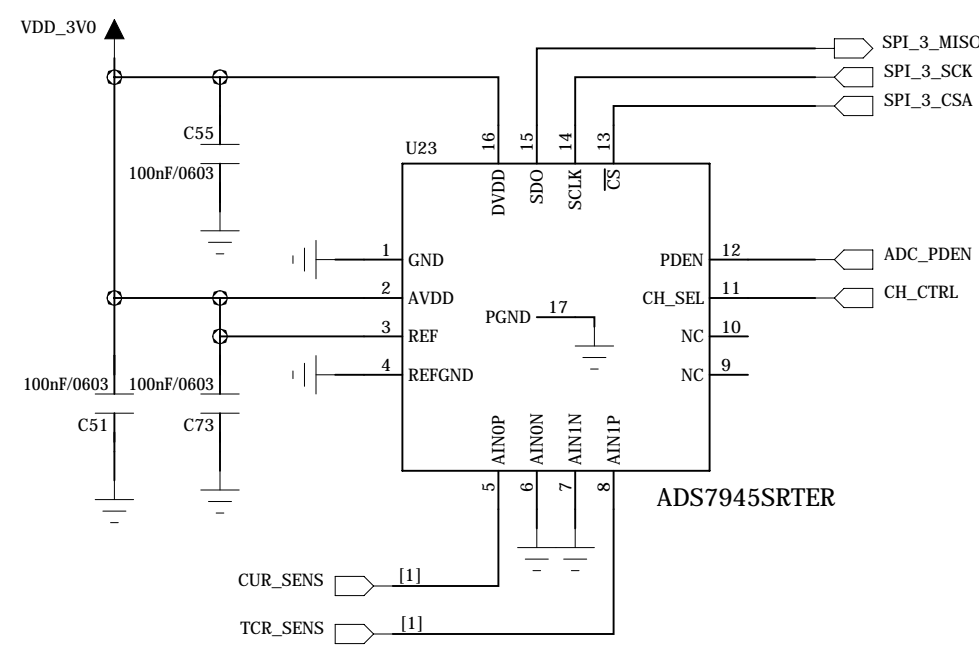
### OP-AMP



### 5V Boost Converter



### A/D Converter



COMPANY: **Partron Co., Ltd.**

TITLE: **INA21X & A/D Converter\_Case1**

DRAWN: YH.CHOI	DATED: 2021.06.01
CHECKED: <Checked By>	DATED: <Checked Date>
QUALITY CONTROL: <QC By>	DATED: <QC Date>
RELEASED: <Released By>	DATED: <Release Date>

CODE: <b>&lt;Code&gt;</b>	SIZE: <b>B</b>	DRAWING NO: <b>&lt;Drawing Number&gt;</b>	REV: <b>0.1</b>
SCALE: <Scale>			SHEET: 1 OF 1

D

C

B

A

D

C

B

A