

6

5

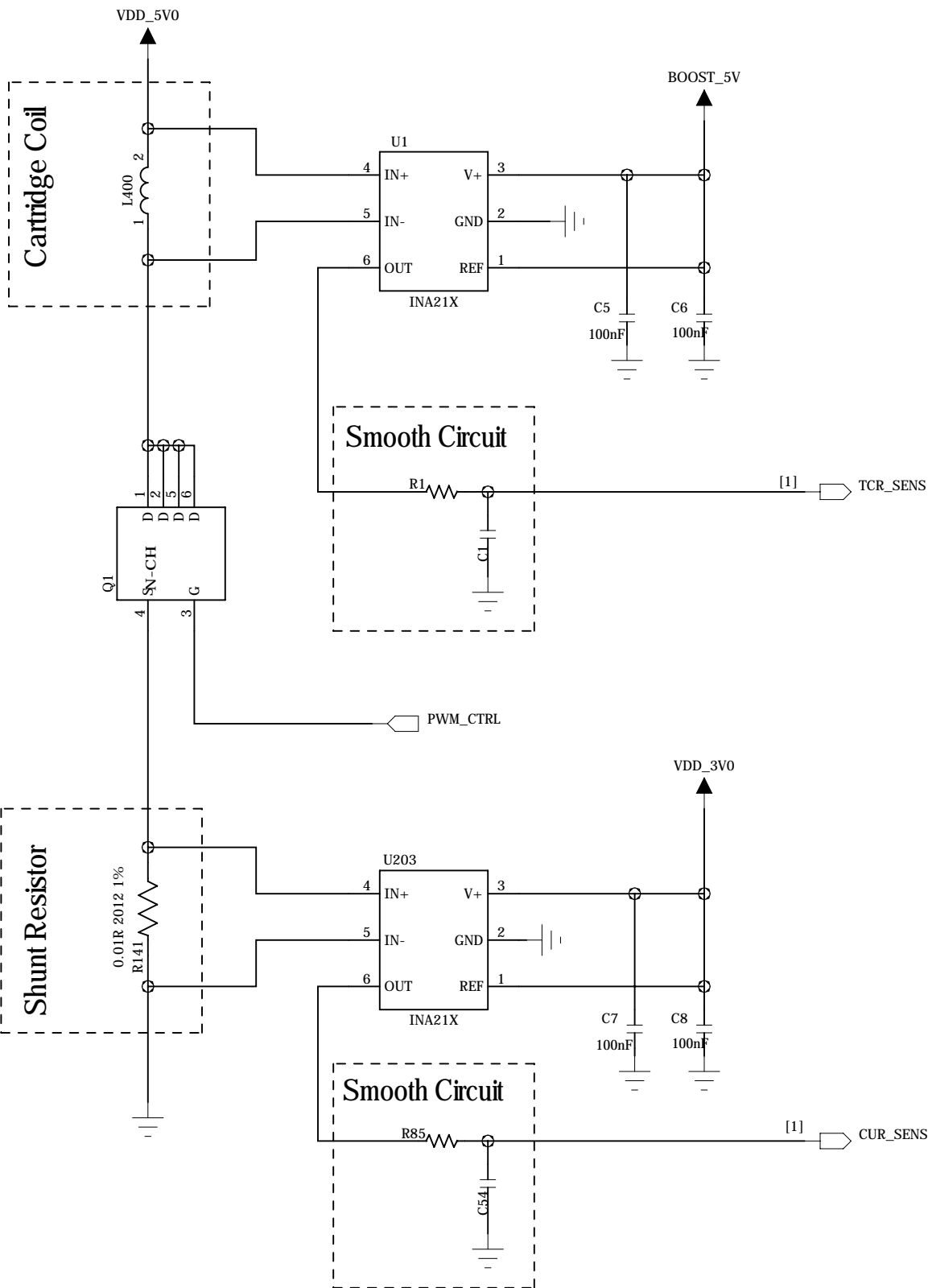
4

3

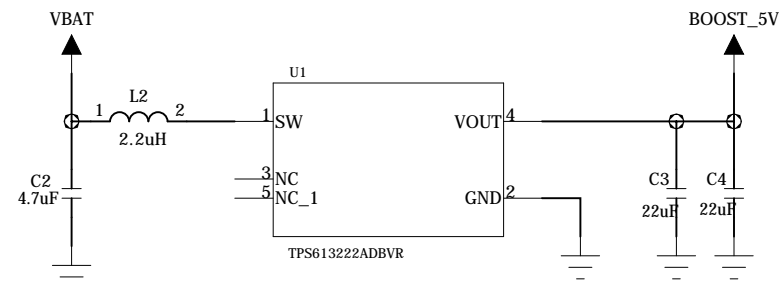
2

1

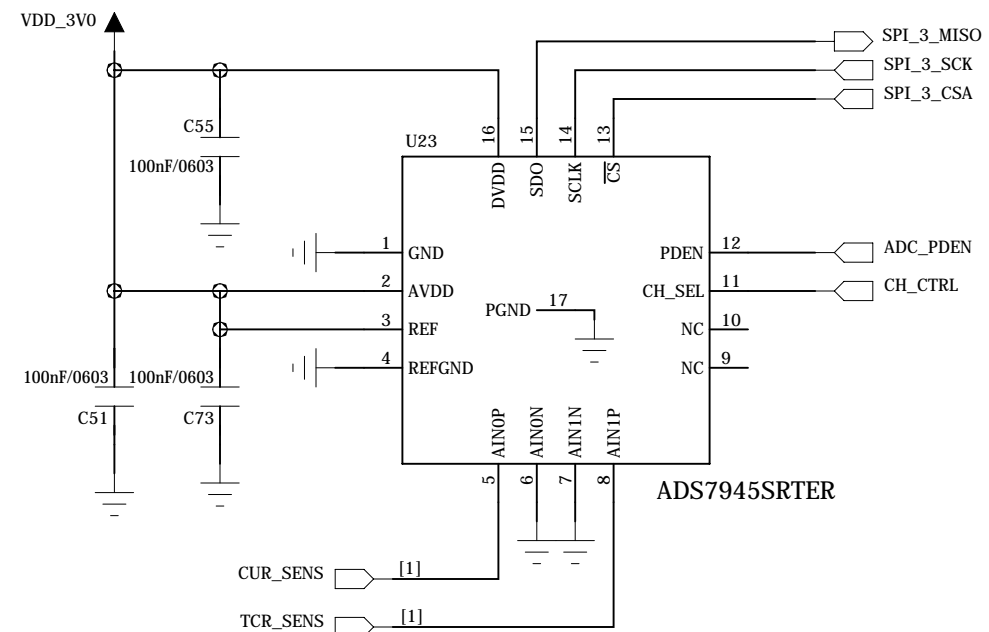
### OP-AMP



### 5V Boost Converter



### A/D Converter



COMPANY: Partron Co., Ltd.

TITLE: INA21X & A/D Converter\_Case2

DRAWN: YH.CHOI	DATED: 2021.06.01
CHECKED: <Checked By>	DATED: <Checked Date>
QUALITY CONTROL: <QC By>	DATED: <QC Date>
RELEASED: <Released By>	DATED: <Release Date>

CODE: <Code>	SIZE: B	DRAWING NO: <Drawing Number>	REV: 0.1
SCALE: <Scale>			SHEET: 1 OF 1

D

D

C

C

B

B

A

A