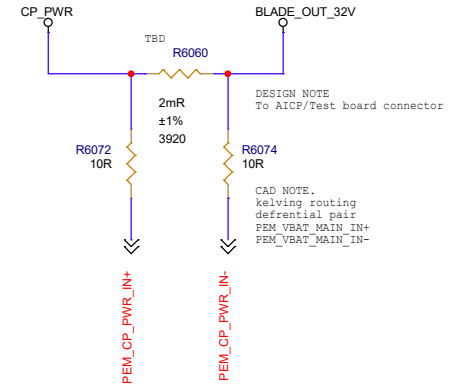
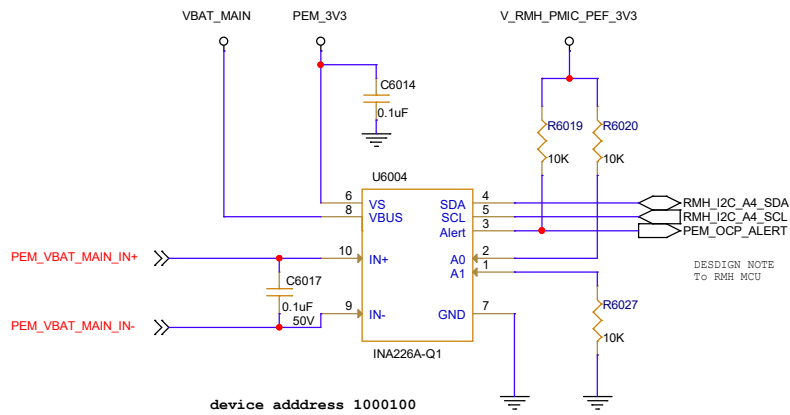


DESIGN NOTE
1. USE to monitor 12V/37A



DESIGN NOTE
1. USE to monitor 32V/10A

VBAT RAIL CURRENT SENSING



PEM to CP CURRENT SENSING

