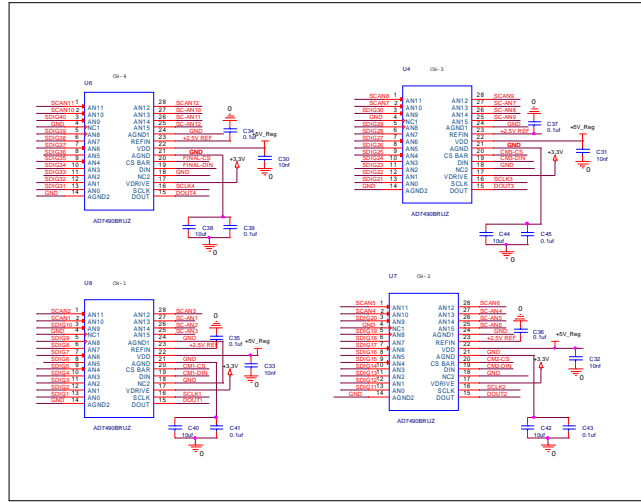
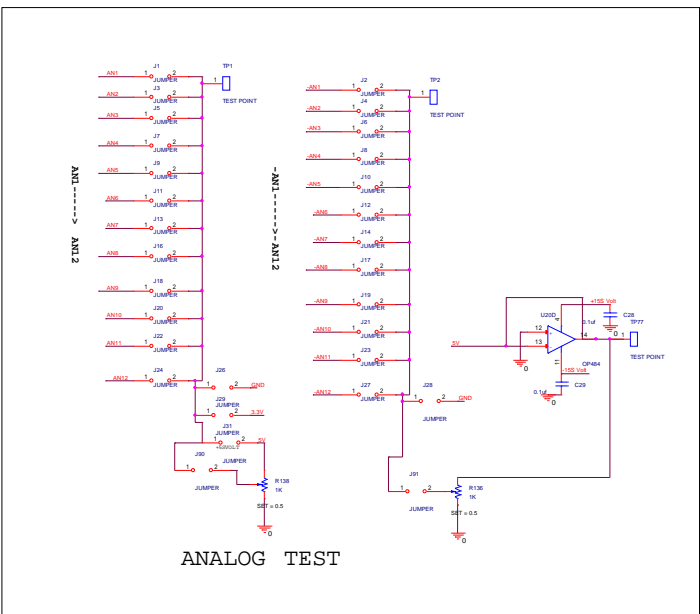
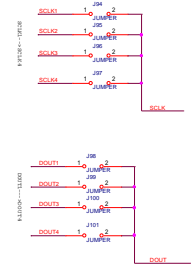


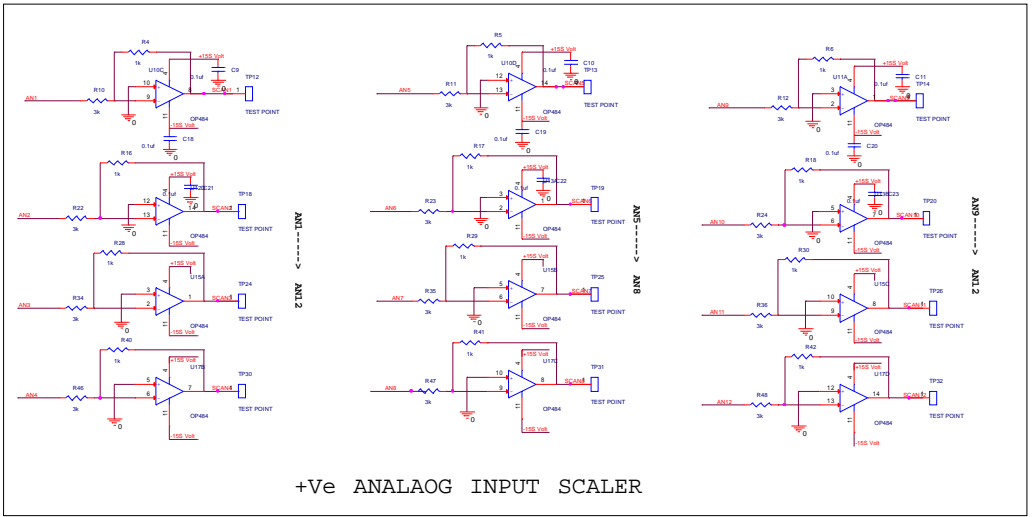
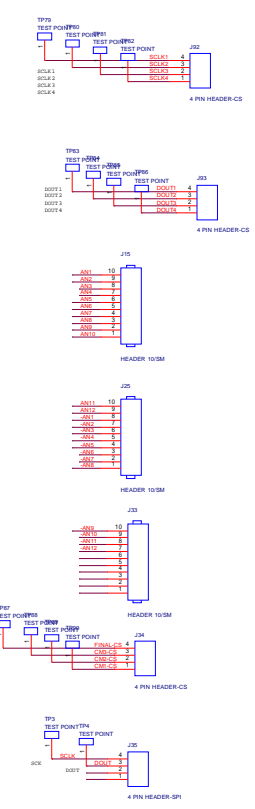
HOT SWAP CIRCUIT



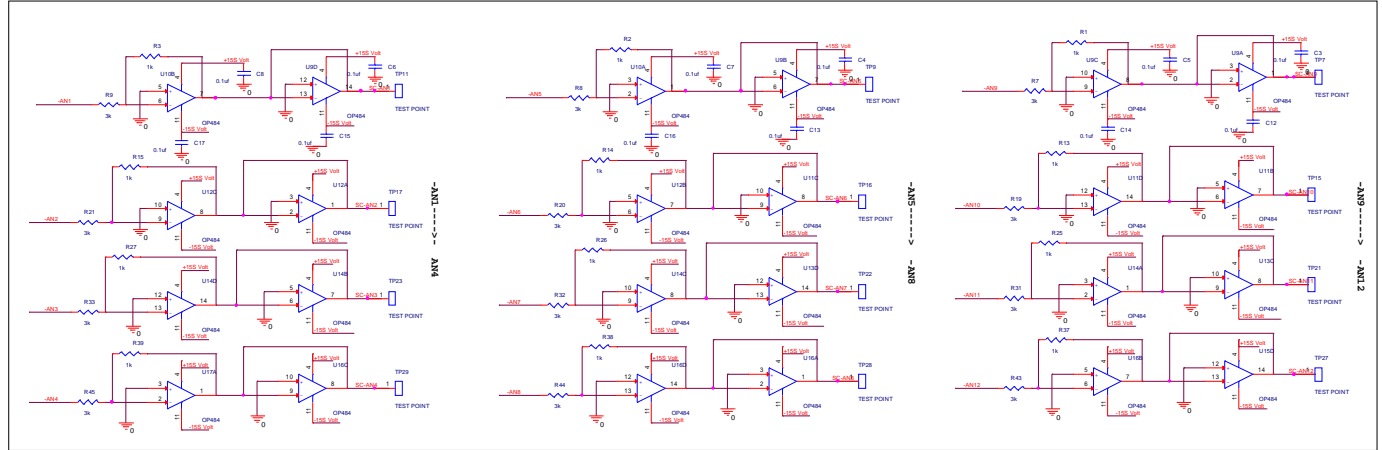
ADC



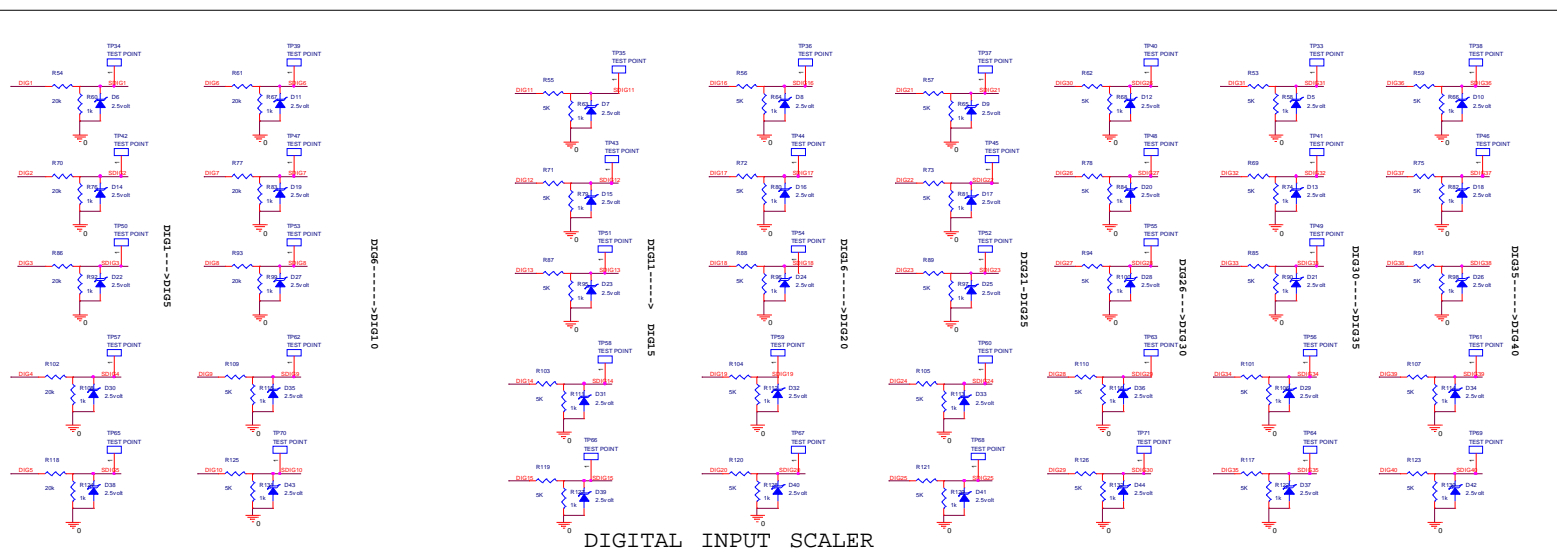
ANALOG TEST



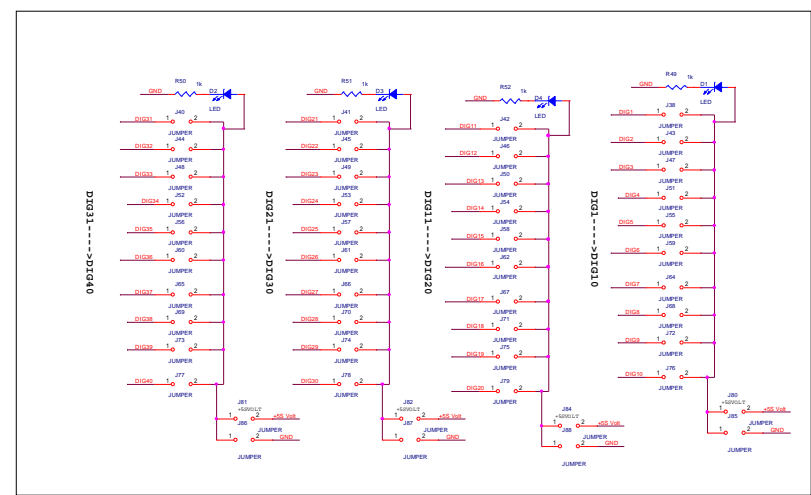
+Ve ANALOG INPUT SCALER



- Ve ANALOG INPUT SCALER



DIGITAL INPUT SCALER



DIGITAL TEST

