

D

D

C

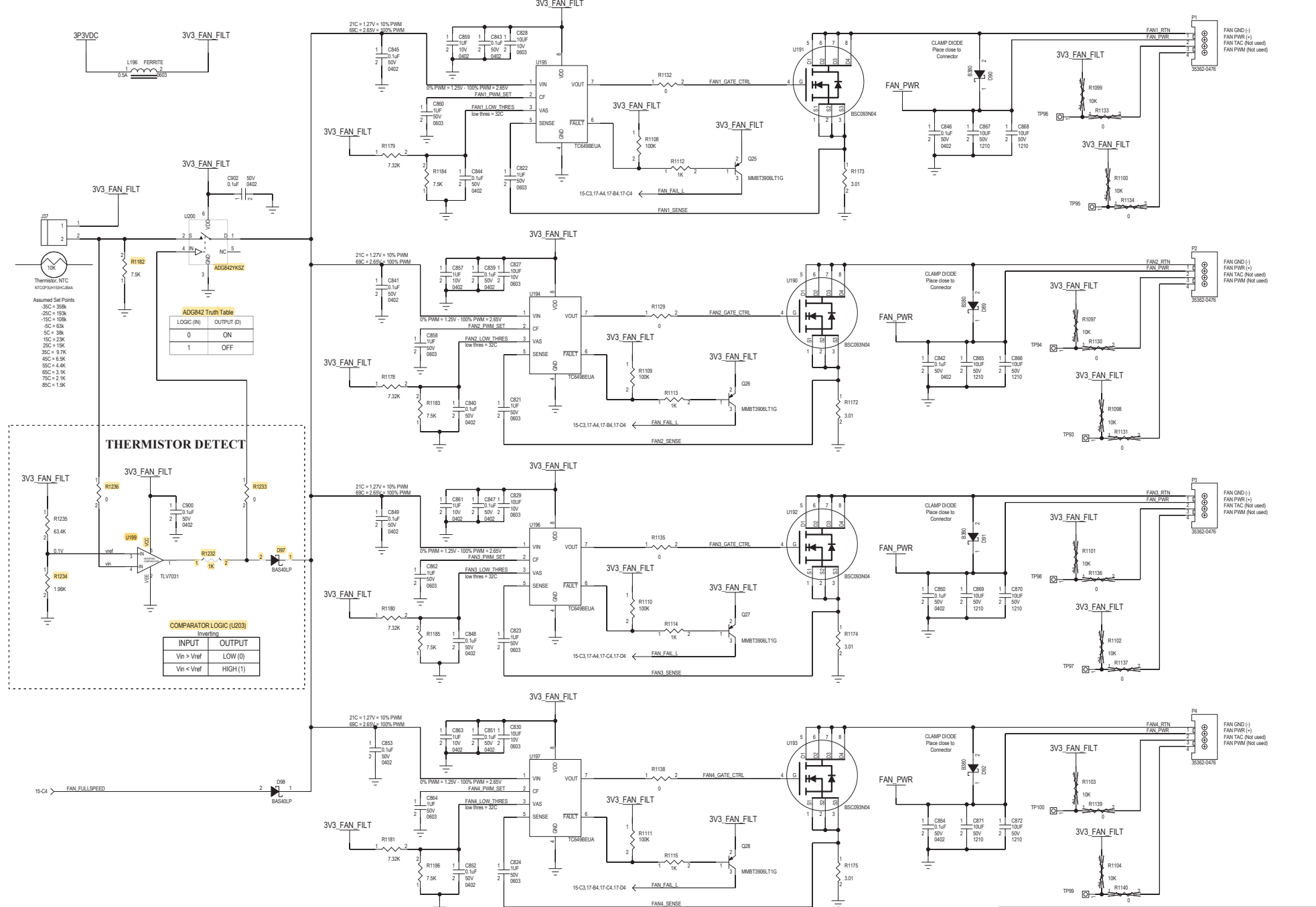
C

B

B

A

A



ADG842 Truth Table

LOGIC (IN)	OUTPUT (D)
0	ON
1	OFF

COMPARATOR LOGIC (U159)

INPUT	OUTPUT
Vin > Vref	LOW (0)
Vin < Vref	HIGH (1)

Fan Sense tuning - Target is 70mV - 50mV on Pin 5 (sense)
 Sense pin is V_{IC} - 0.5V bleeds
 To lower voltage decrease capacitor size and change sense resistor to match nominal current. lowest cap size is 0.1uF.

Minimal Fan Current	R Sense
50	9.1 Ohm
100	4.7 Ohm
150	3.0 Ohm
200	2.4 Ohm
250	2.0 Ohm
300	1.8 Ohm
350	1.5 Ohm

For values outside of this range, contact iDG engineering.