

A

B

C

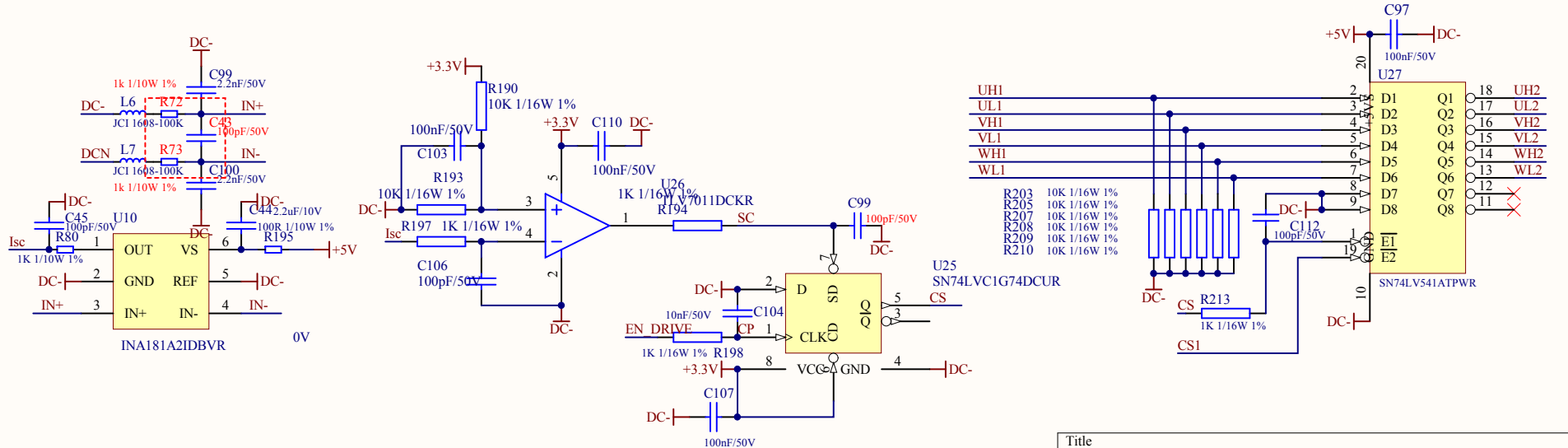
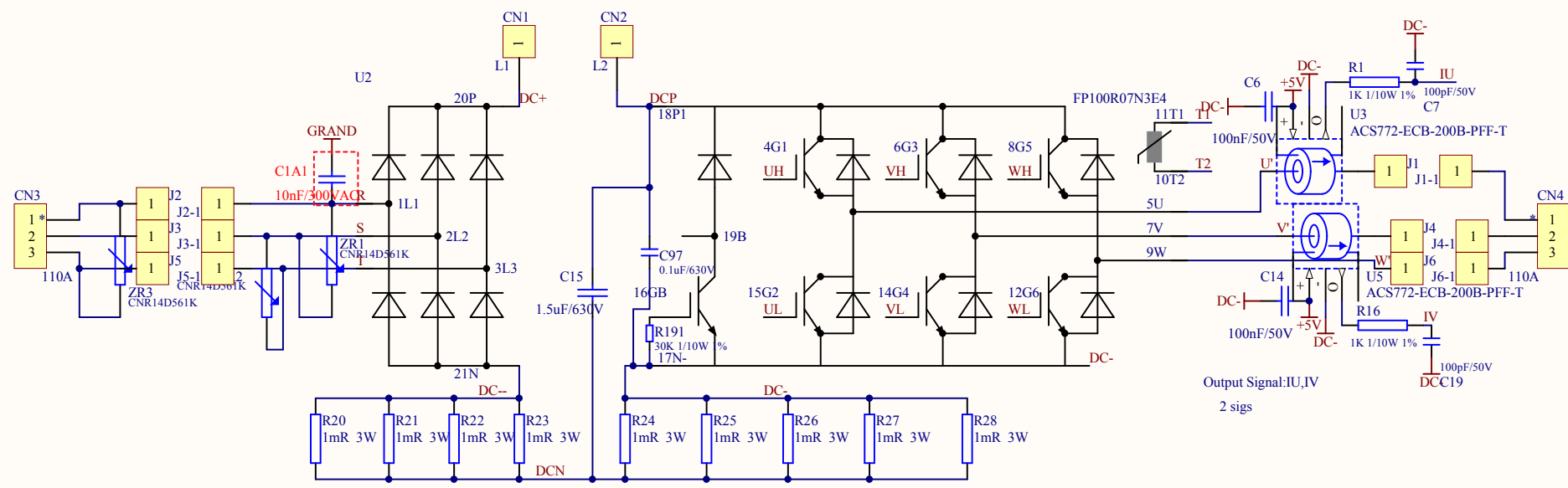
D

A

B

C

D



Title		
Size	Number	Revision
A3		
Date:	2020/4/23	Sheet of
File:	E:\-49Ixx\..Isc .SchDoc	Drawn By: