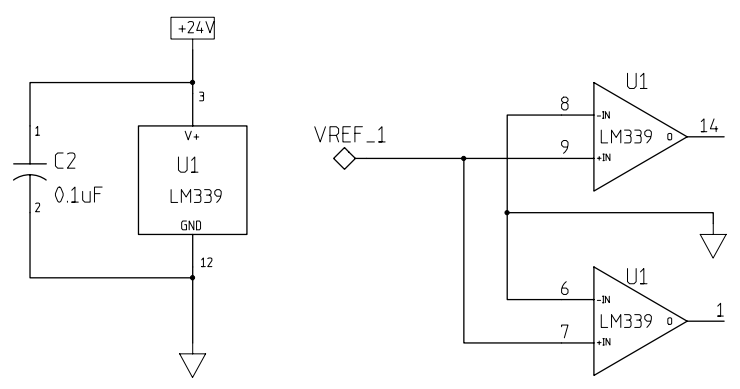
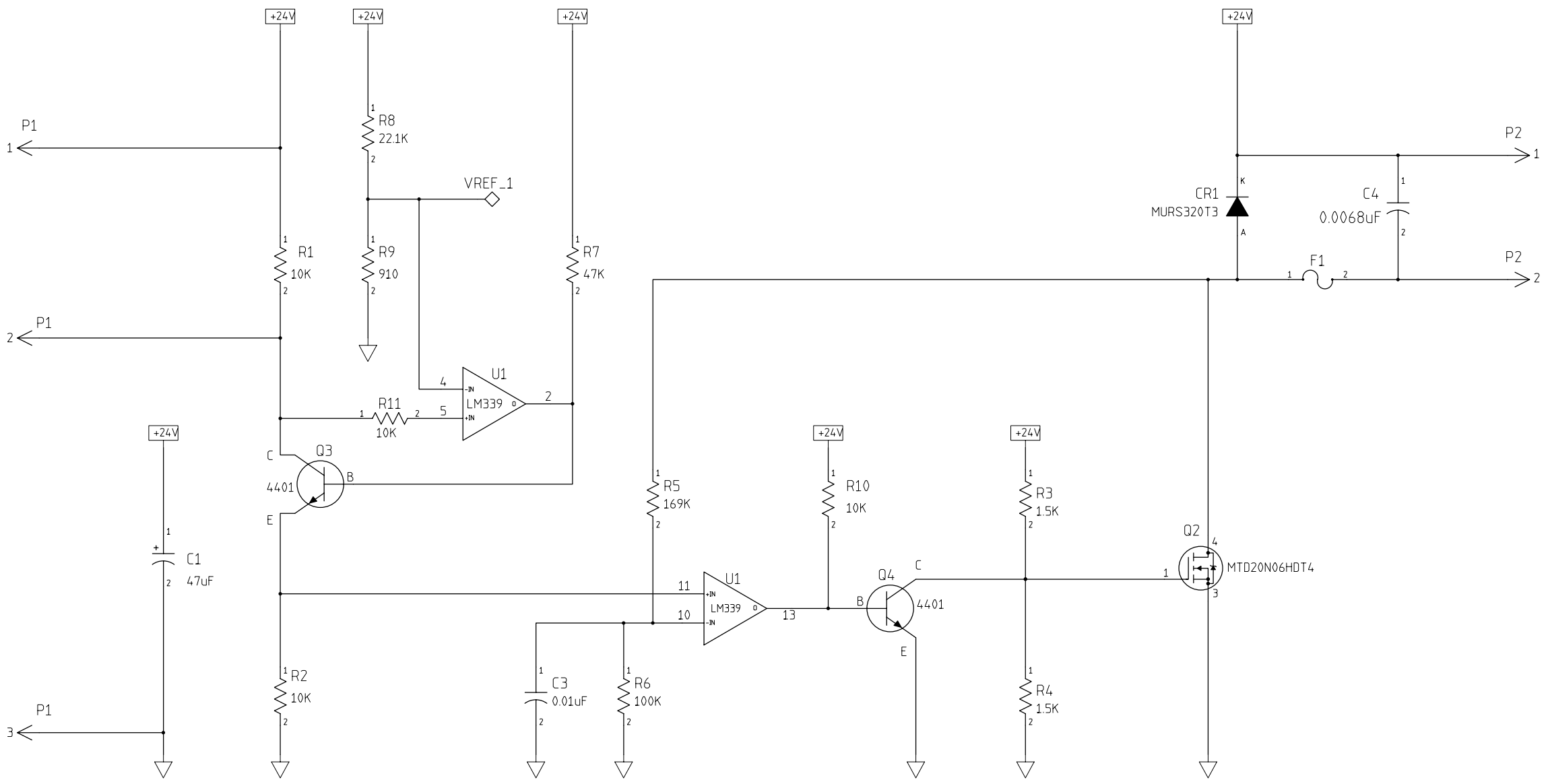


RELEASED FOR PRODUCTION AT REV				
ZONE	REV	DESCRIPTION	DATE	APVD/DWN

D
C
B
A

D
C
B
A



Heidelberg Digital L.L.C. Confidential and Proprietary Information				
Drawn	Name	Date	Material:	
Design	D. Langdon	01/23/02	THIRD ANGLE Projection	
Stand.				
Manf.	B. Braeges	01/23/02	Scale	CAD-System VBDC-2K
			Size C	
			Name	
			CKT DIAG Current Driver Module (CDM)	
Site	ROCHESTER	Document number	Document Revision	Sheet No./Count
© 2001 Heidelberg Digital L.L.C.		KC.A10732_00		1 / 1

4 3 2 1

4 3 2 1