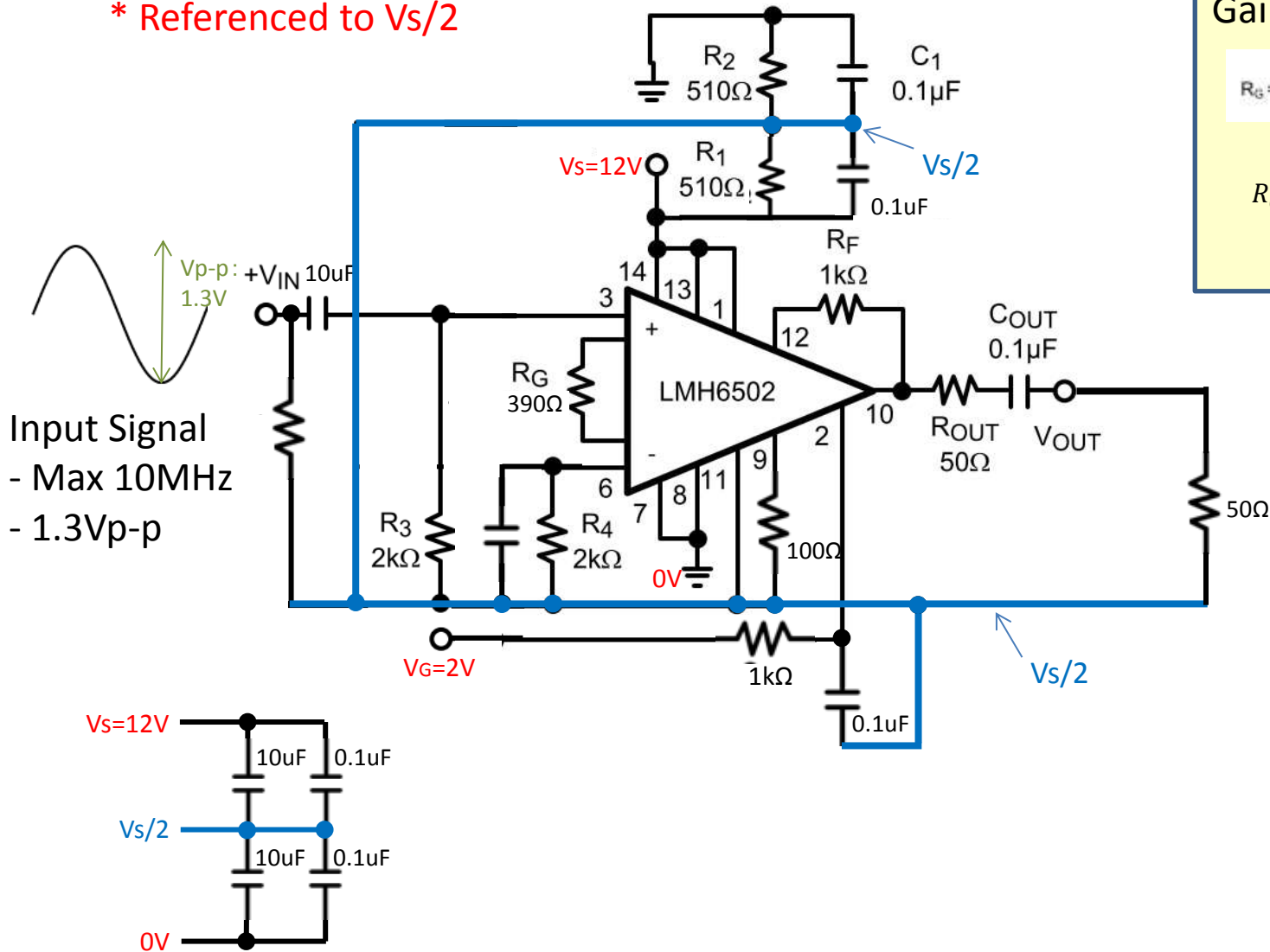


LMH6502 setup on LMH730033EVM

* Referenced to $V_s/2$



Gain $\rightarrow A_v=4.37$

$$R_G = \frac{R_F \times 1.72}{A_{VMAX}} - 3\Omega \text{ WITH } R_F = 1K\Omega$$

$$R_G = \frac{1000 \times 1.72}{4.37} - 3$$

$$= 390 \Omega$$

Operation Waveform

