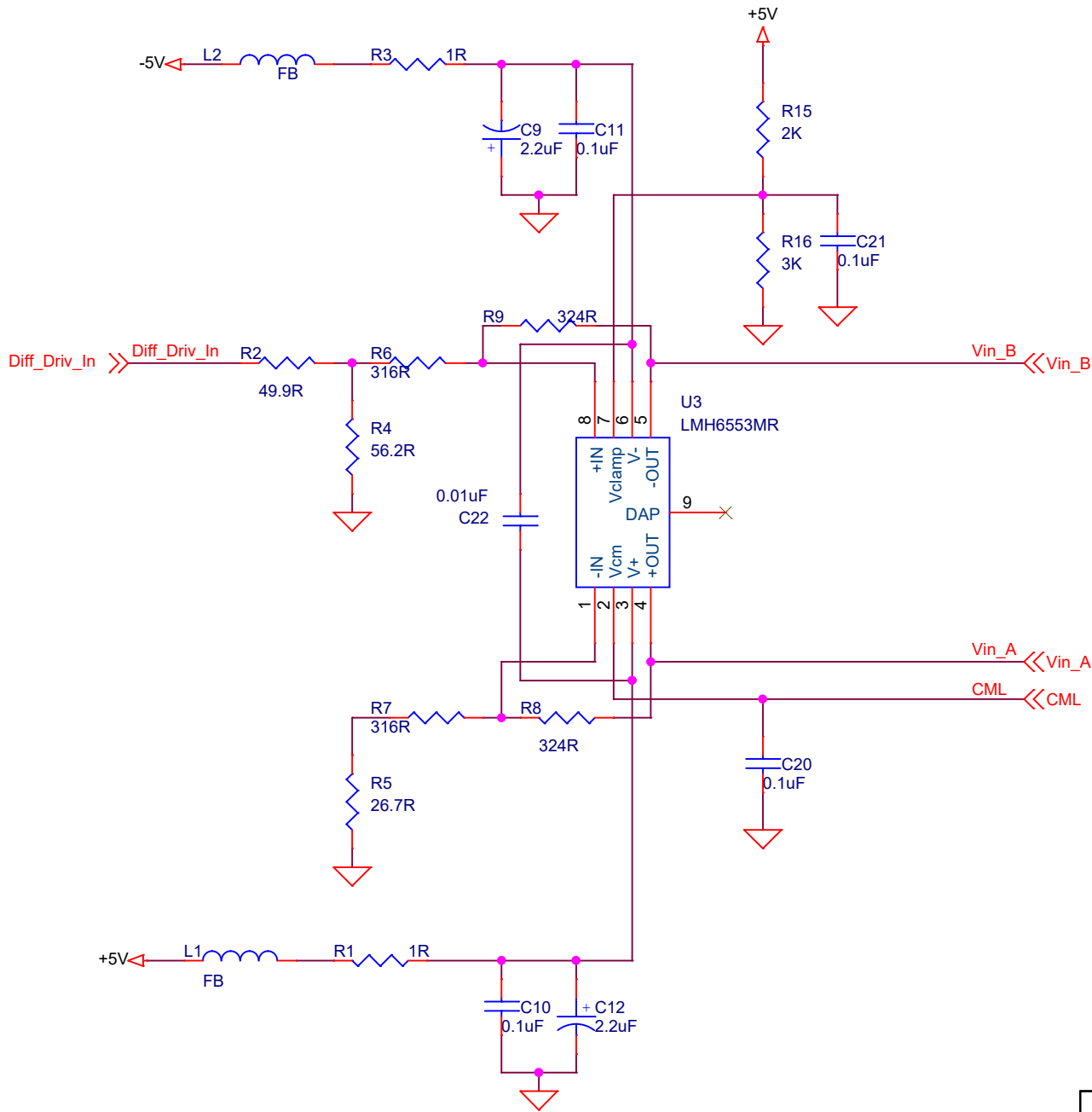
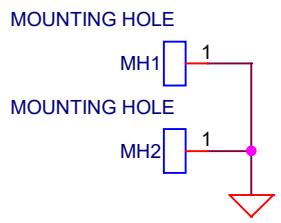
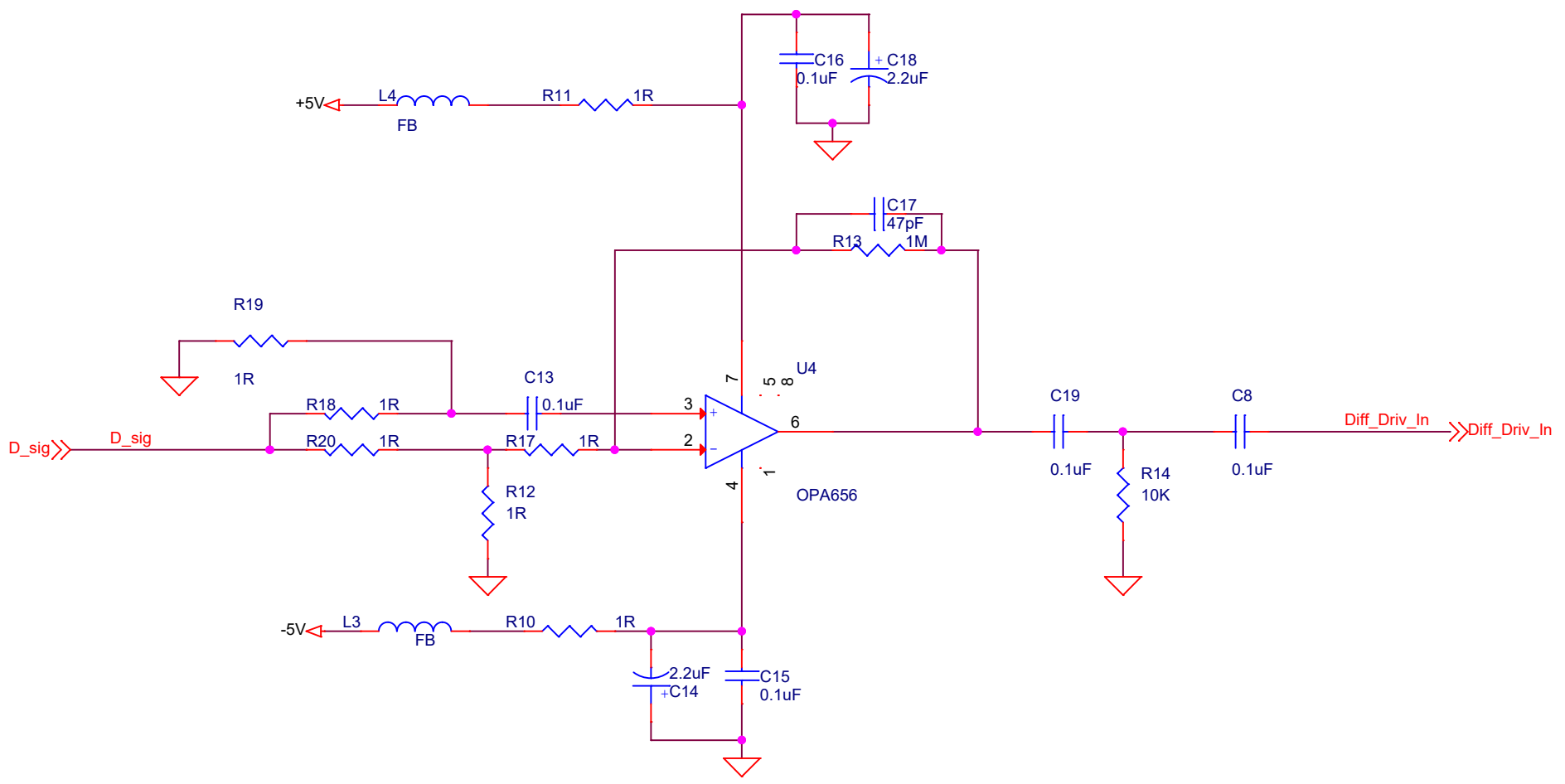


Title		
PRE AMP INVERT&NON-INVERT		
Size	Document Number	Rev
A	<Doc>	1
Date:	Saturday, November 30, 2019	Sheet 1 of 3



Title		
PRE AMP INVERT&NON-INVERT		
Size	Document Number	Rev
A	<Doc>	1
Date:	Saturday, November 30, 2019	Sheet 2 of 3



Title		
PRE AMP INVERT&NON-INVERT		
Size A	Document Number <Doc>	Rev 1
Date:	Saturday, November 30, 2019	Sheet 3 of 3