

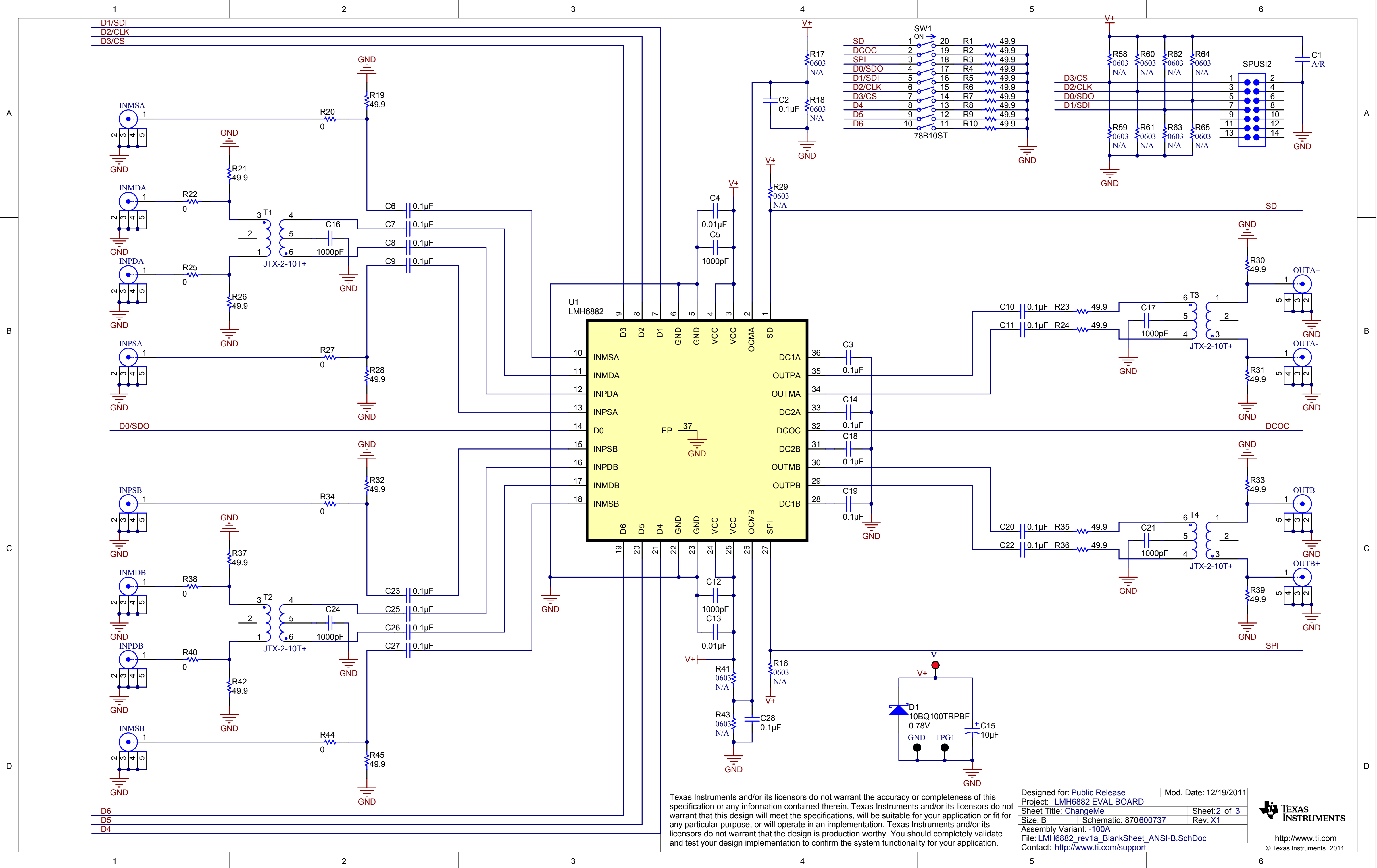
Revision History	
Revision	Notes

Place Block Diagram here (if appropriate) or delete this text box.
 If using a block diagram from another tool, save the picture as a .bmp file.
 Then, use menu Place|Drawing Tools|Graphic to insert the .bmp file on the schematic.

Texas Instruments and/or its licensors do not warrant the accuracy or completeness of this specification or any information contained therein. Texas Instruments and/or its licensors do not warrant that this design will meet the specifications, will be suitable for your application or fit for any particular purpose, or will operate in an implementation. Texas Instruments and/or its licensors do not warrant that the design is production worthy. You should completely validate and test your design implementation to confirm the system functionality for your application.

Designed for: Public Release	Mod. Date: 11/23/2011
Project: LMH6882 EVAL BOARD	
Sheet Title: ChangeMe	Sheet: 1 of 3
Size: B	Schematic: 870600737 Rev: X1
Assembly Variant: -100A	
File: LMH6882_rev1a_Cover Sheet_ANSI-B.SchDoc	
Contact: http://www.ti.com/support	





Texas Instruments and/or its licensors do not warrant the accuracy or completeness of this specification or any information contained therein. Texas Instruments and/or its licensors do not warrant that this design will meet the specifications, will be suitable for your application or fit for any particular purpose, or will operate in an implementation. Texas Instruments and/or its licensors do not warrant that the design is production worthy. You should completely validate and test your design implementation to confirm the system functionality for your application.

Designed for: Public Release	Mod. Date: 12/19/2011
Project: LMH6882 EVAL BOARD	
Sheet Title: ChangeMe	Sheet: 2 of 3
Size: B	Schematic: 870600737
Rev: X1	
Assembly Variant: -100A	
File: LMH6882_rev1a_BlankSheet_ANSI-B.SchDoc	
Contact: http://www.ti.com/support	



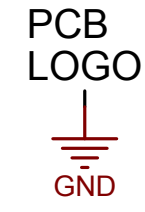
FID1

FID2

FID3

PCB Part Number: 551600737 -001 REV A

Texas Instruments



Texas Instruments and/or its licensors do not warrant the accuracy or completeness of this specification or any information contained therein. Texas Instruments and/or its licensors do not warrant that this design will meet the specifications, will be suitable for your application or fit for any particular purpose, or will operate in an implementation. Texas Instruments and/or its licensors do not warrant that the design is production worthy. You should completely validate and test your design implementation to confirm the system functionality for your application.

Designed for: Public Release	Mod. Date: 12/7/2011
Project: LMH6882 EVAL BOARD	
Sheet Title: ChangeMe	Sheet: 3 of 3
Size: B	Schematic: 870600737 Rev: X1
Assembly Variant: -100A	
File: LMH6882_rev1a_Hardware_ANSI-B.SchDoc	
Contact: http://www.ti.com/support	

