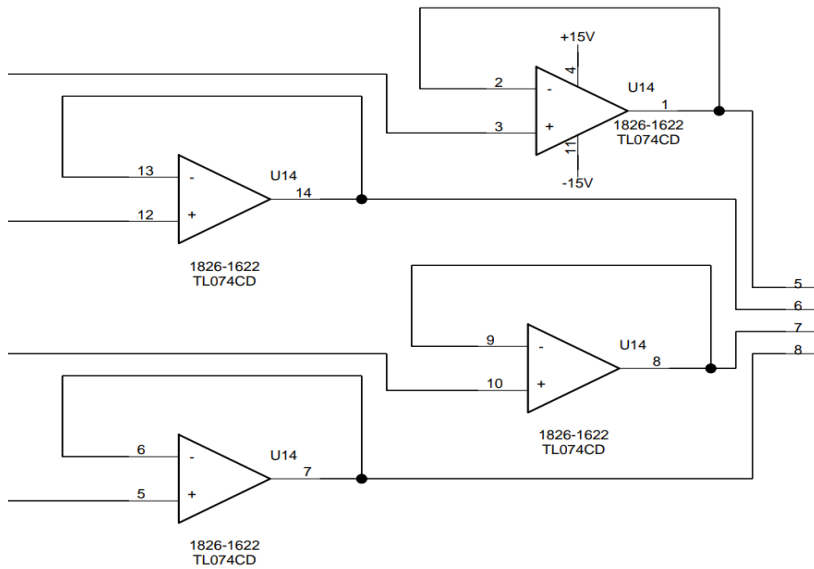


ANALYSIS FOR MPN TL074CD

U14



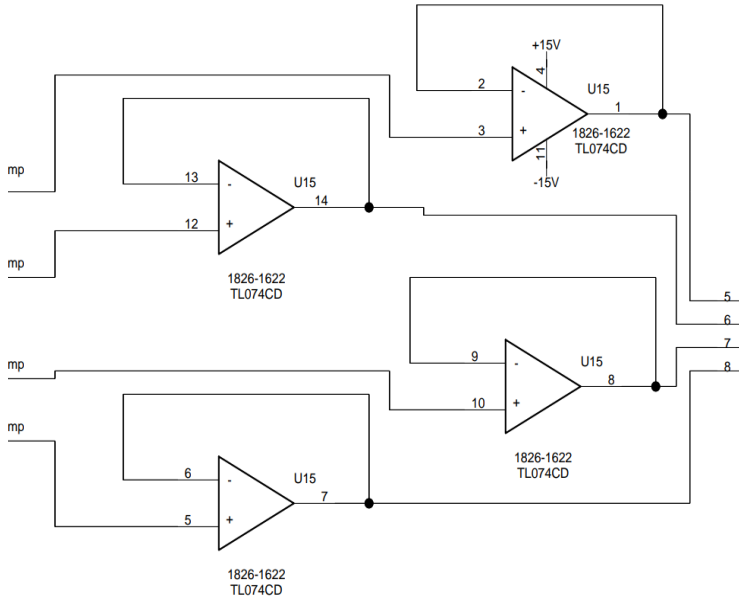
Good U14 (Use diode measure check)	
Pin2-3	0.891v
Pin13-12	0.891v
Pin9-10	0.894v
Pin6-5	0.895v

Bad U14 (Use diode measure check)	
Pin2-3	2.359v
Pin13-12	2.357v
Pin9-10	2.314v
Pin6-5	2.317v

Output to GND (Use diode measure check)	
Pin1- Gnd	1.676v
Pin14-Gnd	1.681v
Pin8-Gnd	1.677v
Pin7-Gnd	1.681v

Output to GND (Use diode measure check)	
Pin1- Gnd	2.231v
Pin14-Gnd	2.233v
Pin8-Gnd	2.232v
Pin7-Gnd	2.235v

U15



Good U15 (Use diode measure check)	
Pin2-3	0.897v
Pin13-12	0.896v
Pin9-10	0.898v
Pin6-5	0.899v

Bad U15 (Use diode measure check)	
Pin2-3	2.369v
Pin13-12	2.355v
Pin9-10	2.313v
Pin6-5	2.356v

Output to GND (Use diode measure check)	
Pin1- Gnd	1.692v
Pin14- Gnd	1.683v
Pin8- Gnd	1.681v
Pin7- Gnd	1.691v

Output to GND (Use diode measure check)	
Pin1- Gnd	2.234v
Pin14- Gnd	2.232v
Pin8- Gnd	2.233v
Pin7- Gnd	2.233v

Old IC body marking

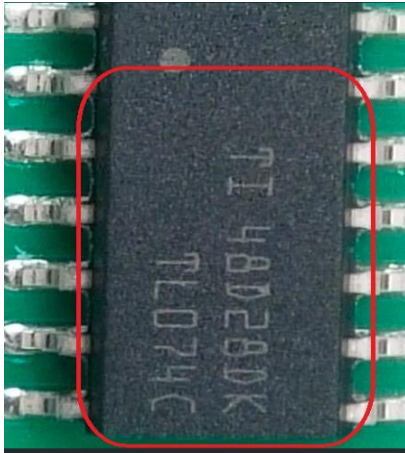


Node	Old IC U14	
L5_Monitor	Pin3 to 11(-15v)	0.673v
L6_Monitor	Pin12 to 11(-15v)	0.673v
L7_Monitor	Pin10 to 11(-15v)	0.673v
L8_Monitor	Pin5 to 11(-15v)	0.672v

New IC U14	
Pin3 to 11	0.847v
Pin12 to 11	0.847v
Pin10 to 11	0.847v
Pin5 to 11	0.847v

Good Raw part measure(OLD)	
Pin 1 to 11(-15v)	1.400v
Pin 2 to 11(-15v)	0.672v
Pin 3 to 11(-15v)	0.673v
Pin 4 to 11(-15v)	0.579v
Pin 5 to 11(-15v)	0.673v
Pin 6 to 11(-15v)	0.671v
Pin 7 to 11(-15v)	1.401v
Pin 8 to 11(-15v)	1.404v
Pin 9 to 11(-15v)	0.671v
Pin 10 to 11(-15v)	0.673v
Pin 11(-15v)	GND -15v
Pin 12 to 11(-15v)	0.674v
Pin 13 to 11(-15v)	0.672v
Pin 14 to 11(-15v)	1.403v

New IC body marking

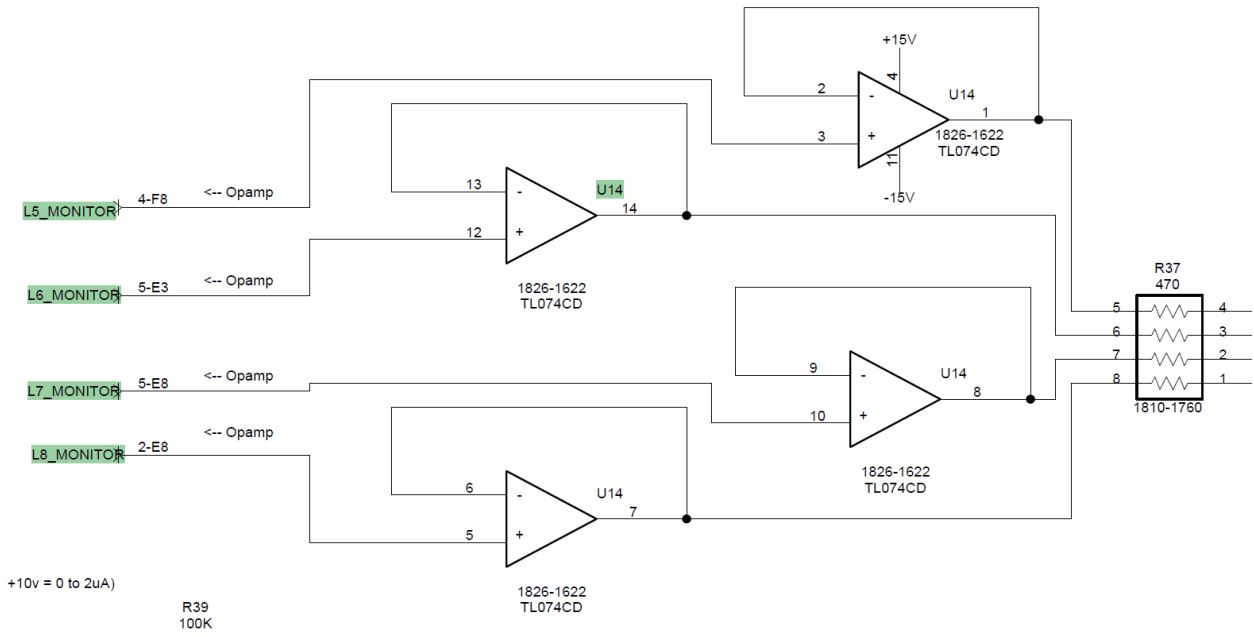


Node	Old IC U15	
L1_Monitor	Pin3 to 11(-15v)	0.673v
L2_Monitor	Pin12 to 11(-15v)	0.673v
L3_Monitor	Pin10 to 11(-15v)	0.673v
L4_monitor	Pin5 to 11(-15v)	0.673v

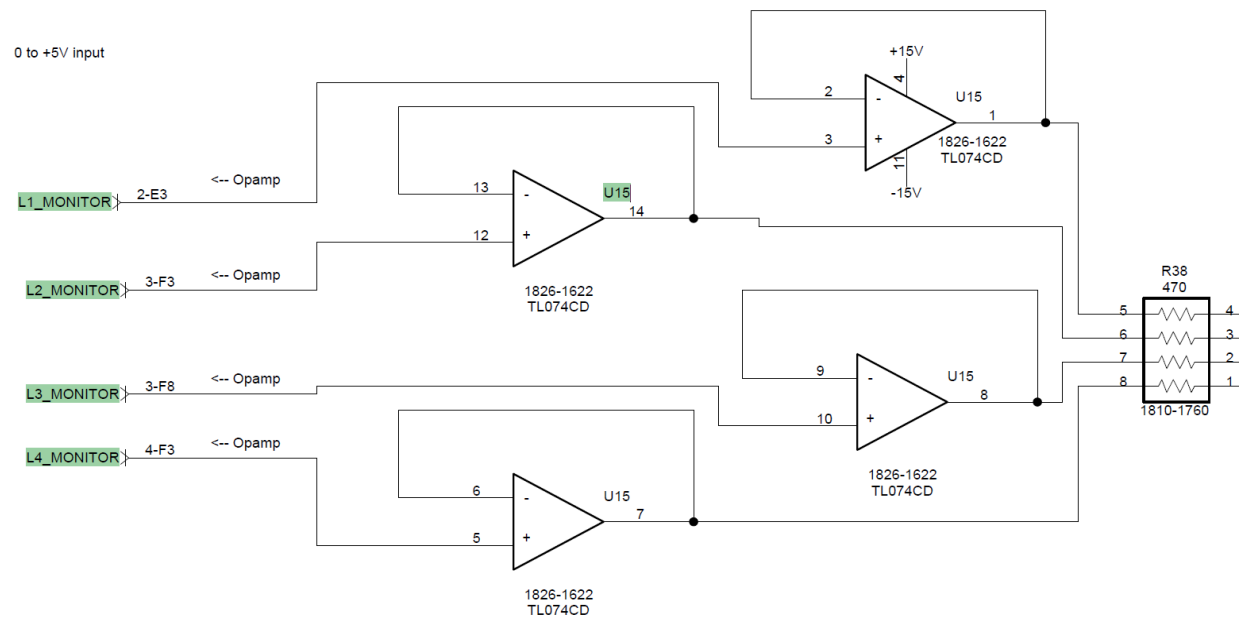
New IC U15	
Pin3 to 11	0.847v
Pin12 to 11	0.846v
Pin10 to 11	0.846v
Pin5 to 11	0.847v

Bad Raw part measure(NEW)	
Pin 1 to 11(-15v)	0.813v
Pin 2 to 11(-15v)	0.850v
Pin 3 to 11(-15v)	0.849v
Pin 4 to 11(-15v)	0.678v
Pin 5 to 11(-15v)	0.849v
Pin 6 to 11(-15v)	0.849v
Pin 7 to 11(-15v)	0.813v
Pin 8 to 11(-15v)	0.813v
Pin 9 to 11(-15v)	0.804v
Pin 10 to 11(-15v)	0.848v
Pin 11(-15v)	GND -15v
Pin 12 to 11(-15v)	0.849v
Pin 13 to 11(-15v)	0.849v
Pin 14 to 11(-15v)	0.813v

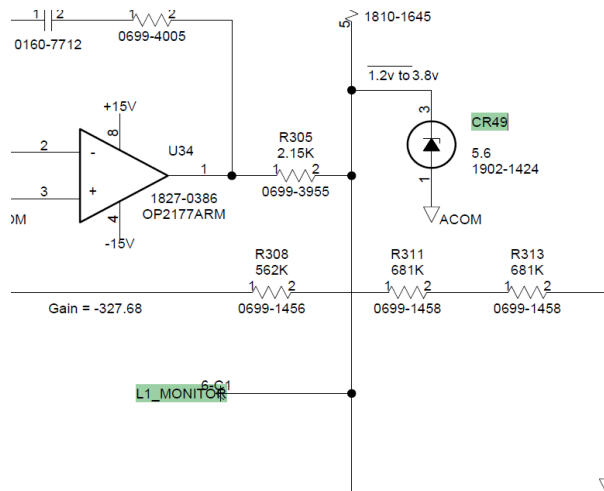
U14 (MPN: TL074CD)



U15 (MPN: TL074CD)



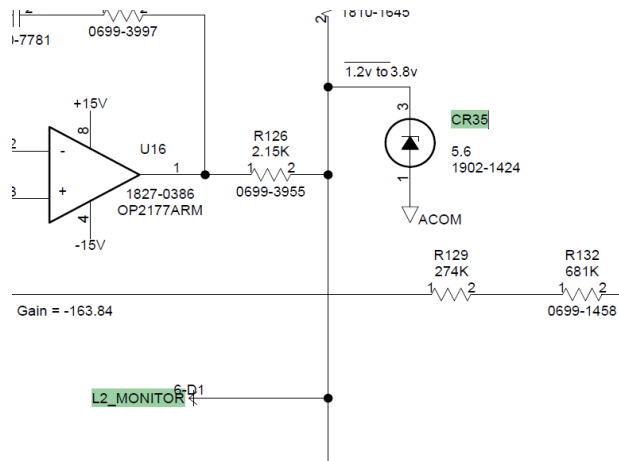
L1_Monitor to CR49



Other Connection:

- L3_Monitor to CR34
- L4_Monitor to CR9
- L5_Monitor to CR10
- L6_Monitor to CR43
- L7_Monitor to CR42
- L8_Monitor to CR48

L2_Monitor to CR35



Serial Number	Measurement (V)								Result
	Nominal: 5.60 High Limit: 5.88 Low Limit: 5.32								
	CR9	CR10	CR34	CR35	CR42	CR43	CR48	CR49	
G7003-61006-B.02-1C-2445-114	0.9872	1.0467	1.1129	1.171	1.2302	1.2908	1.3444	1.404	Fail
G7003-61006-B.02-1C-2445-123	0.99713	1.0492	1.1145	1.1743	1.234	1.2941	1.3486	1.4077	Fail
G7003-61006-B.02-1C-2445-124	0.98582	1.0485	1.1132	1.1731	1.235	1.296	1.3507	1.4085	Fail
G7003-61006-B.02-1C-2445-145	0.98651	1.0478	1.1146	1.1734	1.2343	1.296	1.3507	1.4098	Fail
G7003-61006-B.02-1C-2445-155	0.98582	1.0495	1.1153	1.1759	1.2385	1.3005	1.3562	1.4154	Fail
G7003-61006-B.02-1C-2445-159	0.98623	1.0479	1.114	1.1739	1.2355	1.2967	1.3521	1.4113	Fail
G7003-61006-B.02-1C-2445-173	0.98928	1.0512	1.1167	1.1769	1.2385	1.2998	1.3541	1.4126	Fail
G7003-61006-B.02-1C-2445-175	0.98928	1.0554	1.1219	1.181	1.2423	1.3032	1.3572	1.4164	Fail
G7003-61006-B.02-1C-2445-180	0.98582	1.0478	1.1139	1.1734	1.2354	1.2967	1.3513	1.4098	Fail
G7003-61006-B.02-1C-2445-188	0.98675	1.0479	1.1153	1.175	1.2361	1.2966	1.3514	1.4129	Fail