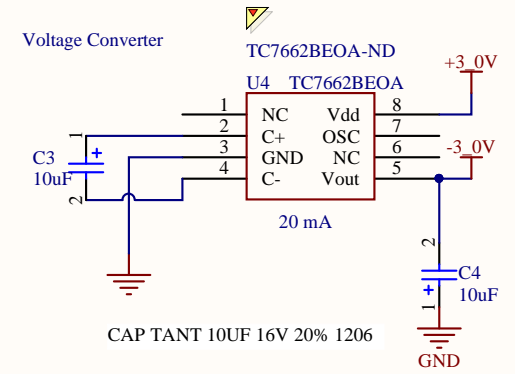
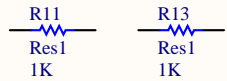
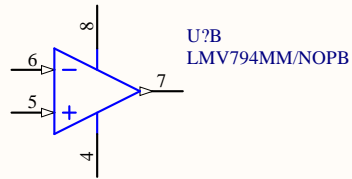
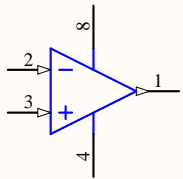
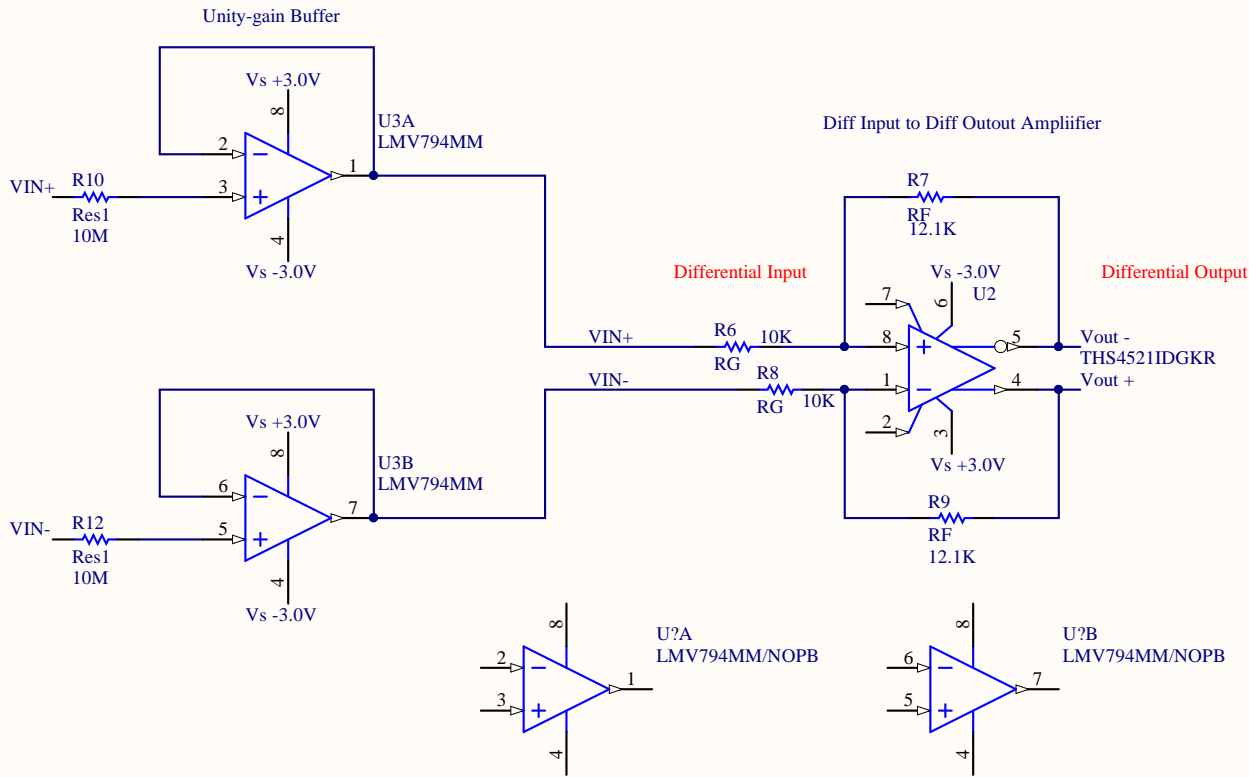


Vin = +/- 2V
Vout = 0 to 3V



Title		
Size	Number	Revision
A		
Date:	11/1/2017	Sheet of
File:	U:\Projects\..\Mini DL-1 Page 2.SchDoc	Drawn By: