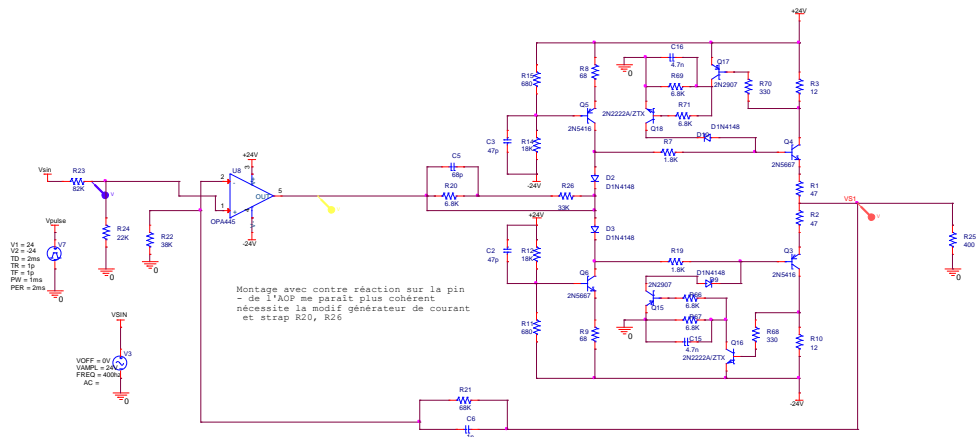
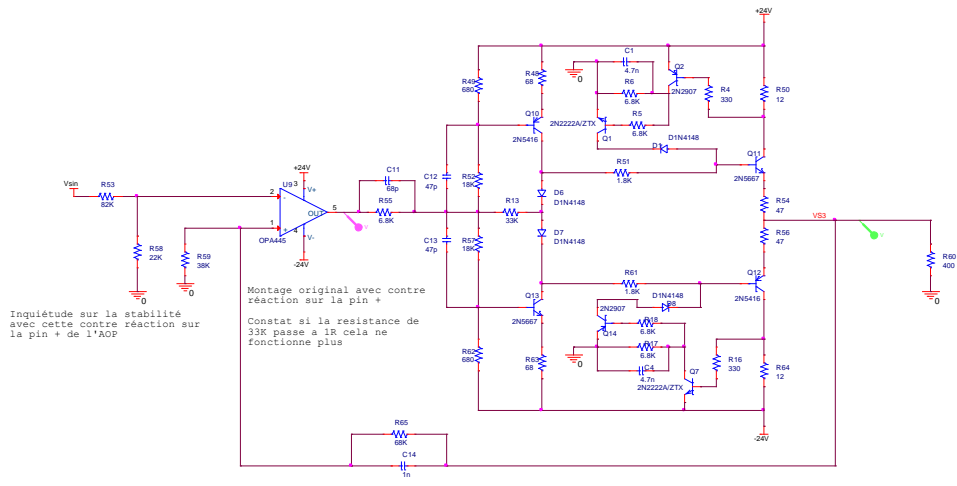


## Amplifier schematic class AB with pin feedback -

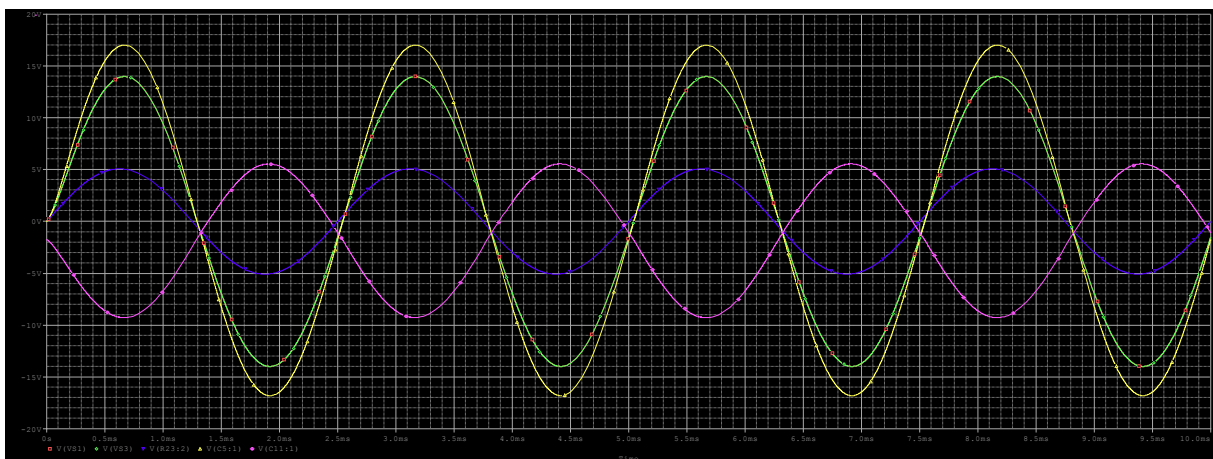
### Modification of current generators



## Amplifier schematic class AB with pin feedback +



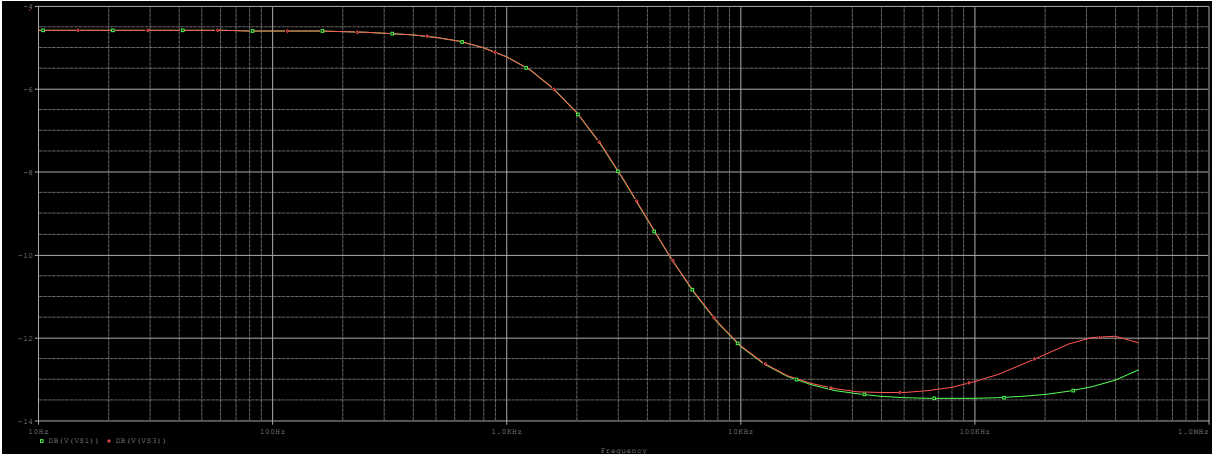
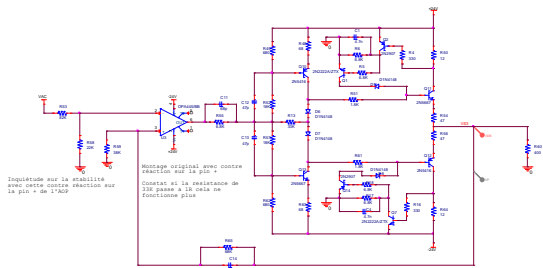
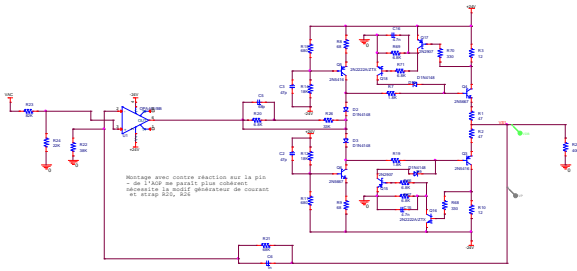
## Résultats



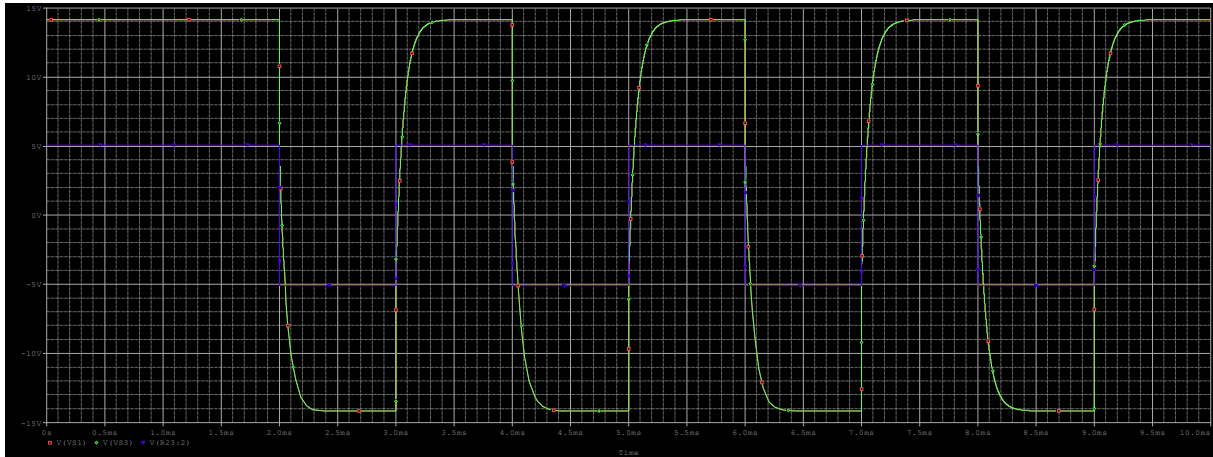
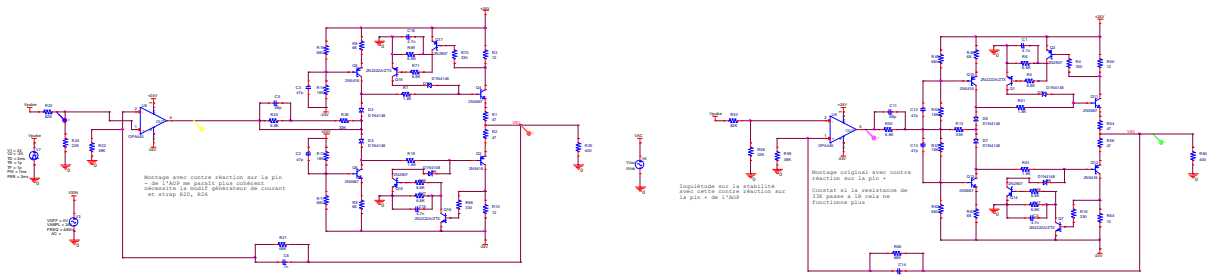
Identical result with both assemblies

Why does the amp with a feedback on the pin + it works?

# Bode



# Square



No différence