

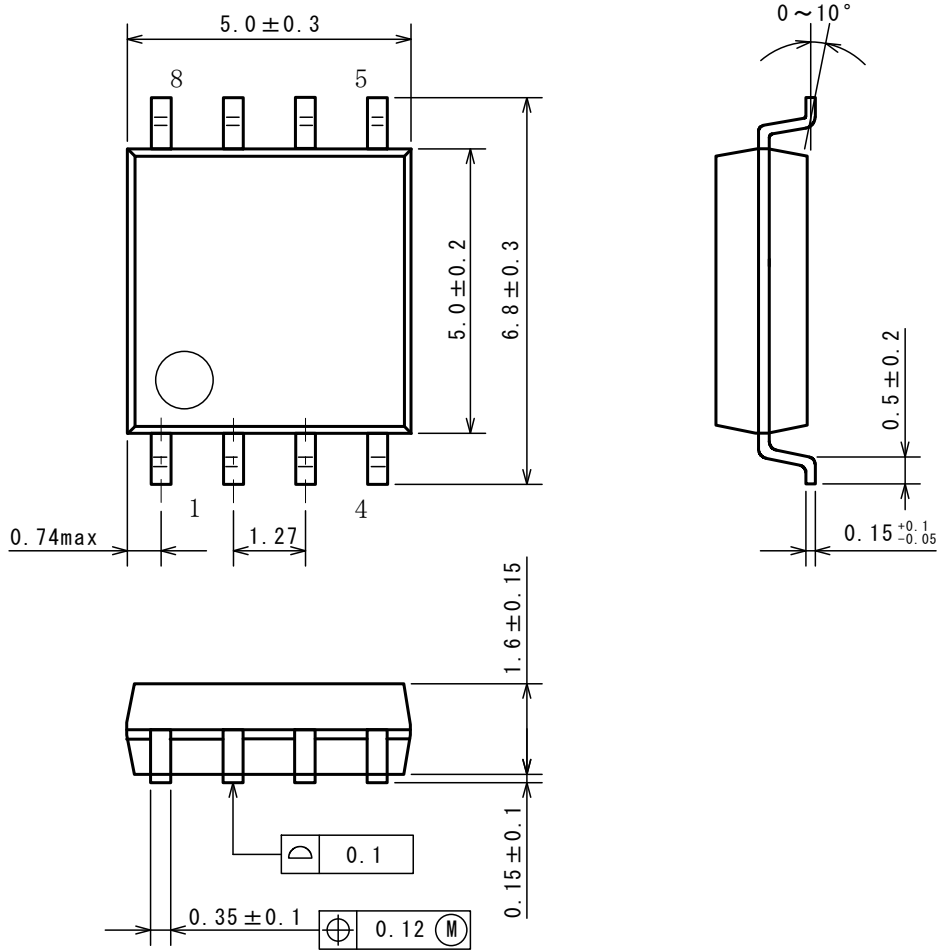
# Nisshinbo Micro Devices Inc.

DMP8

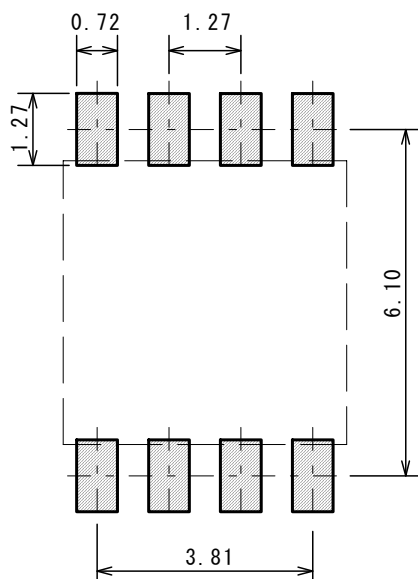
PI-DMP8-E-B

## ■ PACKAGE DIMENSIONS

UNIT: mm



## ■ EXAMPLE OF SOLDER PADS DIMENSIONS



# Nisshinbo Micro Devices Inc.

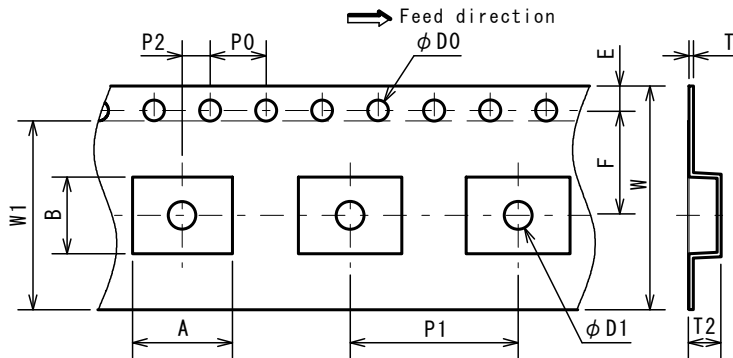
DMP8

PI-DMP8-E-B

■ PACKING SPEC

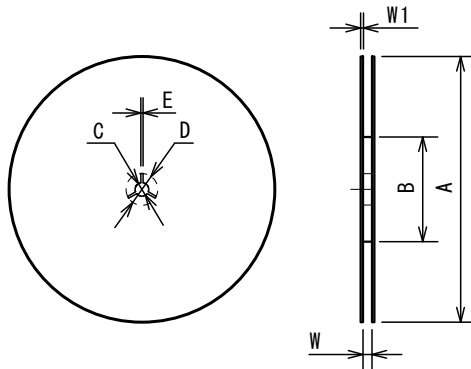
UNIT: mm

TAPING DIMENSIONS



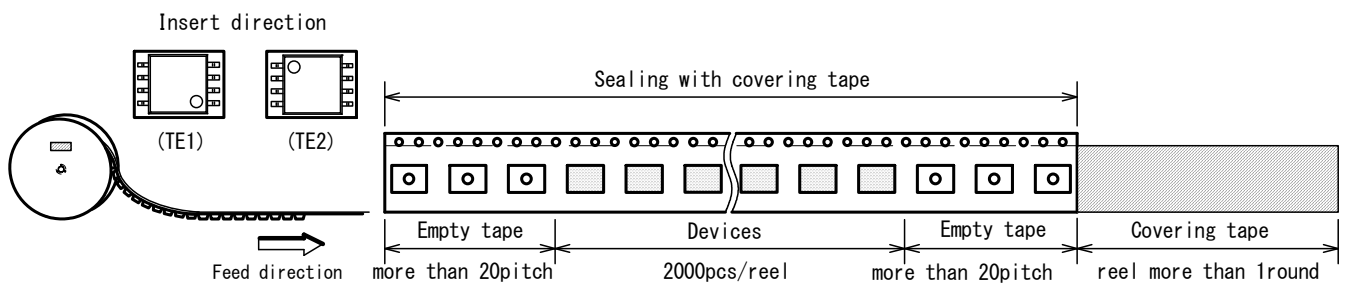
SYMBOL	DIMENSION	REMARKS
A	7.1	BOTTOM DIMENSION
B	5.4	BOTTOM DIMENSION
D0	1.55±0.05	
D1	2.05±0.1	
E	1.75±0.1	
F	7.5±0.1	
P0	4.0±0.1	
P1	12.0±0.1	
P2	2.0±0.1	
T	0.3±0.05	
T2	2.3	
W	16.0±0.3	
W1	13.5	THICKNESS 0.1max

REEL DIMENSIONS

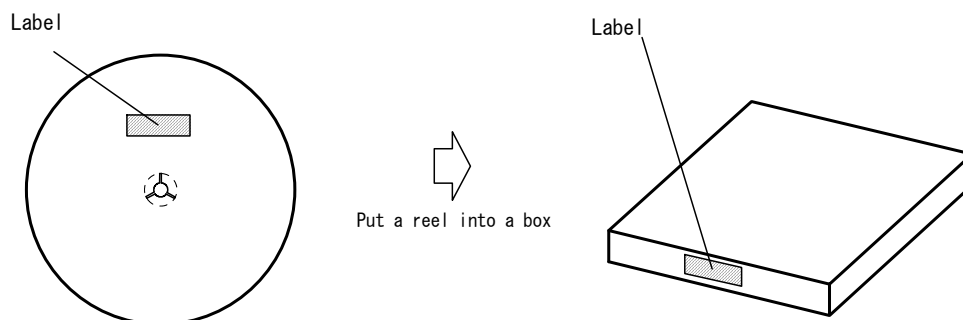


SYMBOL	DIMENSION
A	φ 330±2
B	φ 80±1
C	φ 13±0.2
D	φ 21±0.8
E	2±0.5
W	17.5±0.5
W1	2±0.2

TAPING STATE



PACKING STATE



# Nisshinbo Micro Devices Inc.

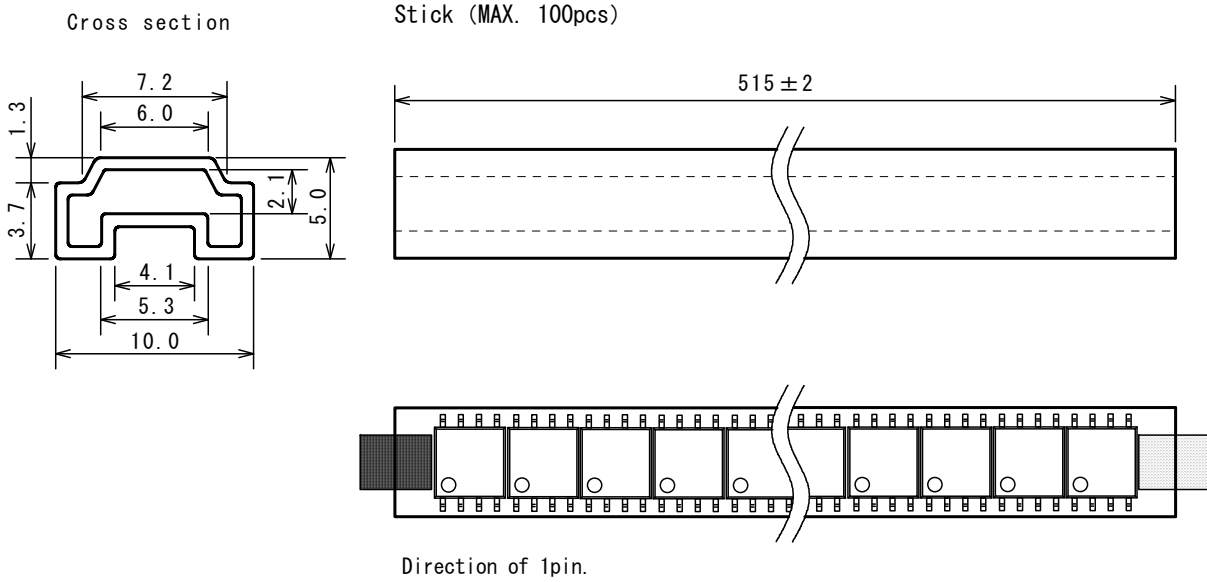
DMP8

PI-DMP8-E-B

■ PACKING SPEC

UNIT: mm

STICK DIMENSIONS



PACKING STATE

