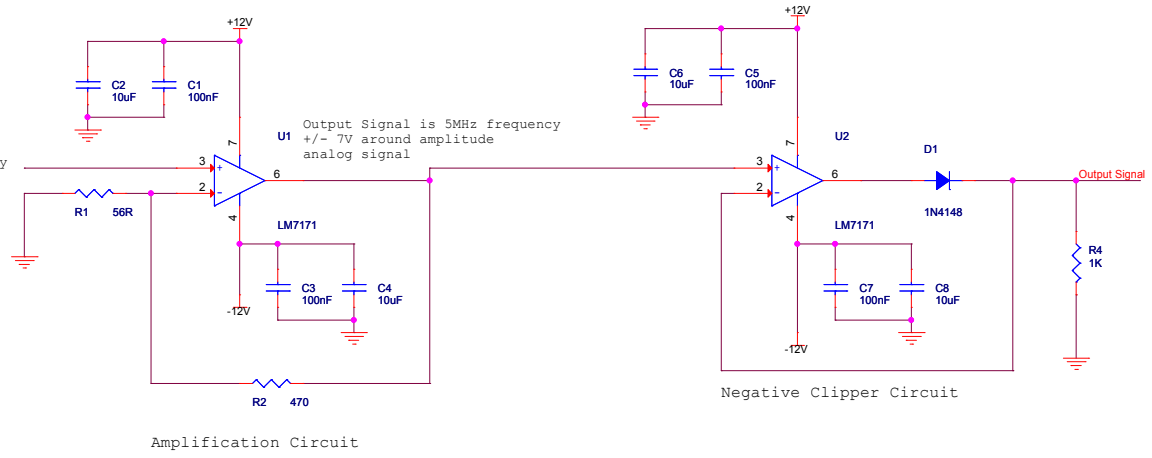


Input Signal is 5MHz frequency
 +/- 750mV around amplitude
 analog signal



Title	<Title>	
Size	Document Number	Rev
A3	<Doc>	<Rev Code>
Date:	Thursday, November 24, 2016	Sheet 1 of 1