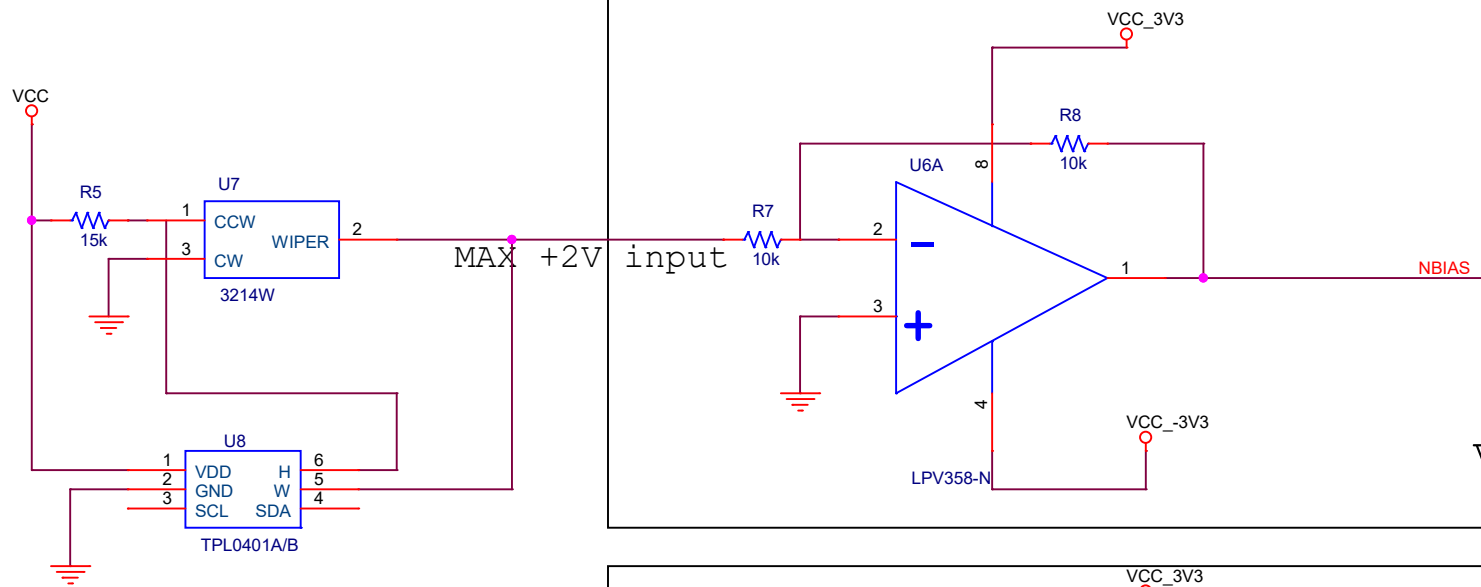
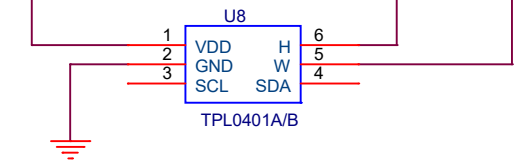


D

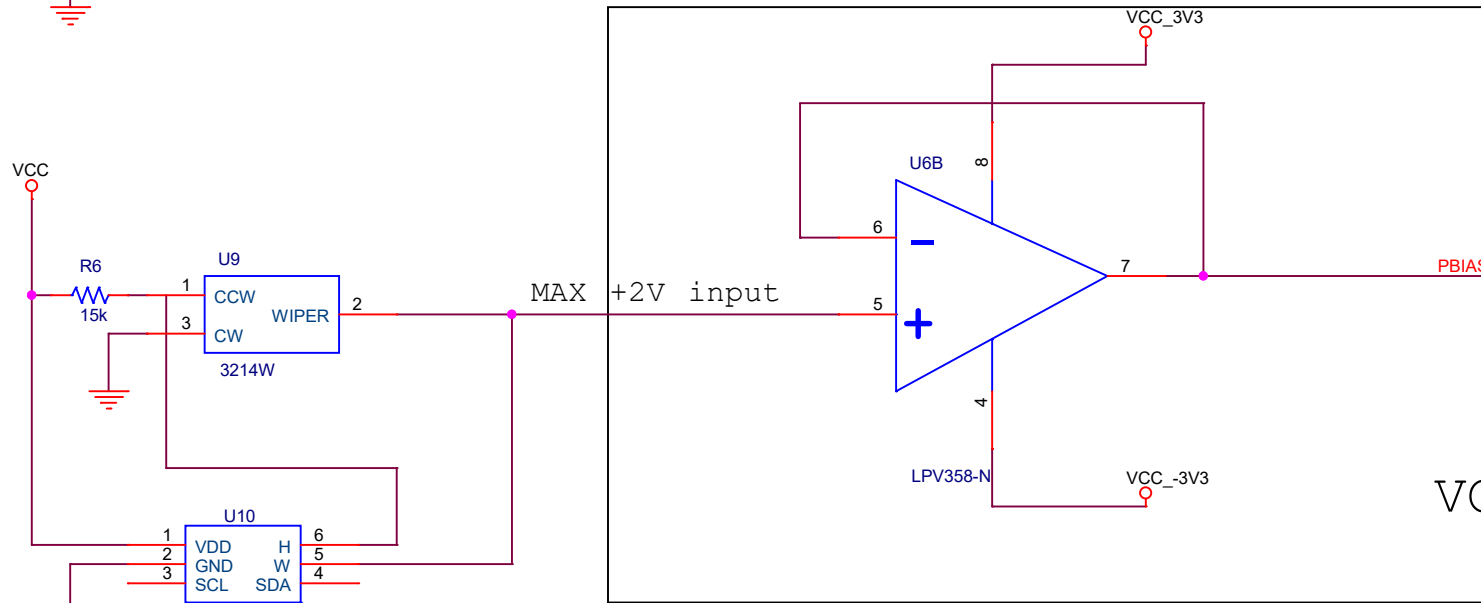


VOLTAGE INVERTER

C

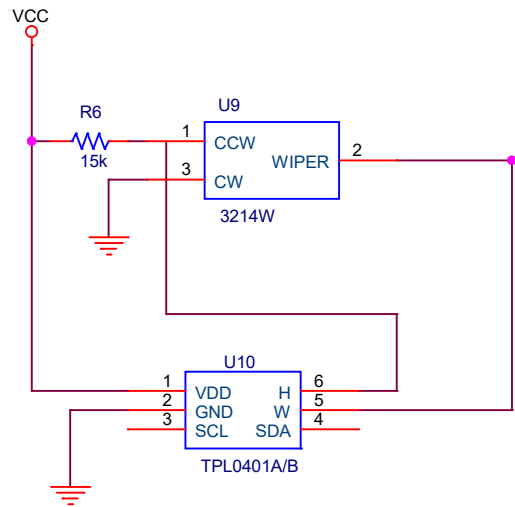


B



VOLTAGE FOLLOWER

A



Title		
<Title>		
Size	Document Number	Rev
A4	<Doc>	<Rev>
Date:	Thursday, June 14, 2018	Sheet 1 of 1