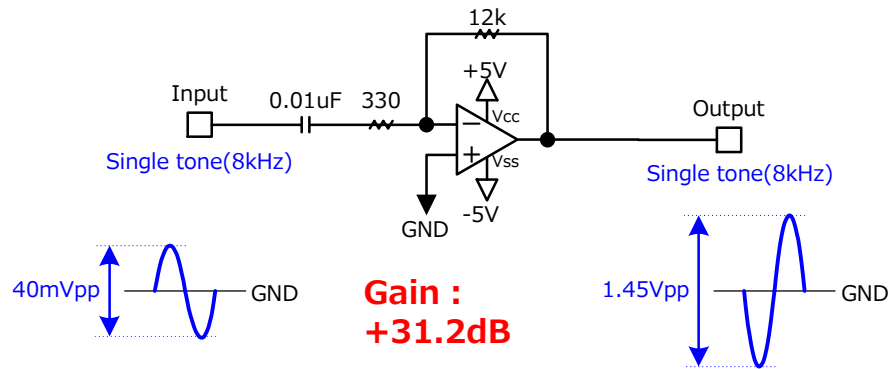


OPA4187IPWR



In the circuit diagram above, if the input level is 40mVpp, is it possible that the output is about 1.45Vpp(about +31.2dB)?

OPA187, OPA2187, OPA4187

SBOS807E – DECEMBER 2016 – REVISED MAY 2020

at $V_S = \pm 18\text{ V}$, $V_{CM} = V_S / 2$, $R_{LOAD} = 10\text{ k}\Omega$ connected to $V_S / 2$, an

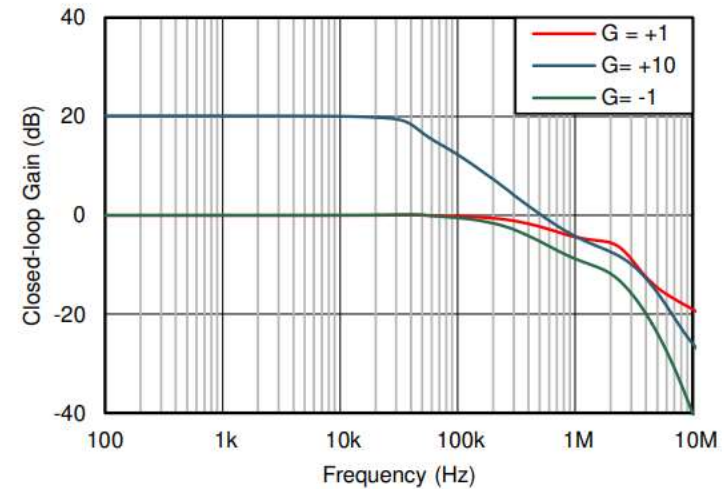


Figure 7. Closed-Loop Gain vs Frequency