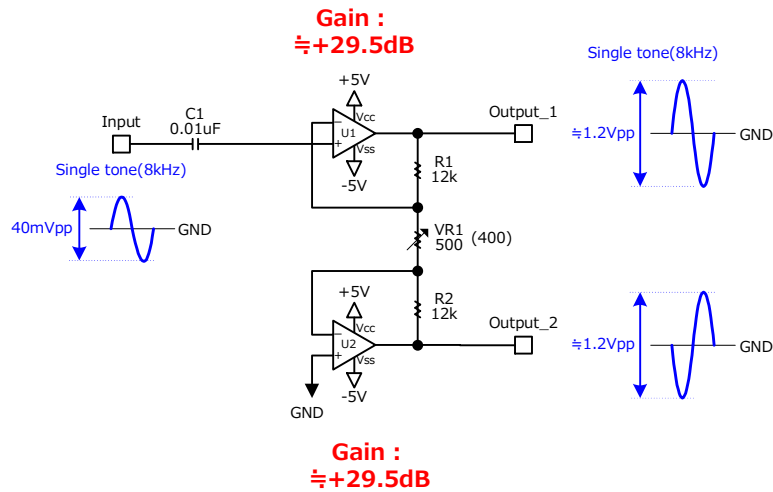


OPA4187IPWR

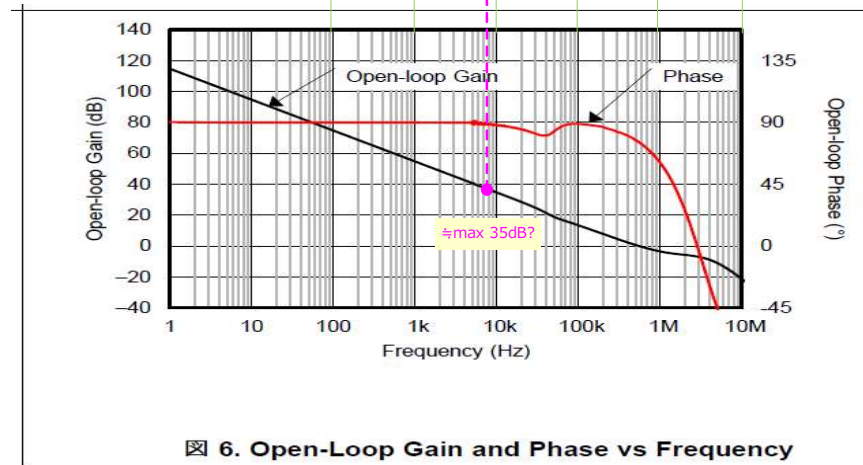
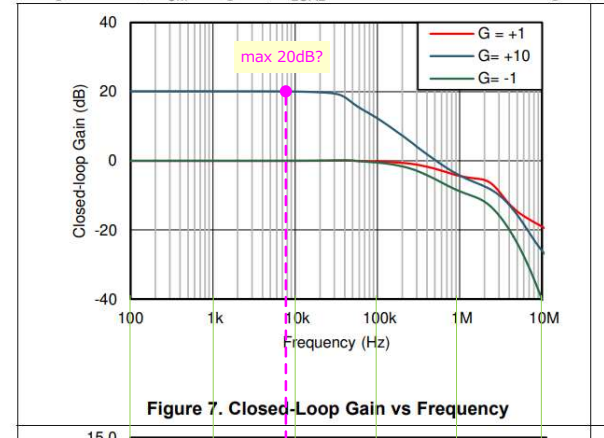


In the schematic above, if the input level is 40mVpp, is it possible that the output is about 1.2Vpp(about +29.5dB)?

OPA187, OPA2187, OPA4187

SBOS807E – DECEMBER 2016 – REVISED MAY 2020

at $V_S = \pm 18\text{V}$, $V_{CM} = V_S / 2$, $R_{LOAD} = 10\text{k}\Omega$ connected to $V_S / 2$, an



I am confused about the loop gain. In the schematic on the left, which is applicable, open loop gain or closed loop gain?

max +20dB? or \approx max +35dB?