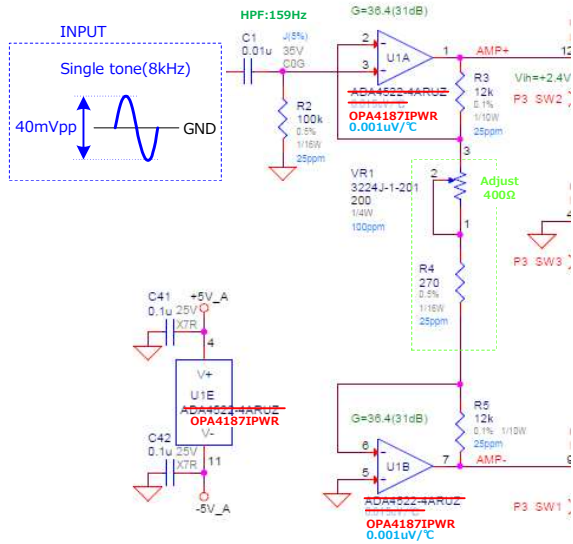


OPA4187IPWR



Sorry, I am not good at English.
I have a simple question.

The figure on the left is the true schematic.

I want to use OPA4187IPWR which has Zero drift: $0.001 \mu\text{V}/^\circ\text{C}$.
How much is the maximum gain in the left schematic?

It is possible to change R3,R4,R5 and VR1.

I can not change to split the two gain stages because PCB fixed.

