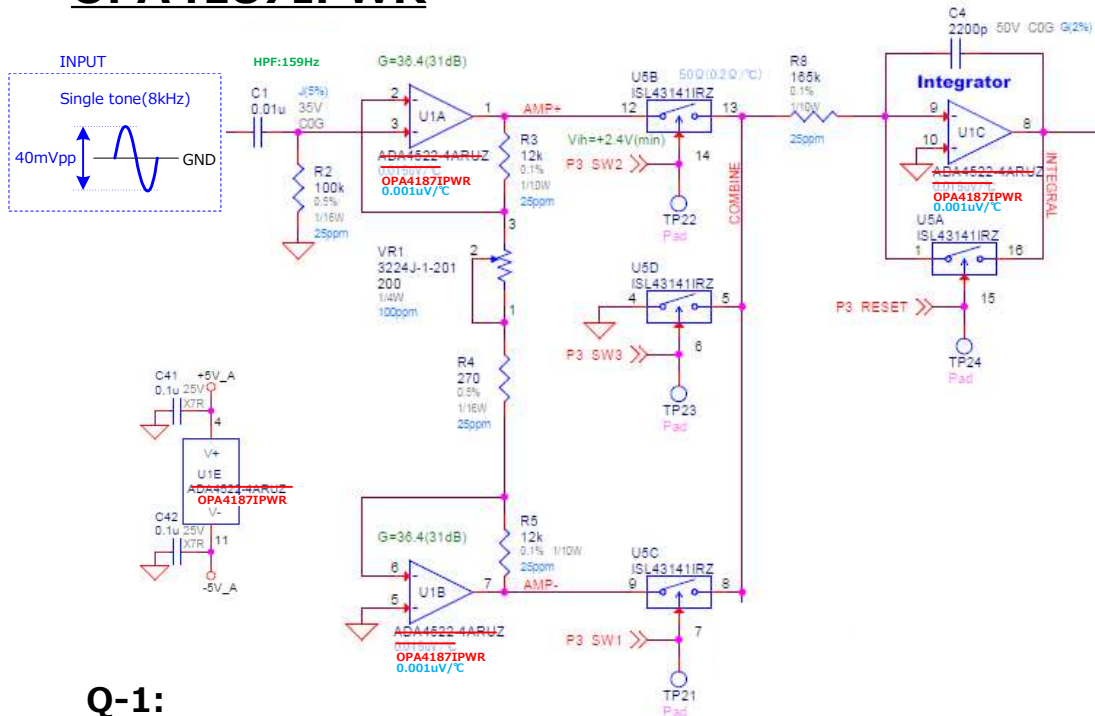


OPA4187IPWR



Q-1:

Currently, the input is 40mVpk.

Do you have a change to increase the input voltage swing, say 50-60mVpk at 8kHz, ?

A-1:

The input level(40mvpp) is fixed.

Q-2:

What types of load that Output1 and Output2 are driving?

The output is a differential output or the load is Output1 - Output2.

A-2:

At behind Output1 and Output2, detected and integrated.

So it is possible to reduce the output level by increasing the integration time.

Q-3:

Output signals have a slight phase shift from input signal as it is configured.

Are you concerned about the phase shift?

I assumed that it is important to have the voltage swing amplitudes of the 8kHz at the output.

A-3:

I don't mind the phase shift at all.