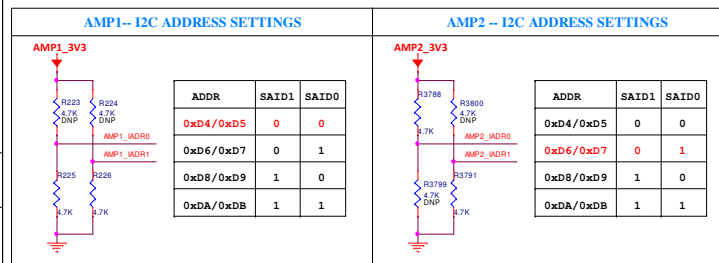
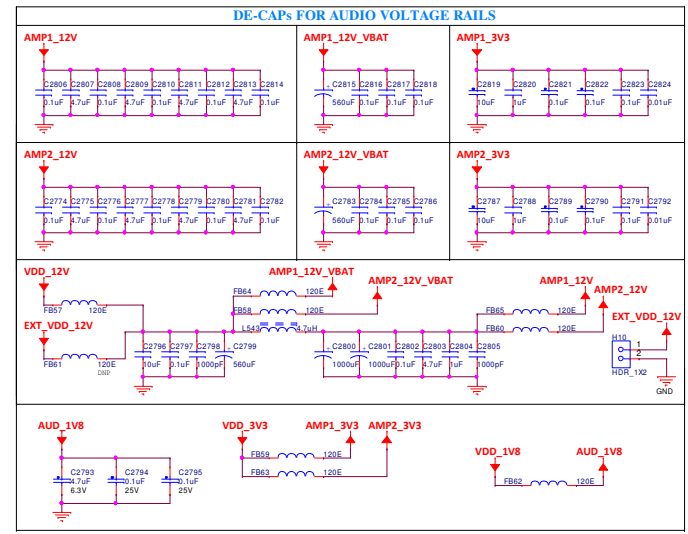
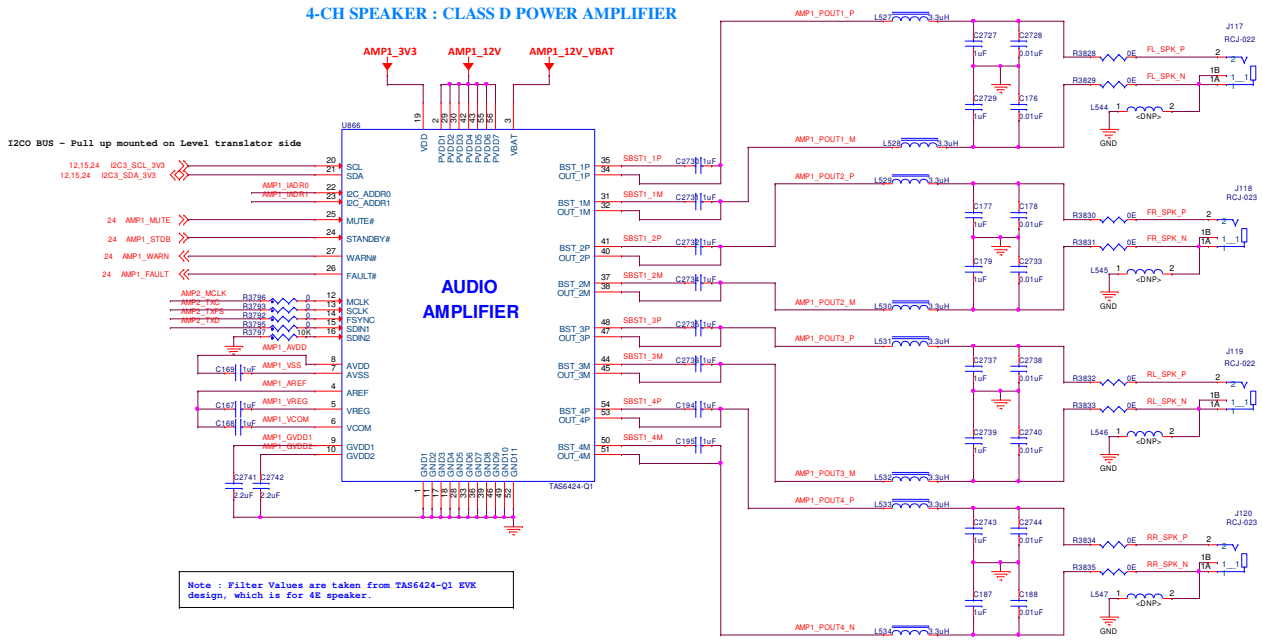


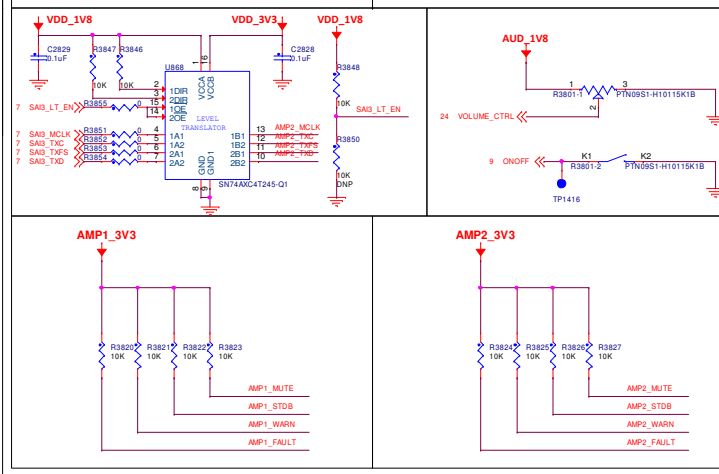
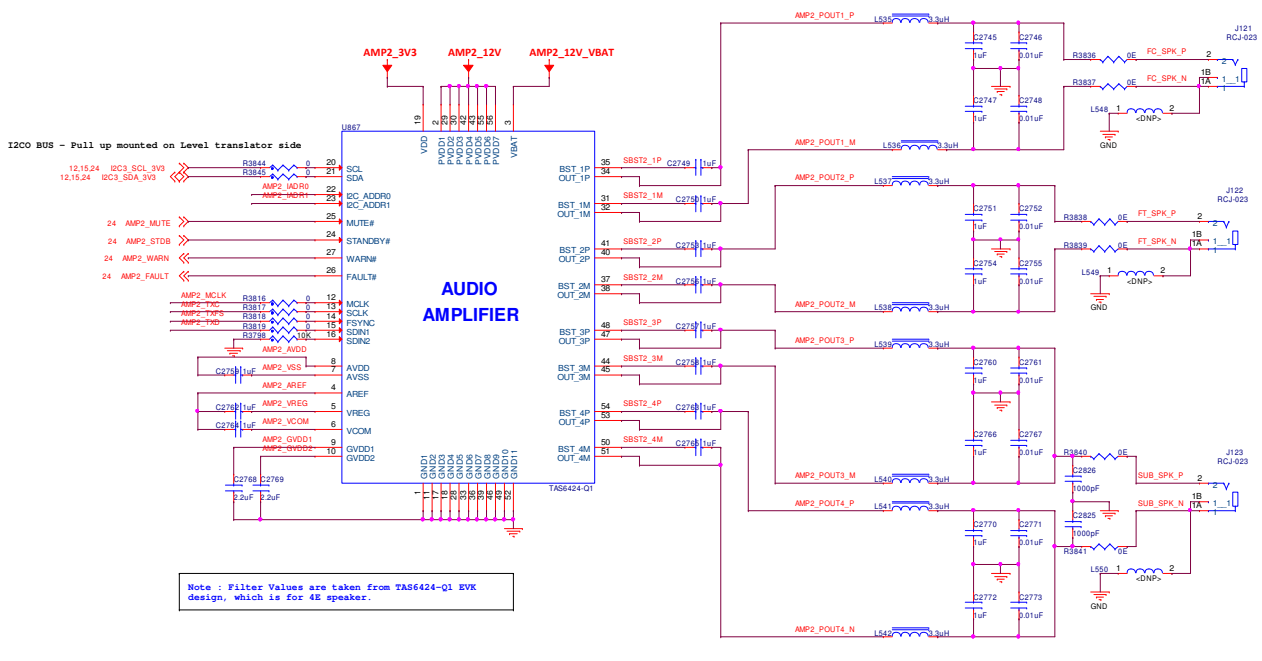
# AUDIO AMPLIFIER 1 (FL+FR+RL+RR)

## 4-CH SPEAKER : CLASS D POWER AMPLIFIER



# AUDIO AMPLIFIER 2 (CENTER + SUB WOOFER)

## 4-CH SPEAKER : CLASS D POWER AMPLIFIER



OptM Media Solutions Pvt. Ltd.

**PROJECT: INFOTAINMENT\_REV1.0**

**TITLE: AUDIO AMPLIFIER**

Rev	CAGE Code	DWG NO	Rev
A2	1.0	OptM_INF_01	2.0

Scale: 1:1 | Wednesday, December 17, 2025 | Sheet 12 of 29