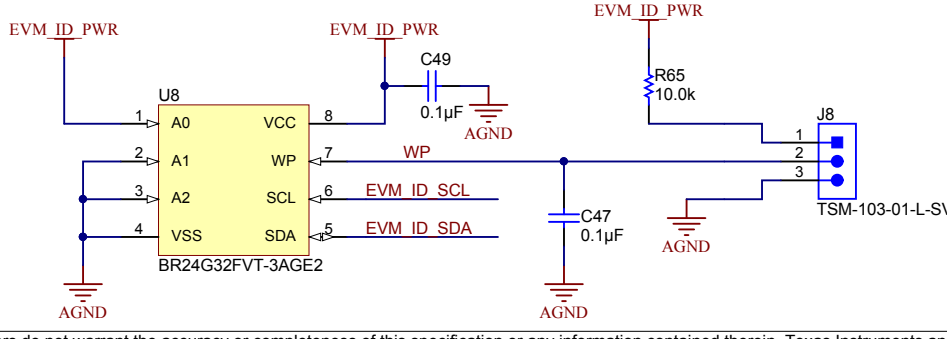
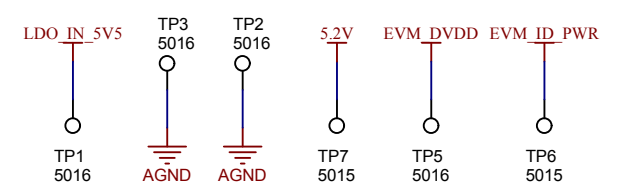


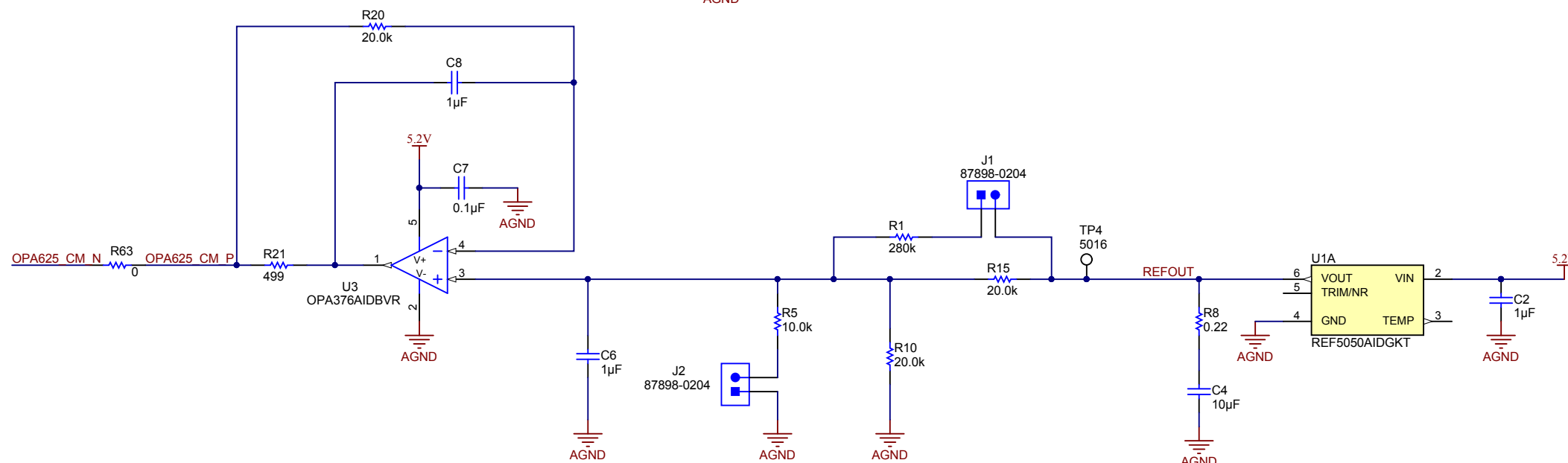
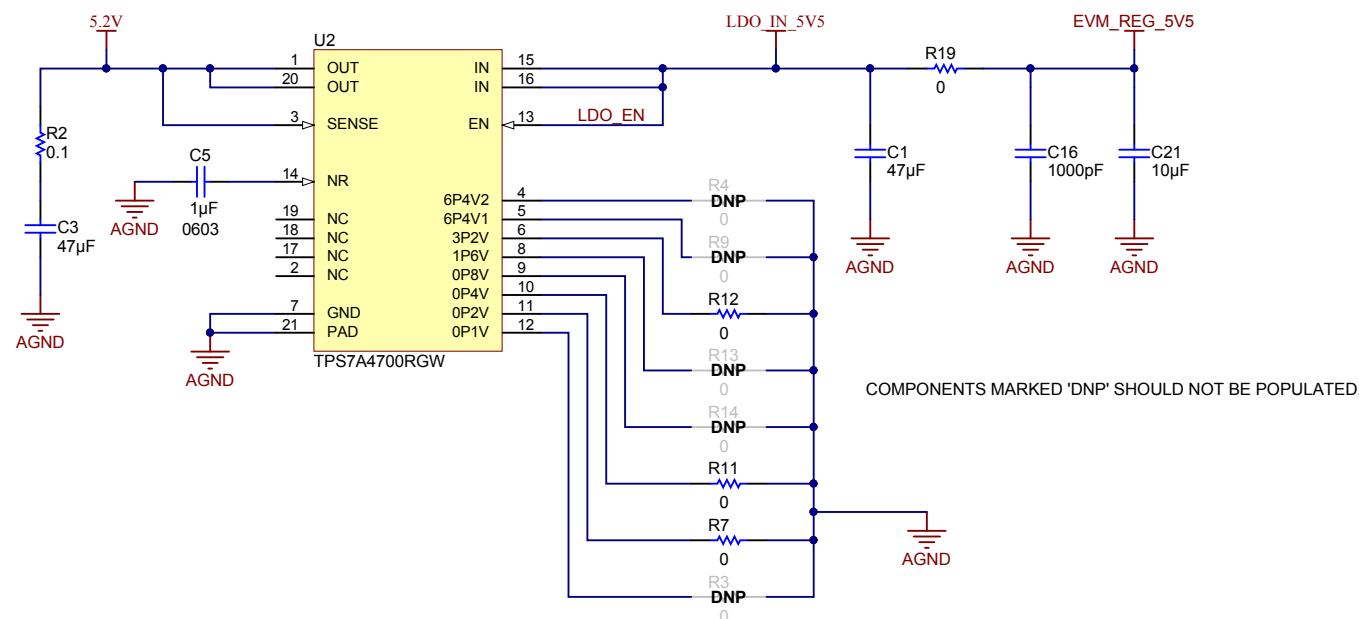
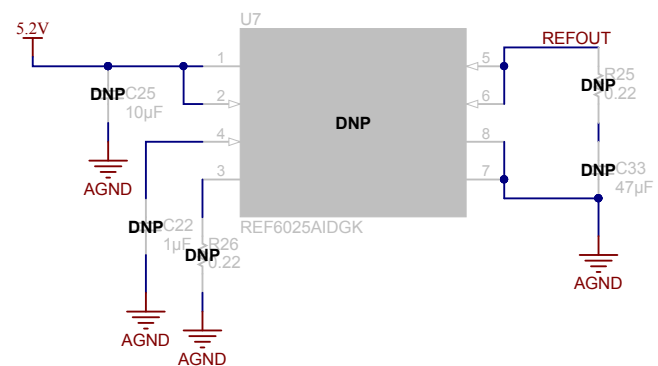
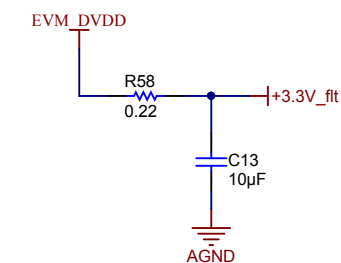
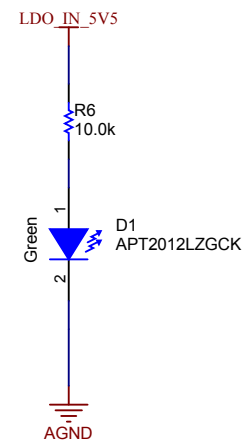
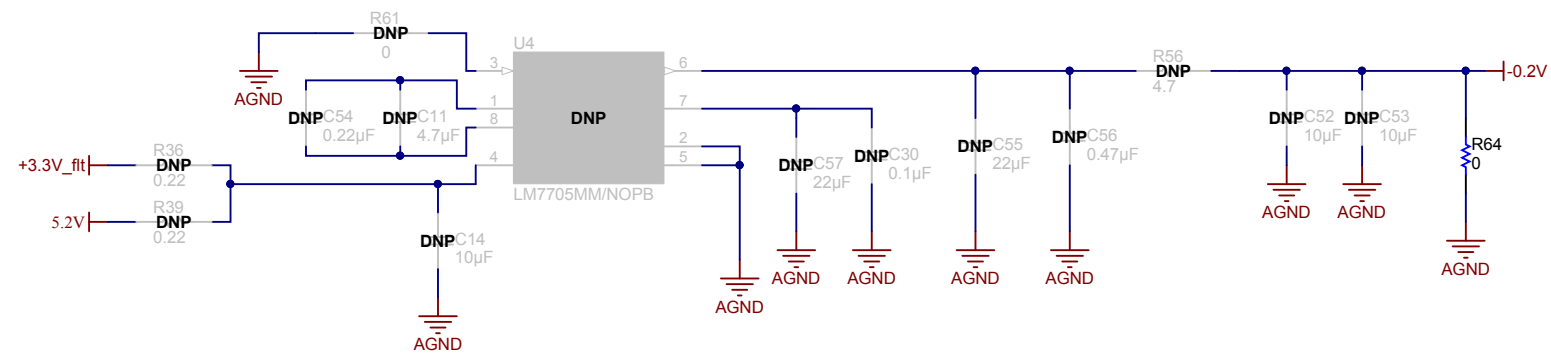
COMPONENTS MARKED 'DNP' SHOULD NOT BE POPULATED.



Orderable:	PA006	Designed for:	Public	Mod. Date:	2/12/2016
TID #:	N/A	Project Title:	ADS91xx ADS89xx EVM-PDK		
Number:	PA006	Rev:	C	Sheet Title:	ADC and Drivers
SVN Rev:	Version control disabled	Assembly Variant:	001	Sheet:	1 of 3
Drawn By:	Rafael Ordonez	File:	PA006C_Schematic1.SchDoc	Size:	B
Engineer:	Shridhar More	Contact:	http://www.ti.com/support		



Texas Instruments and/or its licensors do not warrant the accuracy or completeness of this specification or any information contained therein. Texas Instruments and/or its licensors do not warrant that this design will meet the specifications, will be suitable for your application or fit for any particular purpose, or will operate in an implementation. Texas Instruments and/or its licensors do not warrant that the design is production worthy. You should completely validate and test your design implementation to confirm the system functionality for your application.



Orderable: PA006	Designed for: Public	Mod. Date: 2/12/2016
TID #: N/A	Project Title: ADS91xx ADS89xx EVM-PDK	
Number: PA006	Rev: C	Sheet Title: LDO and Reference
SVN Rev: Version control disabled	Assembly Variant: 001	Sheet: 2 of 3
Drawn By: Rafael Ordonez	File: PA006C_Schematic2.SchDoc	Size: B
Engineer: Shridhar More	Contact: http://www.ti.com/support	

Texas Instruments and/or its licensors do not warrant the accuracy or completeness of this specification or any information contained therein. Texas Instruments and/or its licensors do not warrant that this design will meet the specifications, will be suitable for your application or fit for any particular purpose, or will operate in an implementation. Texas Instruments and/or its licensors do not warrant that the design is production worthy. You should completely validate and test your design implementation to confirm the system functionality for your application.



© Texas Instruments 2016

H1 PMSSS 440 0025 PH H2 PMSSS 440 0025 PH H3 PMSSS 440 0025 PH H4 PMSSS 440 0025 PH H12 DNP 102-1092-BL-00100 CABLE USB A MALE-B MICRO MALE 1M (Kit Item)

H5 1891 H6 1891 H7 1891 H8 1891 H14 RM3X4MM 2701 H15 RM3X4MM 2701 H9 9774050360R H10 9774050360R

DNP FID1 DNP FID2 DNP FID3 DNP FID4 DNP FID5 DNP FID6

PCB Number: PA006
PCB Rev: C

Printed Circuit Board for Evaluation of ADS9110

Logo1 PCB LOGO Pb-Free Symbol
Logo2 PCB LOGO Texas Instruments
Logo3 PCB LOGO FCC disclaimer

SH-J1
SH-J2
SH-J3

DNP USB Controller Board for ADC EVMs (Kit Item)

Label Table	
Variant	Label Text
001	ADS9110EVM-PDK
002	ADS9120EVM-PDK
003	ADS8900BEVM-PDK
004	ADS8910BEVM-PDK
005	ADS8920BEVM-PDK

LBL1 PCB Label
Size: 0.65" x 0.20"

ZZ1 Label Assembly Note
This Assembly Note is for PCB labels only

ZZ2 Assembly Note
These assemblies are ESD sensitive, ESD precautions shall be observed.

ZZ3 Assembly Note
These assemblies must be clean and free from flux and all contaminants. Use of no clean flux is not acceptable.


ZZ4 Assembly Note
These assemblies must comply with workmanship standards IPC-A-610 Class 2, unless otherwise specified.

ZZ5 Assembly Note
Place H14 and H15 screws in H9 and H10 standoffs

ZZ6 Assembly Note
Place H1, H2, H3, H4 screws in H5, H6, H8, H9 standoffs

ZZ7 Assembly Note
Mount Shuts at: J2, J4:1-2, and J6:2-3

Texas Instruments and/or its licensors do not warrant the accuracy or completeness of this specification or any information contained therein. Texas Instruments and/or its licensors do not warrant that this design will meet the specifications, will be suitable for your application or fit for any particular purpose, or will operate in an implementation. Texas Instruments and/or its licensors do not warrant that the design is production worthy. You should completely validate and test your design implementation to confirm the system functionality for your application.

Orderable: PA006	Designed for: Public	Mod. Date: 2/12/2016	 TEXAS INSTRUMENTS http://www.ti.com © Texas Instruments 2016
TID #: N/A	Project Title: ADS91xx ADS89xx EVM-PDK		
Number: PA006	Rev: C	Sheet Title:	
SVN Rev: Version control disabled	Assembly Variant: 001	Sheet: 3 of 3	
Drawn By: Rafael Ordonez	File: PA006C Hardware.SchDoc	Size: B	
Engineer: Shridhar More	Contact: http://www.ti.com/support		