

1

2

3

4

A

A

B

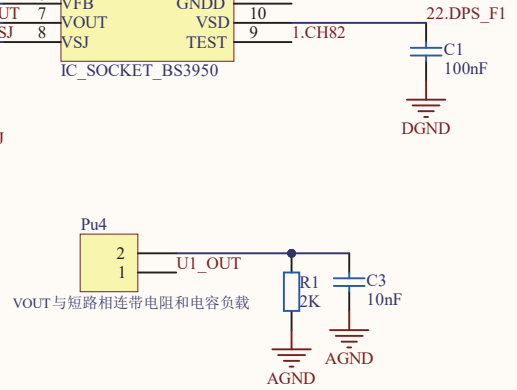
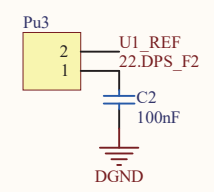
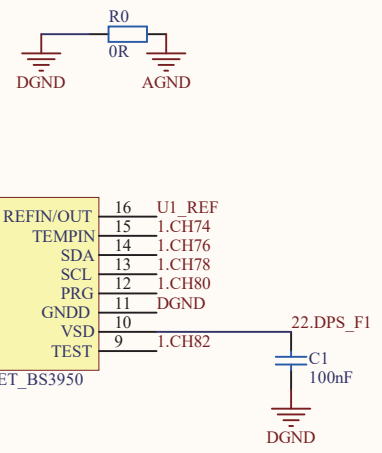
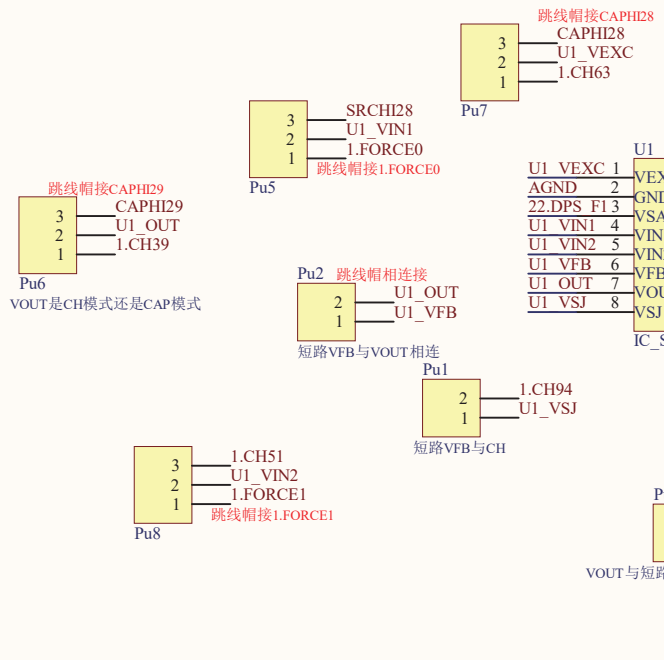
B

C

C

D

D



		S1 J5			
VP12	99	99	100	100	VP12
	97	97	98	98	
VP15	95	95	96	96	VP15
	93	93	94	94	
VN15	91	91	92	92	VN15
	89	89	90	90	
	87	87	88	88	
	85	85	86	86	
	83	83	84	84	
	81	81	82	82	
	79	79	80	80	
	77	77	78	78	
AGND	75	75	76	76	AGND
17.3 CAP	73	73	74	74	17.3 DGS
AGND	71	71	72	72	AGND
17.3 VD	69	69	70	70	17.3 SD
17.3 FD	67	67	68	68	17.3 FD
AGND	65	65	66	66	AGND
17.3 VC	63	63	64	64	17.3 SC
17.3 FC	61	61	62	62	17.3 FC
AGND	59	59	60	60	AGND
17.3 VB	57	57	58	58	17.3 SB
17.3 FB	55	55	56	56	17.3 FB
AGND	53	53	54	54	AGND
17.3 VA	51	51	52	52	17.3 SA
17.3 FA	49	49	50	50	17.3 FA
AGND	47	47	48	48	AGND
17.2 CAP	45	45	46	46	17.2 DGS
AGND	43	43	44	44	AGND
17.2 VD	41	41	42	42	17.2 SD
17.2 FD	39	39	40	40	17.2 FD
AGND	37	37	38	38	AGND
17.2 VC	35	35	36	36	17.2 SC
17.2 FC	33	33	34	34	17.2 FC
AGND	31	31	32	32	AGND
17.2 VB	29	29	30	30	17.2 SB
17.2 FB	27	27	28	28	17.2 FB
AGND	25	25	26	26	AGND
17.2 VA	23	23	24	24	17.2 SA
17.2 FA	21	21	22	22	17.2 FA
AGND	19	19	20	20	AGND
	17	17	18	18	
	15	15	16	16	
	13	13	14	14	
	11	11	12	12	
	09	09	10	10	
	07	07	08	08	
VP24A	05	05	06	06	VP24B
	03	03	04	04	
VR24A	01	01	02	02	VR24B

TFM-150-32-L-D-A

1

2

3

4